



Nissan Patrol Y62 MY2020+ (Series 5) Offroad Animal Lower Bash Plate Fitting Instructions



IMPORTANT! – READ BEFORE INSTALLATION

- **This bash plate is designed to fit to vehicles fitted with Offroad Animal Cobra or Toro Front bars ONLY**
When installed in accordance with these instructions, the front protection bar does not affect the operation of the vehicles SRS airbags.
- This product must be installed exactly as per these instructions using only hardware supplied.
- Take a few moments to read instructions thoroughly before beginning work.
- In the event of damage to any bar component please contact OFFROAD ANIMAL to arrange repair/replacement of components.
- Do not use this product for any vehicle make or model other than that specified on these instructions.
- Do not remove labels from this product.
- This product and its fixings must not be modified in any way unless stated in these fitting instructions.
- The installation of this product is recommended for trained personnel.
- These instructions are correct at time of publication. OFFROAD ANIMAL cannot be held responsible for the impact of any changes subsequently made by the vehicle manufacturer. If you find something has changed please contact us to let us know!
- During installation it is the duty of the installer to check correct operation/clearances of all components.
- If Instructions are to be printed for reference in the workshop, it is recommended that they are printed in colour, for best legibility.

PARTS LISTING

IMPORTANT: Check all parts are present before beginning work! Contact OFFROAD ANIMAL if something is missing.

Main Parts – In the Box

Qty	Part Number	Description	Image
1	FB-NPT-Y62-19-PR-ASM5	Patrol Y62 Lower Front Bash Plate Assy	
2	B-1351	Patrol Y62 Front Underbody Protector - Front Support Bracket	

Small Parts – Contained in Small Parts Kit Bag

QTY.	PART NO.	DESCRIPTION
4	M8 HD FLAT WASHER	M8 FLAT WASHER - High Tensile 19x8x1.9mm
4	M8 X 25 HEX	Bolt Hex, M8X25x1.25, GR8.8 ZP
2	M10 x 20	Bolt Hex, M10X20x1.5, GR8.8 ZP
2	M10 FW LHD	WASHER, FLAT M10X28.5X2.5



TOOLS REQUIRED

The following tools will be required to install the product.

Hand Tools	Power Tools	Workshop Supplies
Metric Socket Set 8-19mm Metric Spanner Set 10-19mm Hex (Allen) Key Set 4-6mm	Electric/Air Impact Driver (Optional)	Nil

WORKSHOP SAFETY

It is the responsibility of the installer to always complete works in a safe manner. Make sure the following safety equipment is available and precautions are observed whilst fitting this product.

<p>Hearing Protection</p> 	<p>Always wear ear protection when using power tools.</p>
<p>Eye Protection</p> 	<p>Ensure eye protection is always worn when cutting or drilling.</p>
<p>Manual Handling</p> 	<p>Do not attempt to lift bar assemblies or rock sliders on your own.</p> <p>Always use two people to lift or use mechanical Lifting aid such as hydraulic lifting trolley.</p>
<p>Vehicle Support</p> 	<p>Always ensure vehicle is properly supported when working on it. Do not attempt to fit products whilst suspension work is being carried out. Do not work under a vehicle supported only by a jack.</p>



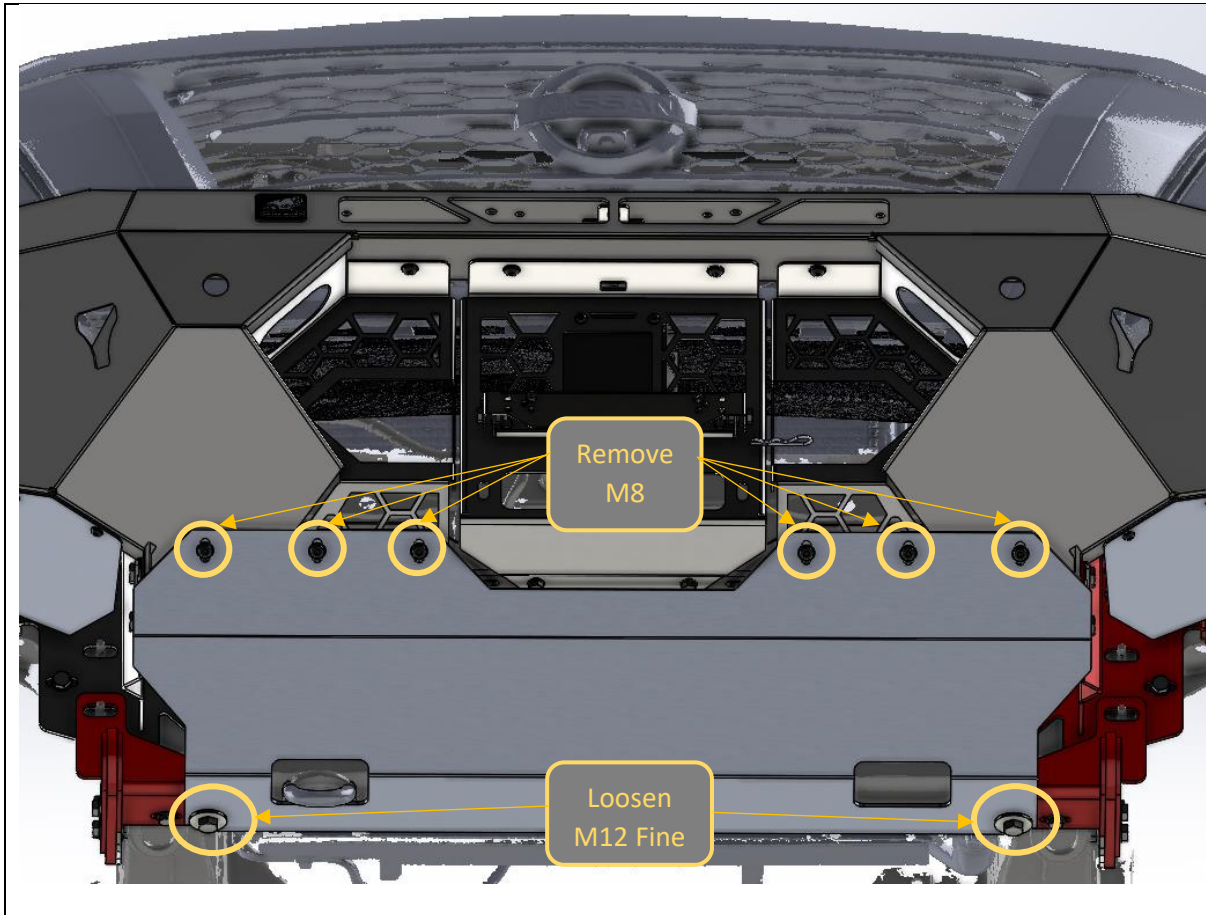
1. This product is designed to fit vehicles fitted with the Offroad Animal Cobra or Toro front bars. The plate can be fitted either during the front bar installation, or separately after the bar is installed.
2. The factory lower bash plate needs to be removed. Warrior style is shown in image, but Ti is similar. Remove factory lower bash plate by removing the M8 (13mm head) and M12 (18mm Head Warrior only) Flange head bolts.
3. Retain the factory flange head bolts for refitment.

TOOLS REQUIRED

18mm / 13mm Socket

FASTENERS

Retain Factory



4. If fitting to vehicle with existing Cobra or Toro front bar, the center bash plate needs to be removed from the bar / vehicle.
5. Loosen but don't remove the two lower M12 fine pitch bolts. Remove the 6x M8 Button head bolts. Once top bolts are out slide the bash plate forward to remove from the vehicle.
6. If fitting during a bar installation, complete the following steps in lieu of the center bash plate install steps.

TOOLS REQUIRED

5mm Hex Key
18mm Spanner / Socket

FASTENERS

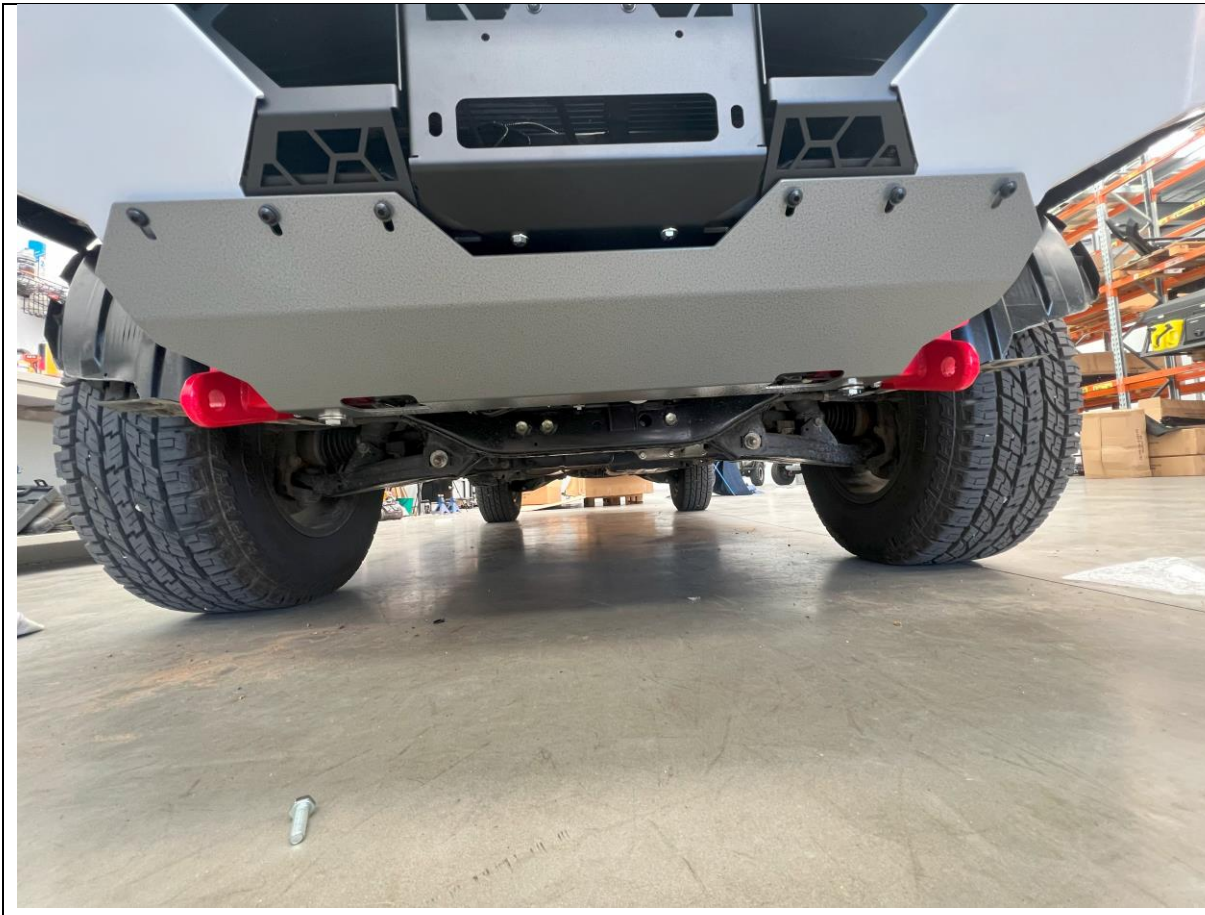


7. Fit the 2x Lower Bash Plate support brackets to the M8 threaded points in the front chassis crossmember.
8. Leave bolts finger tight, such that it is possible to slide the brackets side to side on their slots.

TOOLS REQUIRED

FASTENERS

M8x25 Hex Head Bolts
M8 Flat Washer



9. Fit the center bash plate to the bar, slide the lower end over the lower M12 bolts, ensure the washer is below the bash plate. Fit 6x M8 Button head bolts finger tight only.

Ensure the bash plate being fitted is the correct revision, with two slots present on the lower edge. Updated center bash plate will be supplied with retrofit kits.

10. Leave bolts loose at this stage.

TOOLS REQUIRED

FASTENERS

6x M8x20 Black Button Head
6x M8 Black Flat washer



11. Align the lower bash plate support brackets with the slots in the center bash plate.
12. Once aligned, tighten the M8 bolts securing the lower bash plate support brackets to the chassis using a 13mm Spanner.

TOOLS REQUIRED

13mm Spanner

FASTENERS



13. Fit the lower bash plate to the vehicle. Slide the front over the Loosened M12 Fine pitch bolts, Ensuing the flat washers sit below the bash plate.

14. Secure the back of the bash plate to the M8 threaded points in the Chassis using the Factory M8 Flange head bolts.

TOOLS REQUIRED

13mm Socket

FASTENERS

Factory M8 Flange Head Bolts



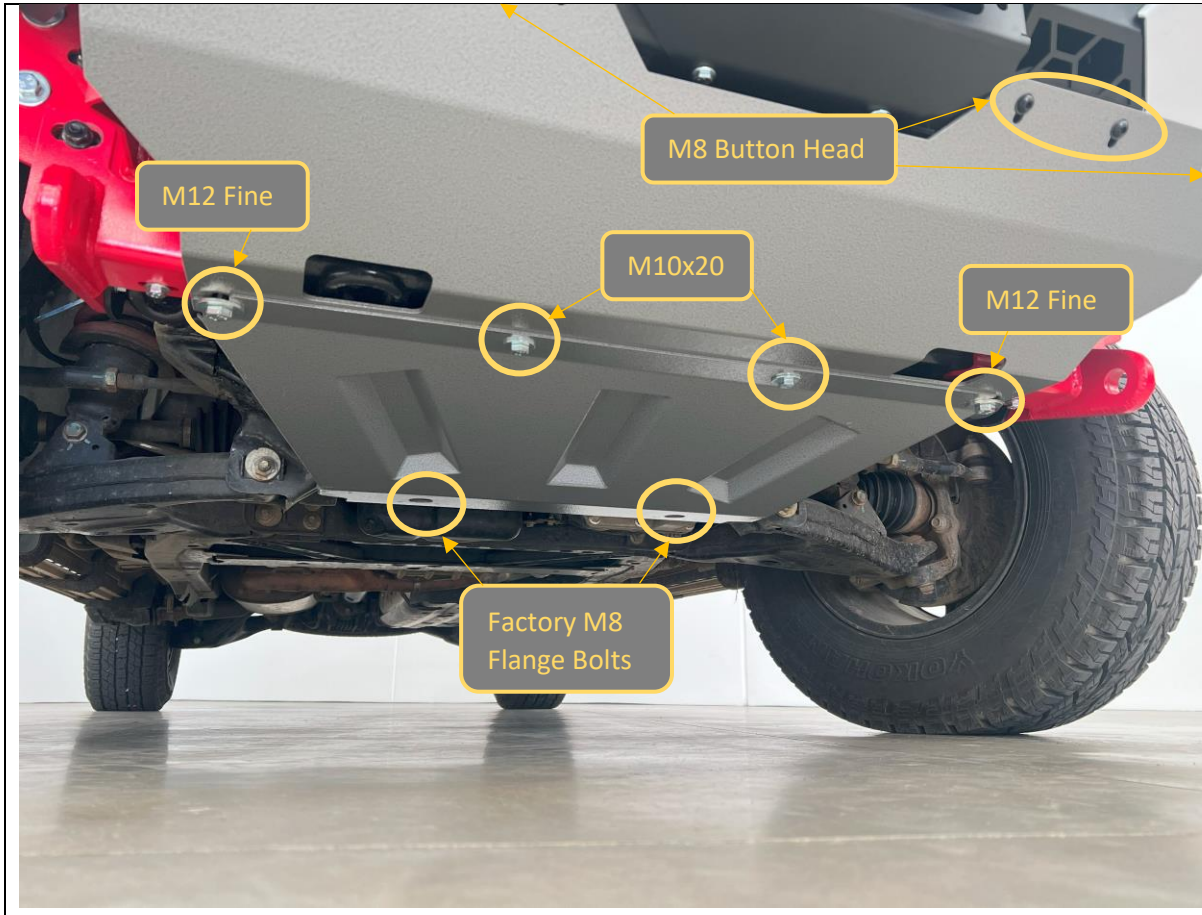
15. Secure the lower bash plate to the bash plate support brackets using M10x20 Hex bolts and M10 HD flat washers supplied with lower bash plate kit.

TOOLS REQUIRED

16mm socket

FASTENERS

2x M10x20 Hex Bolt
2x M10 HD Flat Washer



16. Tighten all bolts, in the following order

- 1- M12 Fine pitch bolts
- 2- Factory M8 Flange Bolts
- 3- M10x20 bolts and
- 4- M8 Button head bolts

TOOLS REQUIRED

- 18mm Socket
- 16mm Socket
- 13mm Socket

- 5mm Hex Key

FASTENERS



17. If fitting to vehicle with existing bar install, you are now done!
18. If fitting during bar installation, continue installation following front bar fitting instructions after the center bash plate install steps.
19. Head Bush and Enjoy your newly protected Patrol!

For contact details see www.offroadanimal.com.au