



Jeep Grand Cherokee WL and L Overland & Trailhawk (incl. 4xe) 2022-on Tactical / Round Nudge Bar

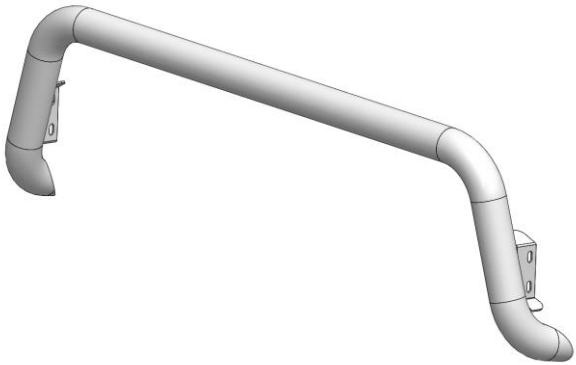

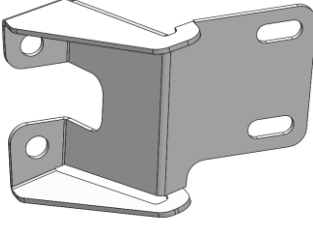
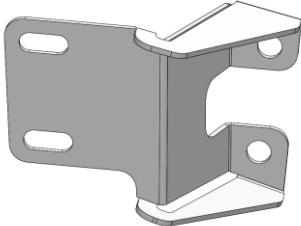
IMPORTANT! – READ BEFORE INSTALLATION

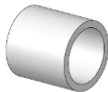
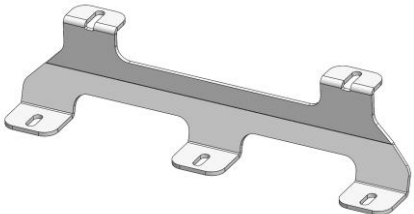
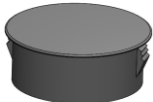
- When installed in accordance with these instructions, the front protection bar does not affect the operation of the vehicles SRS airbags.
- This product must be installed exactly as per these instructions using only hardware supplied.
- Take a few moments to read instructions thoroughly before beginning work.
- In the event of damage to any bar component please contact OFFROAD ANIMAL to arrange repair/replacement of components.
- Do not use this product for any vehicle make or model other than that specified on these instructions.
- Do not remove labels from this product.
- This product and its fixings must not be modified in any way unless stated in these fitting instructions.
- The installation of this product is recommended for trained personnel.
- These instructions are correct at time of publication. OFFROAD ANIMAL cannot be held responsible for the impact of any changes subsequently made by the vehicle manufacturer. If you find something has changed please contact us to let us know!
- During installation it is the duty of the installer to check correct operation/clearances of all components.
- If Instructions are to be printed for reference in the workshop, it is recommended that they are printed in colour, for best legibility.

PARTS LISTING

IMPORTANT: Check all parts are present before beginning work! Contact OFFROAD ANIMAL if something is missing.

Main Parts – In the Box

Qty	Part Number	Description	Image
1	NB-JGC-WL-22-ASM1	WL Round Nudge Bar Welded Assy	
OR			
1	NB-JGC-WL-22-ASM2	WL Tactical Nudge Bar Welded Assy	
1	B-0900R	WL Nudge Bar Chassis Bracket	
1	B-0900L	WL Nudge Bar Chassis Bracket	

4	T-0065	WL Nudge Bar Crush Tube Spacer 16mm	
TACTICAL NUDGE BAR ONLY			
2	B-0904	WL Stealth Nudge Bar Centre Gusset	
4	CPHP020	Plasitc Hole Insert, 28MM, Black, Tigerlink Hardware CPHP020	

ROUND Nudge Bar Fasteners – Contained in Small Parts Kit Bag

Qty	Part Number	Description
4	M10 x 25 BLACK ZINC	Bolt Hex, M10X25x[1.5], GR8.8 ZP, ISO4042 ZnNi BLACK PASSIVATED FINISH
4	M10 FW LHD BLACK ZINC	WASHER, FLAT M10X28.5X2.5, ISO4042 ZnNi BLACK PASSIVATED FINISH
4	M10 FLANGE NUT	Flange Nut, M10x1.5 G8.8 ZP
4	M12X55	Bolt Hex, M12X55x1.75, GR8.8 ZP
4	M12 FLAT WASHER	M12 FW
4	M12 FLANGE NUT	Flange Nut, M12x1.75 G8.8 ZP

TACTICAL Nudge Bar Fasteners – Contained in Small Parts Kit Bag

Qty	Part Number	Description
10	M6x16 BHCS BLACK ZINC	SCREW, BUTTON HEAD CAP, M6X16X1 GR12.9, ISO4042 ZnNi BLACK PASSIVATED FINISH
10	M6 FLAT WASHER BLACK ZINC	M6 Flat Washer, 12x6.1x1, ISO4042 ZnNi BLACK PASSIVATED FINISH
10	M6 FLANGE NUT	Flange Nut, M6x1 G8.8 ZP
4	M10 x 30	Bolt Hex, M10X30x[1.5], GR8.8 ZP
4	M10 FW LHD	WASHER, FLAT M10X28.5X2.5
4	M10 FLANGE NUT	Flange Nut, M10x1.5 G8.8 ZP
4	M12X55	Bolt Hex, M12X55x1.75, GR8.8 ZP
4	M12 FLAT WASHER	M12 FW
4	M12 FLANGE NUT	Flange Nut, M12x1.75 G8.8 ZP

TOOLS REQUIRED

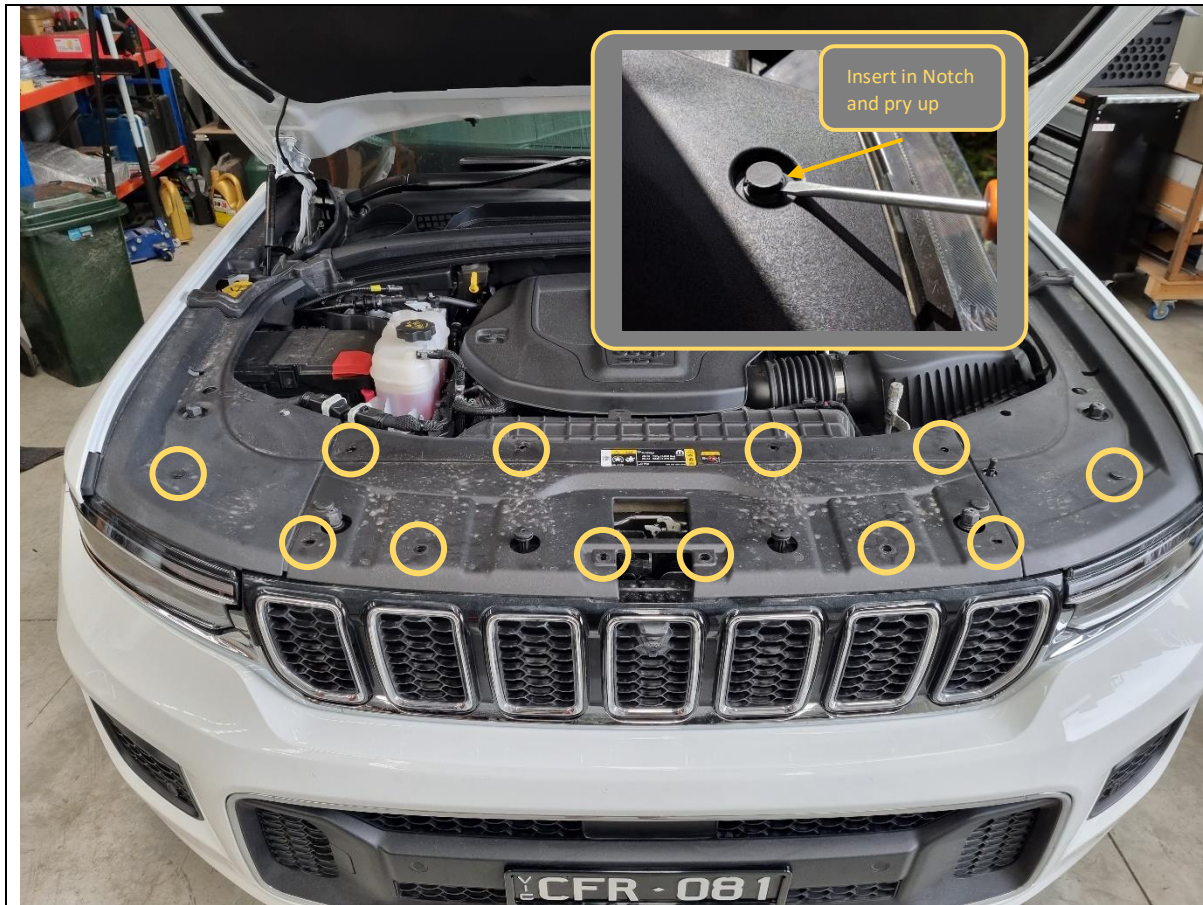
The following tools will be required to install the product.

Hand Tools	Power Tools	Workshop Equipment
Metric Socket Set 8-19mm Socket Extension Bar Metric Spanner Set 8-19mm Torx Key Set Flat blade screwdriver Trim tool 10mm drill bit	Electric/Air Impact Driver (Optional) Angle Grinder Air Hacksaw or Oscillating Multi Tool or Jigsaw Electric drill	Masking Tape Marker Pen Cable Ties

WORKSHOP SAFETY

It is the responsibility of the installer to always complete works in a safe manner. Make sure the following safety equipment is available and precautions are observed whilst fitting this product.

<p>Hearing Protection</p> 	<p>Always wear ear protection when using power tools.</p>
<p>Eye Protection</p> 	<p>Ensure eye protection is always worn when cutting or drilling.</p>
<p>Manual Handling</p> 	<p>Do not attempt to lift bar assemblies or rock sliders on your own.</p> <p>Always use two people to lift or use mechanical Lifting aid such as hydraulic lifting trolley.</p>
<p>Vehicle Support</p> 	<p>Always ensure vehicle is properly supported when working on it. Do not attempt to fit products whilst suspension work is being carried out. Do not work under a vehicle supported only by a jack.</p>



This product is designed to work in conjunction with the Offroad Animal Pre Runner, Recovery Points and Hidden Winch Mount.

Please read and familiarise yourself with ALL fitting instructions for the products you are installing prior to commencing.

1. Open the bonnet.
2. Remove 12x plastic push rivets by levering center section upwards using flat bladed screwdriver or trim tool, as shown.
3. Lift and remove the radiator cover.

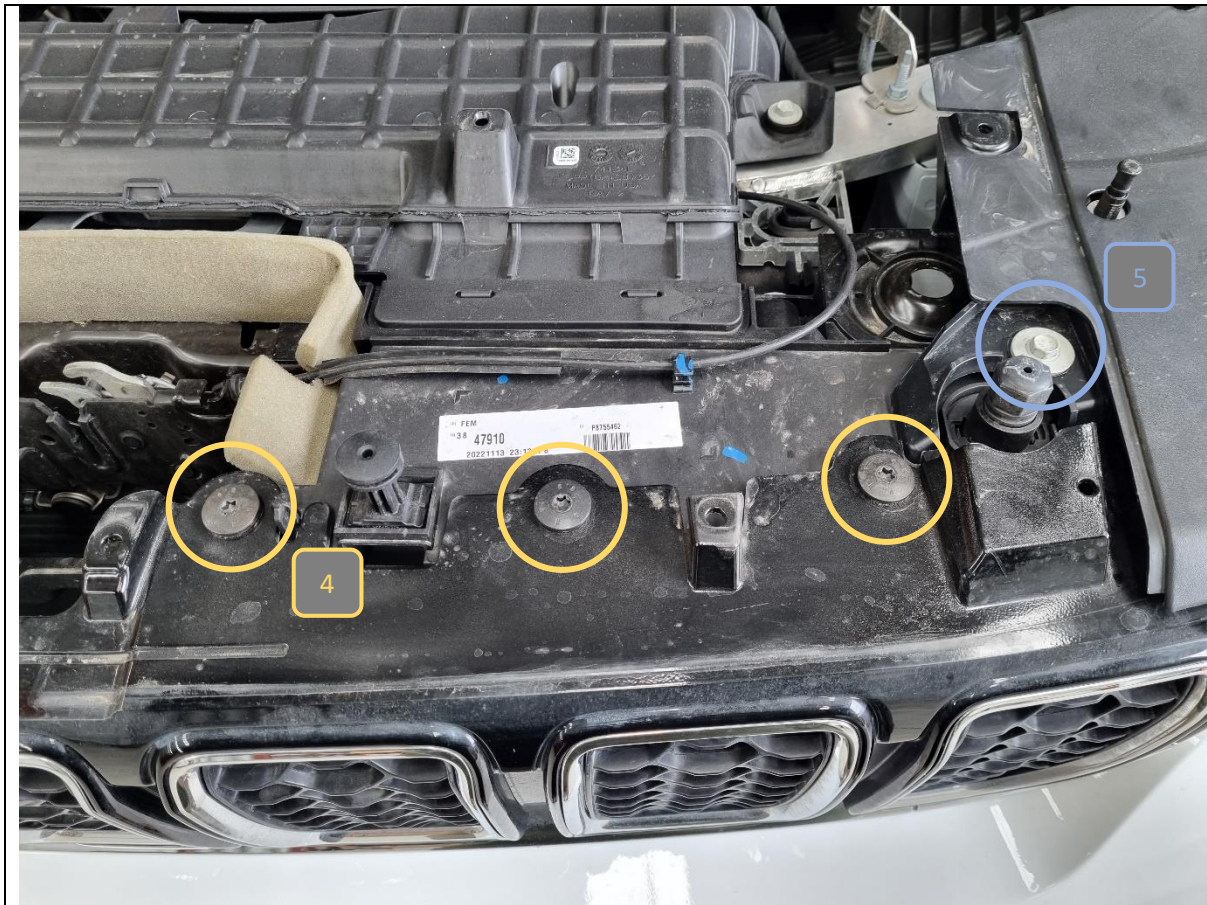
TOOLS REQUIRED

Flat Blade Screwdriver
or
Trim Tool

FASTENERS

12x Plastic Push Rivets

Retain for Reassembly



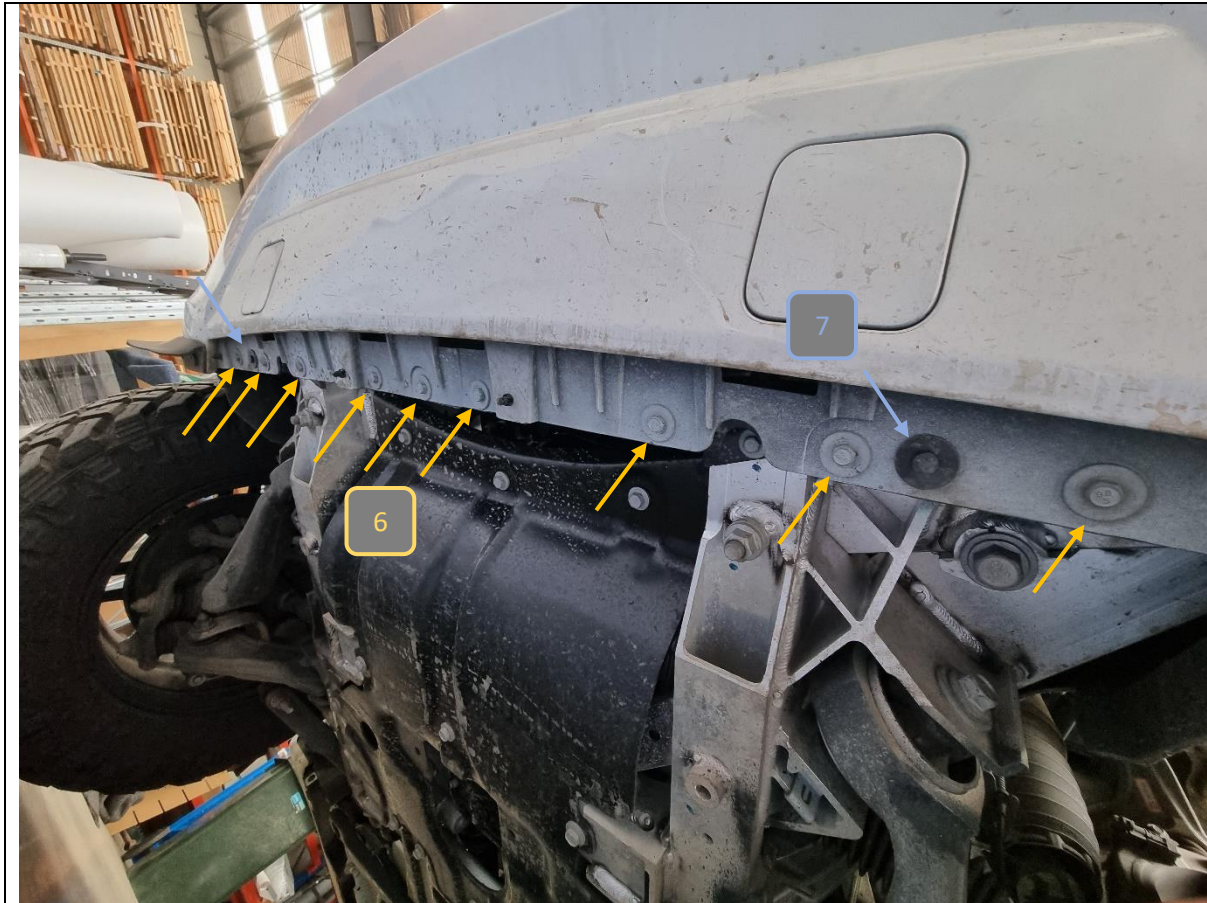
4. Remove 6x T40 Torx screws from the top of the grille.
5. Remove 2x 10mm hex head bolts from the top of the grille.

TOOLS REQUIRED

T40 Torx driver
10mm socket/spanner

FASTENERS

6x T40 Torx screws
2x 10mm hex head bolts
Retain for Reassembly



6. Remove 9x 10mm hex head bolts from the bottom of the bumper.

7. Remove 2x plastic push rivets from the bottom of the bumper.

Please note the bolt arrangement on the Trailhawk may be different to the Overland shown. In any case, remove all fasteners on the bottom of the bumper.

TOOLS REQUIRED

10mm socket/spanner

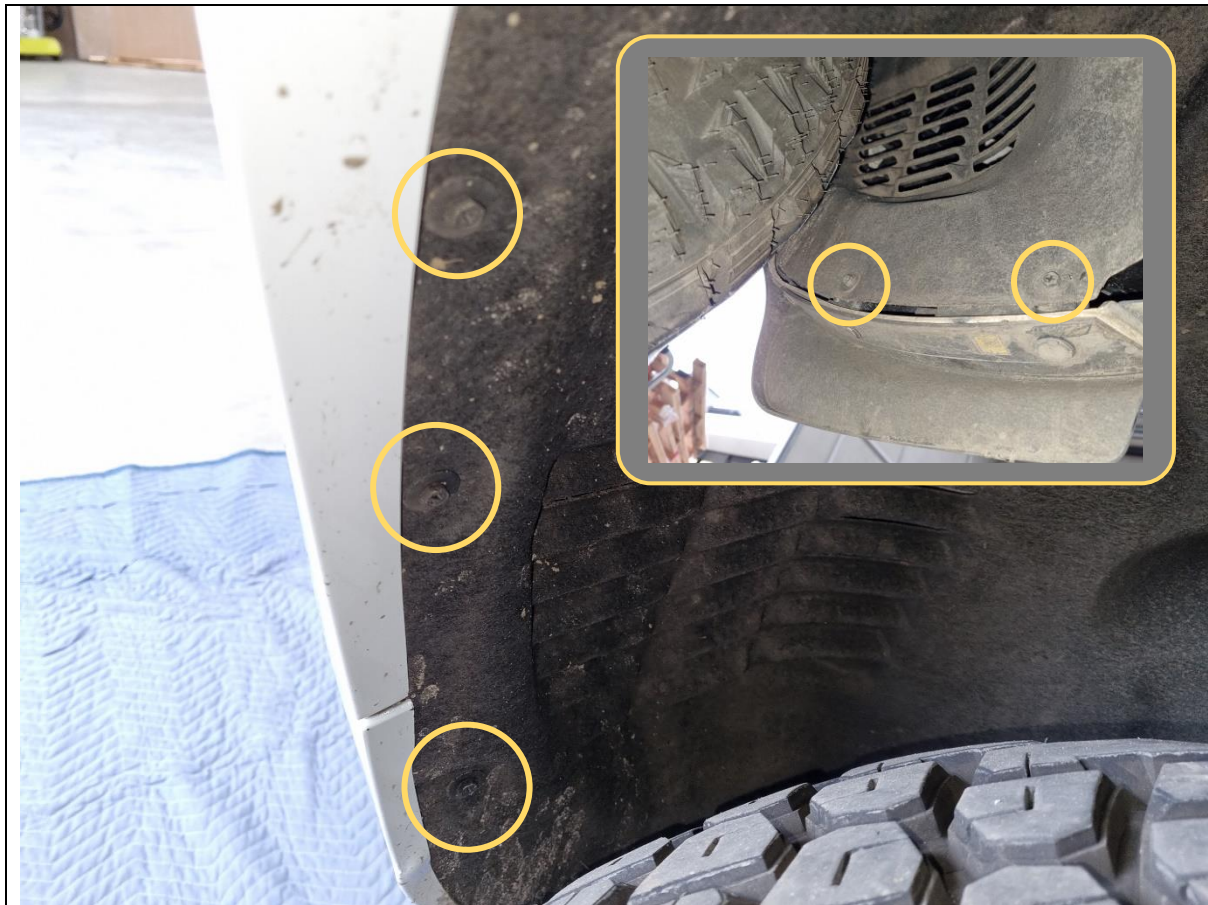
Flat Blade Screwdriver
or
Trim Tool

FASTENERS

9x 10mm hex head bolts

2x Plastic Push Rivets

Retain for Reassembly



8. On each side, remove 5x 8mm hex head screws securing the wheel arch liner to the bumper.

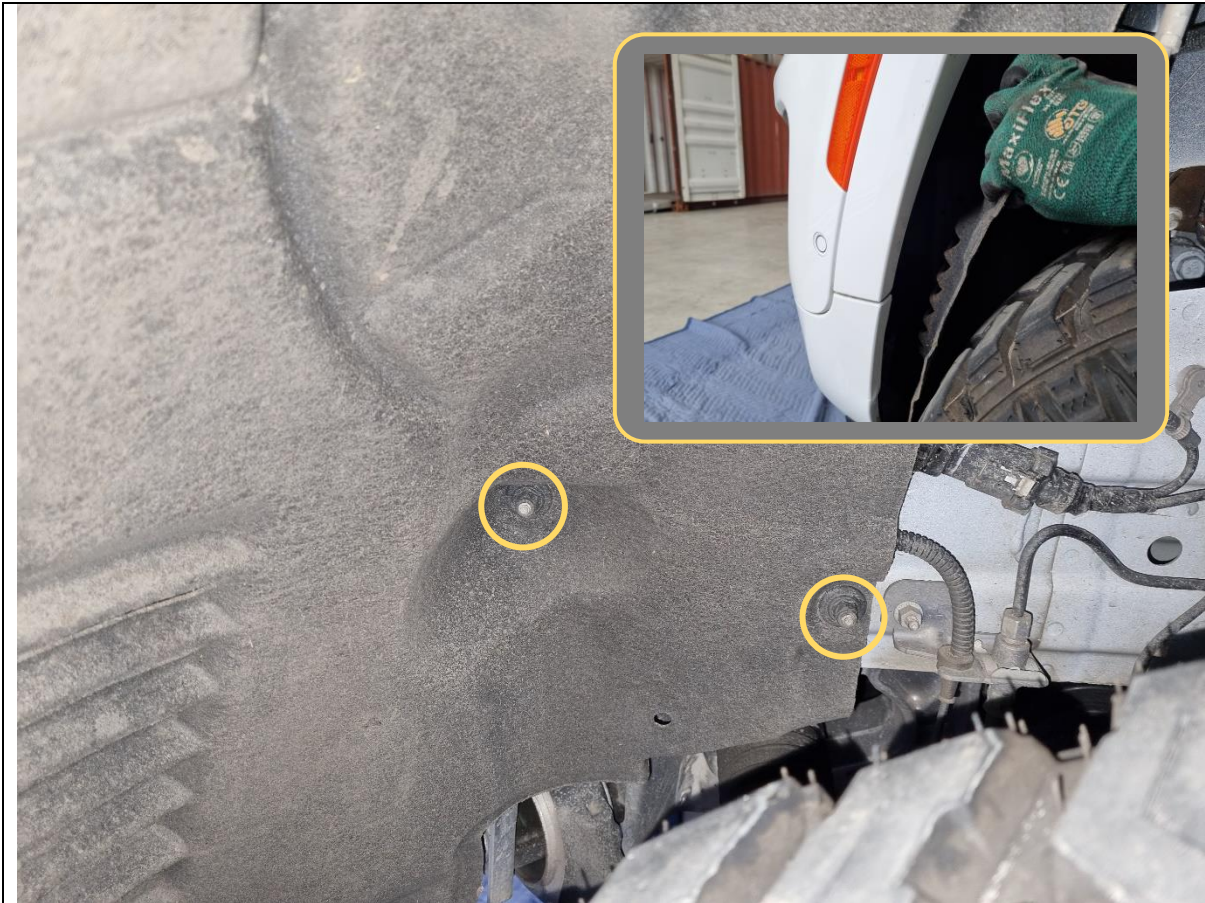
TOOLS REQUIRED

8mm socket/spanner
or
Phillips Head screwdriver

FASTENERS

5x 10mm hex head bolts

Retain for Reassembly



9. Remove at least 3x of the black plastic nuts securing the wheel arch liner to the body using a 10/11mm socket.

10. Pull down on the front half of the wheel arch liner to expose the inside of the bumper.

Note: Fully removing the wheel arch liner will make it easier for fitment later but is not mandatory.

TOOLS REQUIRED

10/11mm socket

FASTENERS

Plastic nuts

Retain for Reassembly



11. Pull and release the clips retaining the flare to the bumper + quarter panel.

It is easiest to insert an 8mm socket on the inside and push the trim clips outwards (see inset photos).

12. Use a rag to protect the flare and to prevent it from flapping around.

TOOLS REQUIRED

8mm socket (optional)

Rag

FASTENERS



13. On both sides, remove the 10mm hex head bolt securing the bumper to the quarter panel.

14. Disconnect sensor looms, camera loom and washer hoses on both sides of the bumper (see inset photos).

There should be 1x sensor loom plug each side, a camera loom plug on the LH, and washer hose on the RH.

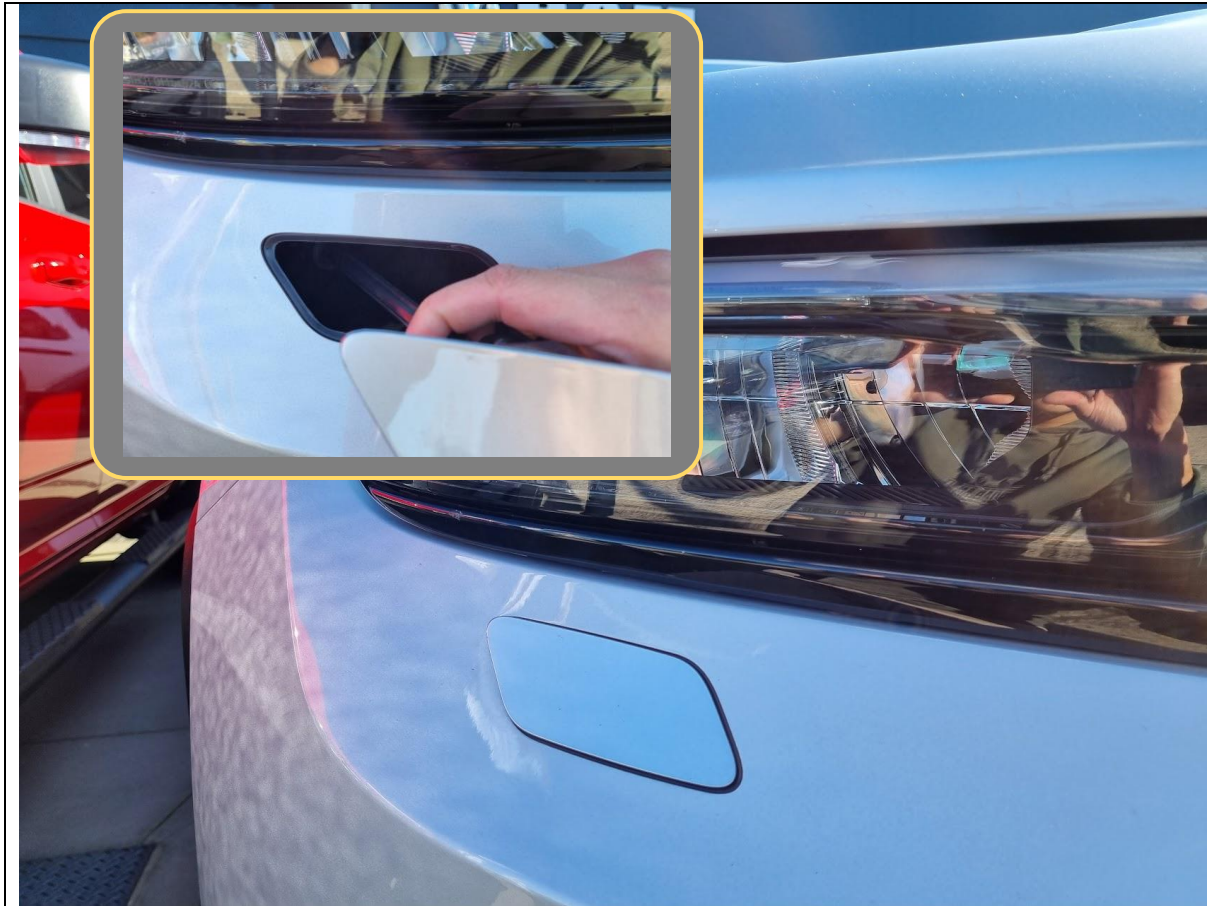
TOOLS REQUIRED

10mm socket

FASTENERS

2x 10mm hex head bolts

Retain for Reassembly



15. If headlight washers are equipped, pull out the plastic cover cap and unclip it from the plastic washer stem.

TOOLS REQUIRED

FASTENERS



16. Remove the bumper by releasing the clips on either side and lifting the top flap of the grille over the bonnet rubber stops.

TOOLS REQUIRED

FASTENERS



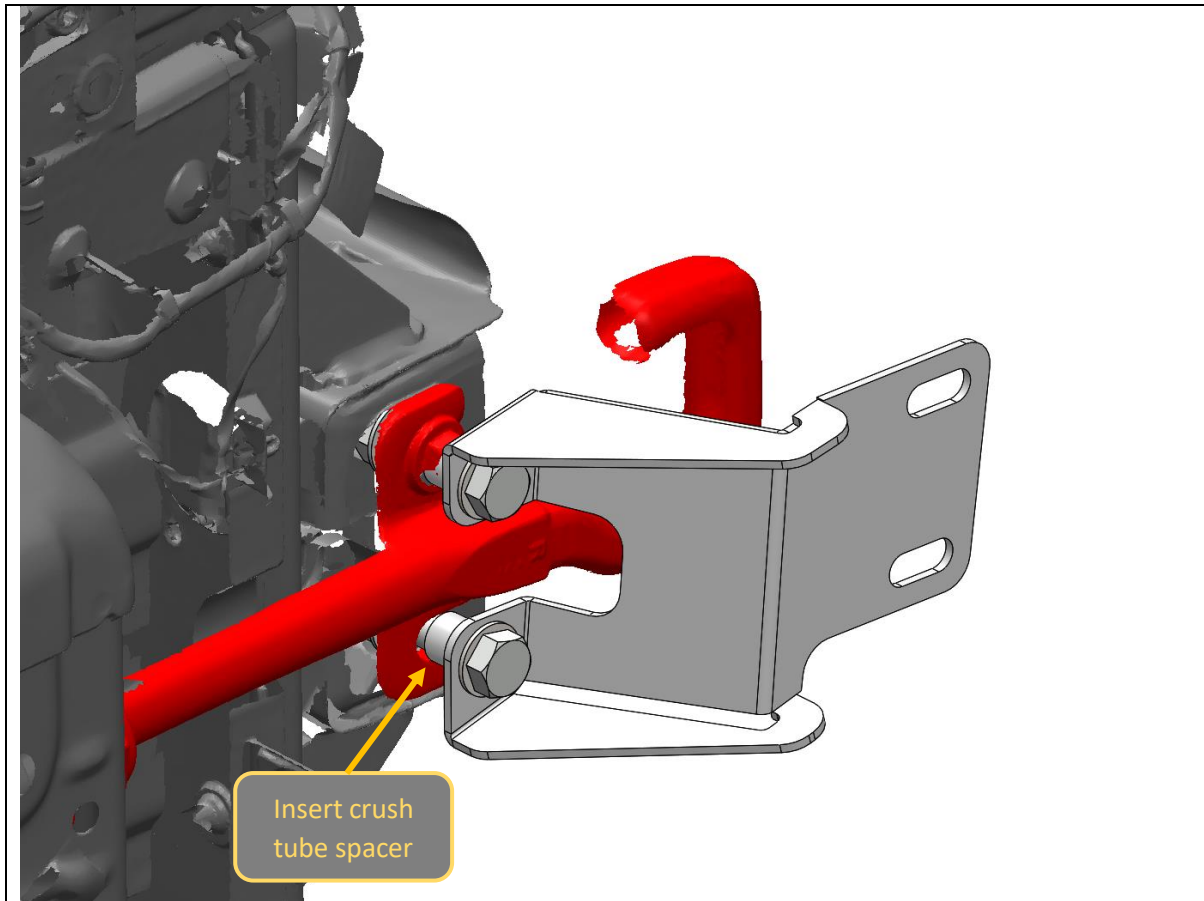
- 17. The Offroad Animal Pre Runner is designed to mount to either the genuine Jeep tow hooks or Offroad Animal Recovery Points.
- 18. If Offroad Animal Recovery Points are to be used, install the recovery points now. Refer to recovery point fitting instructions for installation procedure.
- 19. If factory tow hooks are being used, remove the 2x 16mm hex head bolts on each side.

TOOLS REQUIRED

16mm socket/spanner

FASTENERS

4x 16mm hex bolts



20. If using genuine Jeep tow hooks, install the nudge bar chassis bracket to the outside of the tow hooks.
21. Use 2x 16mm crush tube spacers in between the bracket and tow hook.
22. If the stock impact beam is still being used, re-use the factory 16mm hex head bolts to secure the bracket.
23. If bolting to the Offroad Animal Hidden Winch Mount bracket, use the provided M12x55 hex head bolts, washers and nuts.
24. Repeat for other side.

TOOLS REQUIRED

16mm socket/spanner
or
18/19mm socket/spanner

FASTENERS

4x 16mm hex head bolts
or
4x M12x55mm hex head bolts
4x M12 flat washers
4x M12 flange nuts



25. If using the Offroad Animal Recovery Points, bolt the nudge bar chassis bracket to the outside of the recovery point using the provided M12x55 hex head bolts, washers and nuts. Do this on both sides.

TOOLS REQUIRED

18/19mm socket/spanner

FASTENERS

4x M12x55mm hex head bolts
4x M12 flat washers
4x M12 flange nuts



- 26. The bumper needs to be cut to clear the nudge bar chassis brackets.
- 27. Mark out a 100mm long x 10mm wide slot using the image above as reference.

TOOLS REQUIRED

- Marker pen
- Masking tape

FASTENERS



28. Unclip the loom behind the marked area and secure to the side and out of the way with cable ties.

TOOLS REQUIRED

Trim tool
or
Flat head screwdriver

Cable ties

FASTENERS



29. Use a 10mm drill bit and drill 2x holes at each end of the marked slot.

TOOLS REQUIRED

Corded/cordless Drill

10mm drill bit

FASTENERS



30. Using a jigsaw or other cutting tool, cut out the area marked.

TOOLS REQUIRED

Jigsaw
or
Air hacksaw
or
similar

FASTENERS



- 31. Use a utility knife to clean up the edges of the cut.
- 32. If also fitting Offroad Animal Recovery Points, Pre Runner or Hidden Winch Mount, now is the time to make the bumper cuts required for those accessories. Refer to respective fitting instructions for details.

TOOLS REQUIRED

Utility knife

FASTENERS



- 33. Refit the trimmed bumper back onto the vehicle. Re-trim if necessary to get the nudge bar mounts to poke through.
- 34. Reconnect all looms and washer hose lines. Re-fit flares, inner wheel guards and radiator covers in reverse order to disassembly.

TOOLS REQUIRED

16mm socket/spanner

FASTENERS

4x 16mm hex bolts



<p>35. Fit any extra accessories such as lights or radio antennas to the nudge bar now. Please note mounting accessories on top of the middle of the nudge bar may obscure the vision of the front camera.</p>	<p>TOOLS REQUIRED</p>
<p>36. Accessories can be mounted to the round nudge bar using clamp style bull bar tube mounting brackets. The tube specification is 63.5mm, so a 60-65mm size clamp should be compatible.</p>	<p>FASTENERS</p>



- 37. The tactical nudge bar is designed to accommodate the Offroad Animal Slim 32" LED light bar with the mounting feet facing inwards. Other similar 32" size light bars should fit but are not confirmed.
- 38. The tactical nudge bar also has holes and slots on the top face to mount driving lights and radio antennas.

TOOLS REQUIRED

FASTENERS



39. Fit the 2x Tactical Nudge Bar centre gussets to the back of the Tactical Nudge Bar, using 5x M6x16 black button head bolts, black flat washers and flange nuts on each gusset.

TOOLS REQUIRED

4mm hex/Allen key

FASTENERS

10x M6x16 black button head
10x M6 black flat washer
10x M6 flange nut



- 40. Fit the nudge bar to the mounts.
- 41. The round nudge bar fits in between the mount brackets.
- 42. Loosely secure with 2x M10x25 hex bolts, flat washers and flange nuts per side.

TOOLS REQUIRED

16mm socket/spanner

FASTENERS

4x M10x25 hex bolt
4x M10 flat washer
4x M10 flange nut



- 43. The Tactical Nudge Bar fits over the outside of the mount brackets.
 - 44. Loosely secure with 2x M10x30 hex bolts, flat washers and flange nuts per side.
- Note: It is easiest to use a socket to hold the M10 hex bolt and guide it in to the hole.

TOOLS REQUIRED

16mm socket/spanner

FASTENERS

4x M10x30 hex bolt
4x M10 flat washer
4x M10 flange nut



- 45. Adjust the nudge bar on its slots so that it is sitting level. The top surface should be just below the bottom edge of the grille.
- 46. Once happy with alignment, tighten the nudge bar bolts.

TOOLS REQUIRED

16mm socket/spanner

FASTENERS



47. For the Tactical Nudge Bar, plug the bolt access holes with the supplied plastic plugs for a sleek finish.

TOOLS REQUIRED

FASTENERS



Congratulations! You're done! Go overlanding and enjoy your newly protected Grand Cherokee.

Why not complete the tough look of the Grand Cherokee front end with the Offroad Animal Hidden Winch Mount and Pre Runner?