



Jeep Grand Cherokee WK2

2011-2019

Roof Rack

IMPORTANT! – READ BEFORE INSTALLATION

- This product must be installed exactly as per these instructions using only hardware supplied.
- Take a few moments to read instructions thoroughly before beginning work.
- In the event of damage to any component please contact OFFROAD ANIMAL to arrange repair/replacement of components.
- Do not use this product for any vehicle make or model other than that specified on these instructions.
- Do not remove labels from this product.
- This product and its fixings must not be modified in any way unless stated in these fitting instructions.
- The installation of this product is recommended for trained personnel.
- These instructions are correct at time of publication. OFFROAD ANIMAL cannot be held responsible for the impact of any changes subsequently made by the vehicle manufacturer. If you find something has changed please contact us to let us know!
- During installation it is the duty of the installer to check correct operation/clearances of all components.
- If Instructions are to be printed for reference in the workshop, it is recommended that they are printed in colour, for best legibility.
- Fitting Time: 2 hours
- This Rack is rated to 120kg dynamic (driving) load and 240kg static (sitting still)

PARTS LISTING

IMPORTANT: Check all parts are present before beginning work! Contact OFFROAD ANIMAL if something is missing.

Main Parts – In the Box

Qty	Part Number	Description	Image
1	B-0005R	WK2 ROOF RACK SIDE RH	
1	B-0005L	WK2 ROOF RACK SIDE LH	
1	B-0008	WK2 ROOF RACK PANEL 1	
1	B-0009	WK2 ROOF RACK PANEL 2	
1	B-0010	WK2 ROOF RACK PANEL 3	
1	B-0011	WK2 ROOF RACK PANEL 4	
1	B-0012	WK2 ROOF RACK PANEL 5	

1	B-0007	ROOF RACK WIND DEFLECTOR	
1	B-0013L	WK2 ROOF RACK REAR PANEL LH	
1	B-0013R	WK2 ROOF RACK REAR PANEL RH	
1	B-0121	ROOF RACK WIND DEFLECTOR BRACE	
1	P-0055	REAR JOINER	
1	RR-JGC-WK2-11-ASM2L	ROOF MOUNT LH	
1	RR-JGC-WK2-ASM2R	ROOF MOUNT RH	

Small Parts – Contained in Small Parts Kit Bag

Qty	Part Number	Description
2	OFA-LOGO	OFFROAD ANIMAL METAL LOGO
1	PINCH WELD BLACK 3M	PINCH WELD BLACK 14MM X 9MM X 3M
39	M6 FW BZ	M6 FLAT WASHER BLACK ZINC
39	M6 FN	M6 FLANGE NUT
34	M6X25 BHCS BZ	M6 X 26 BUTTON HEAD CAP SCREW BLACK ZINC
5	M6 X 16 BHCS BZ	M6 X 16 BUTTON HEAD CAP SCREW BLACK ZINC
12	M6 X 20	M6 X 20 HEX ZINC 8.8
12	M6 MUD WASH	M6 MUD GUARD WASHER
12	M8 CN	M8 CAGE NUT

12	M8 FW	M8 FLAT WASHER
12	M8 X 25	M8 X 25 HEX BOLT ZINC 8.8
12	M8 SW	M8 Spring Washer

TOOLS REQUIRED

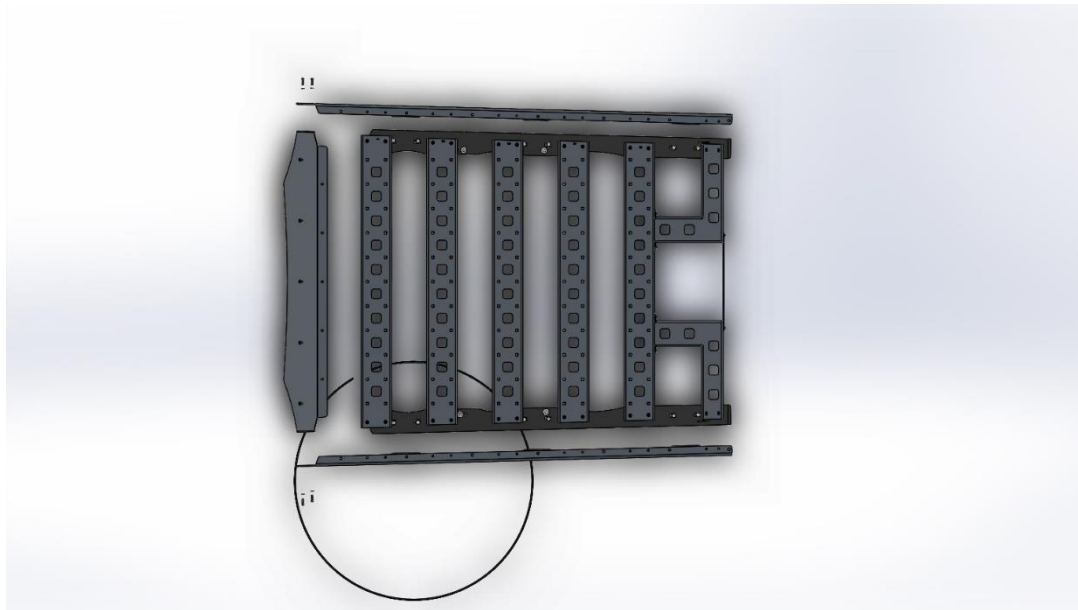
The following tools will be required to install the product.

Hand Tools	Power Tools	Workshop Equipment
<ul style="list-style-type: none"> -T30 Torx Bit -10mm Spanner -10mm Socket and ratchet driver -13mm Spanner -13mm Socket and ratchet driver -4mm Allen Key -Side Cutters 		<p>WD40</p>

GENERAL WARNINGS

This Rack is rated to 120kg dynamic (driving) load and 240kg static (sitting still)

Feel free to mount a Roof Top tent up here



1. Lay all parts out as shown ready to be bolted together. Panels are labeled with numbers 1-5, with 1 being towards the front. As can be seen, the entire rack is dove tailed to suit Jeeps roof. Front is wider than back.

Tools Required

Fasteners



2. Remove factory rails on both sides. 4 screws in each. Once all screws have been removed pull forward then lift.

Tools Required

T30 Torx Bit

Fasteners

Retain only if you want to refit these later



3. Lift off Rails and save only if you want to reuse later. Otherwise discard or sell. Clean roof as it's always filthy under there.

TOOLS REQUIRED

FASTENERS



4. Fit Pinch weld to short edge of roof rails. Trim excess off with side cutters

TOOLS REQUIRED

Side cutters

FASTENERS



5. Fit nutserts as shown in both rails (6 per rail). You can use needle nose plyers or screwdriver to push one end of cage in from side

TOOLS REQUIRED

Needle nose plyers or flat head screw driver

FASTENERS

M8 Nutserts (12)



6. Lift steel rail onto roof as shown. Repeat for other side

TOOLS REQUIRED

FASTENERS



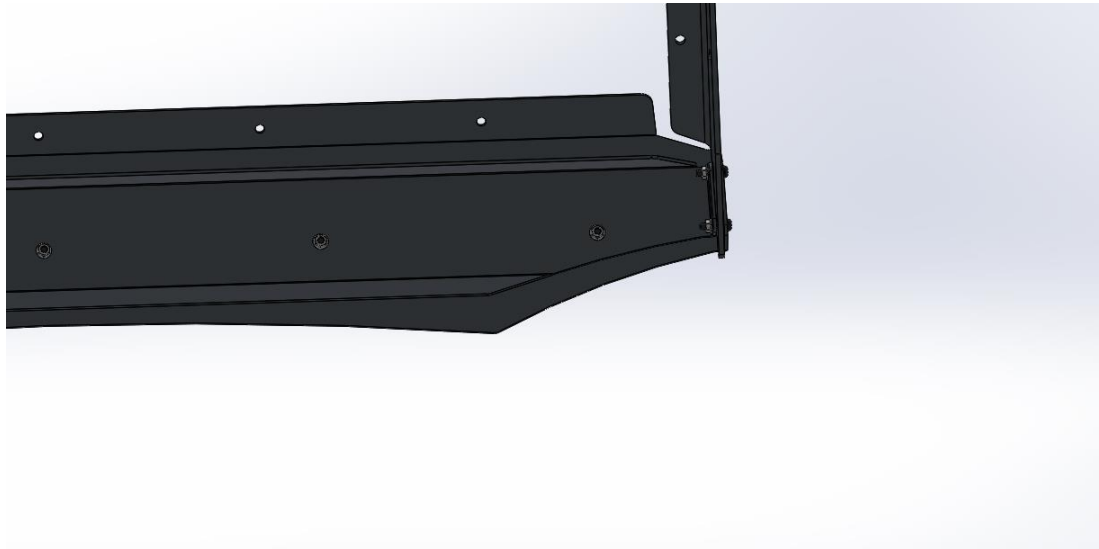
7. Loosely fit Rails to roof with M6 Hex bolts and mud guard washers. Do not torque down yet. 6 per side. Take care not to strip thread, and advised to spray WD40 or similar in thread first.

TOOLS REQUIRED

WD40

FASTENERS

M6 x 20 Hex bolts (12)
M6 mud guard washers (12)



8. Fig Deflector brace to deflector using M6 x 16 button head cap screws washers and flange nuts.
9. Fit Wind Deflector to side rails using M6 x 25 button head cap screws washers and flange nuts
- 10. You may need to put some washers as spacers to ensure these screws torque up nice and tight. Use up to 2 washer per screw if required.**

TOOLS REQUIRED

4mm Allen Key
10mm Spanner

FASTENERS

M6x16 BHCS (5)
M6 x 25 BHCS (4)
M6 washers black (9)
M6 flange nuts (9)



11. Bolt rest of rack together with M6 x 25 button head cap screws, washers and flange nuts

TOOLS REQUIRED

4mm Allen Key
10mm Spanner

FASTENERS

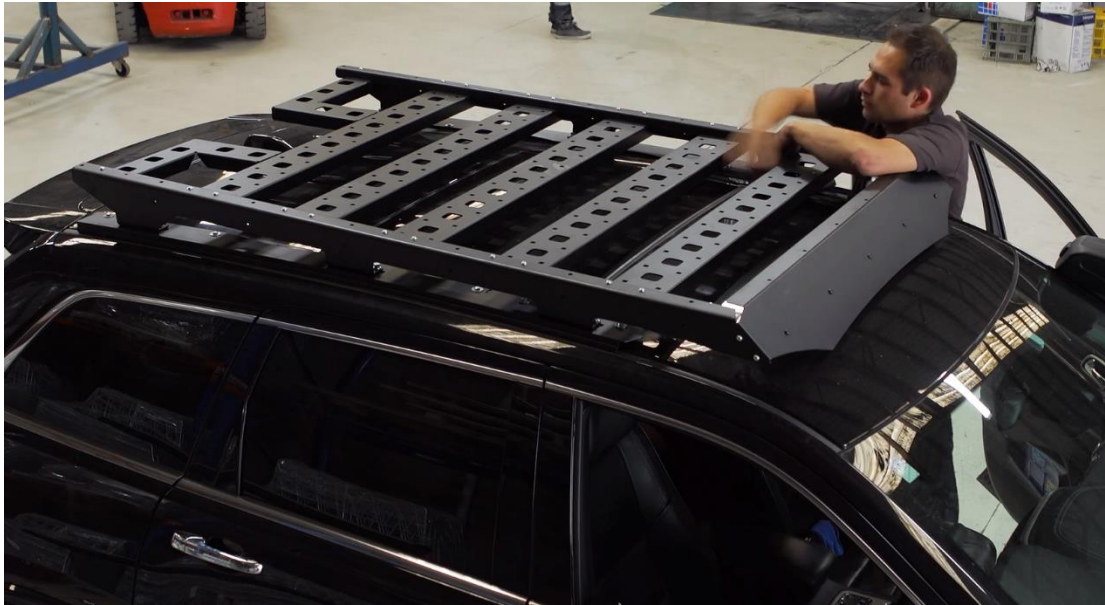
M6 x 25 BHCS (28)



12. With the help of a friend lift roof rack on to Jeep

TOOLS REQUIRED

FASTENERS



13. Loosely fit M8 bolts spring washers and washers through rack into nutserts fitted to steel rail

TOOLS REQUIRED

FASTENERS

- M8 x 25 hex bolts (12)
- M8 Flat Washers (12)
- M8 Spring Washers (12)

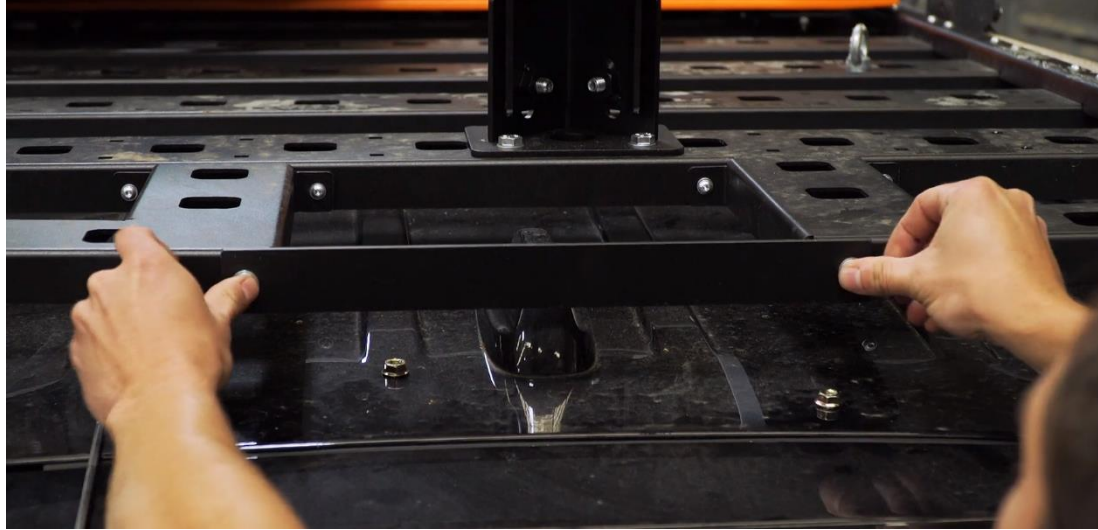


14. Position rack, and ensure all fasteners are threaded in, then torque down each M8 and M6 fastener

TOOLS REQUIRED

10mm Spanner
13mm Spanner

FASTENERS



15. Fit rear secure bar with M6 x 25 button head cap screws washers and flange nuts and torque down

TOOLS REQUIRED

4mm Allen Key
10mm Spanner

FASTENERS

M6 x 25 BHCS (2)
M6 flat washers (2)
M6 flange nuts (2)



- 16. The base rack is now on. Feel free to mount all matter of goodies up there. Offroad Animal has dedicated accessories to fit which can be found on our website www.offroadanimal.com or www.offroadanimal.com.au
- 17. Competitor products will also fit, but may require drilling.
- 18. The small square holes in the panels are designed to fit an M10 cup head or coach bolt and lock into place with a nut above.

TOOLS REQUIRED

FASTENERS