



Scout Platform Rack FITTING INSTRUCTION

Universal Fit

IMPORTANT! – READ BEFORE INSTALLATION

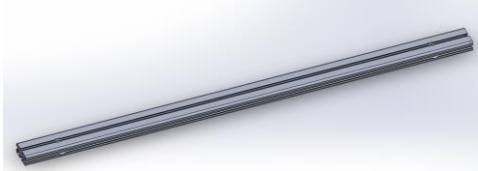
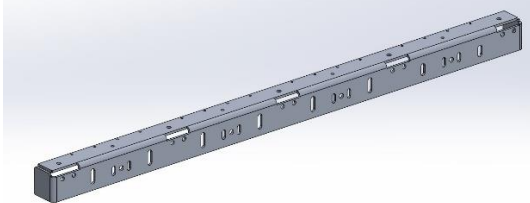
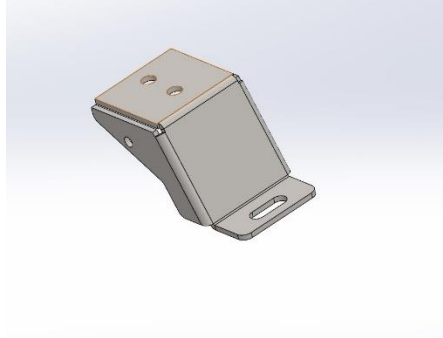
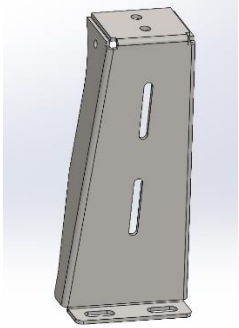
- Rated to 150kg driving and 300kg sitting still (evenly distributed,) however this will not up the rating of your tub, so that is the limiting factor and refer to vehicle manufacturer for tub rating.
- This product must be installed exactly as per these instructions using only hardware supplied.
- Take a few moments to read instructions thoroughly before beginning work.
- In the event of damage to any bar component please contact OFFROAD ANIMAL to arrange repair/replacement of components.
- Do not use this product for any vehicle make or model other than that specified on these instructions.
- Do not remove labels from this product.
- This product and its fixings must not be modified in any way unless stated in these fitting instructions.
- The installation of this product is recommended for trained personnel.
- These instructions are correct at time of publication. OFFROAD ANIMAL cannot be held responsible for the impact of any changes subsequently made by the vehicle manufacturer. If you find something has changed, please contact us to let us know!
- During installation it is the duty of the installer to check correct operation/clearances of all components.
- If Instructions are to be printed for reference in the workshop, it is recommended that they are printed in colour, for best legibility.



PARTS LISTING

IMPORTANT: Check all parts are present before beginning work! Contact OFFROAD ANIMAL if something is missing.

Main Parts – In the Box

Qty	Part Number	Description	Image
5 for full kit or 3 for short kit	E-0005 - XXXX	Scout Roof Rack – Cross Bar Extrusion Length will depend on which kit you get	
2	B-0754	Scout Platform side-Medium	
4 if you chose these feet	B-0753	Scout Platform flat foot (low)	
4 if you chose these feet	B-0790	Scout Platform flat foot (high)	



Small Parts – Contained in Small Parts Kit Bag

QTY.	PART NO.	DESCRIPTION
20	M8 X 20 BHCS BZP	SCREW, BUTTON HEAD CAP, M8X20X1.25 GR12.9 BLACK ZP
8	M8 X 12 BHCS BZP	SCREW, BUTTON HEAD CAP, M8X12X1.25 GR12.9 BLACK ZP
4 or 8	M8 x 40	Hex Bolt, M8x40x1.25 Gr 8.8 ZP
4 or 8	M6 FLAT WASHER BLACK ZINC	M6 FW BLACK ZP
4 or 8	M6x16 BHCS BLACK ZINC	SCREW, BUTTON HEAD CAP, M6X16X1 GR12.9 BLACK ZP
8	M8 Nut	Hex Nut, M8x1.25 G8.8 ZP
28	M8 FLAT WASHER- BLACK ZINC	M8 FW- BLACK ZINC
4 or 8	M8 NY	M8 Nyloc nut
2	OFA-LOGO	OFFROAD ANIMAL METAL LOGO



TOOLS REQUIRED

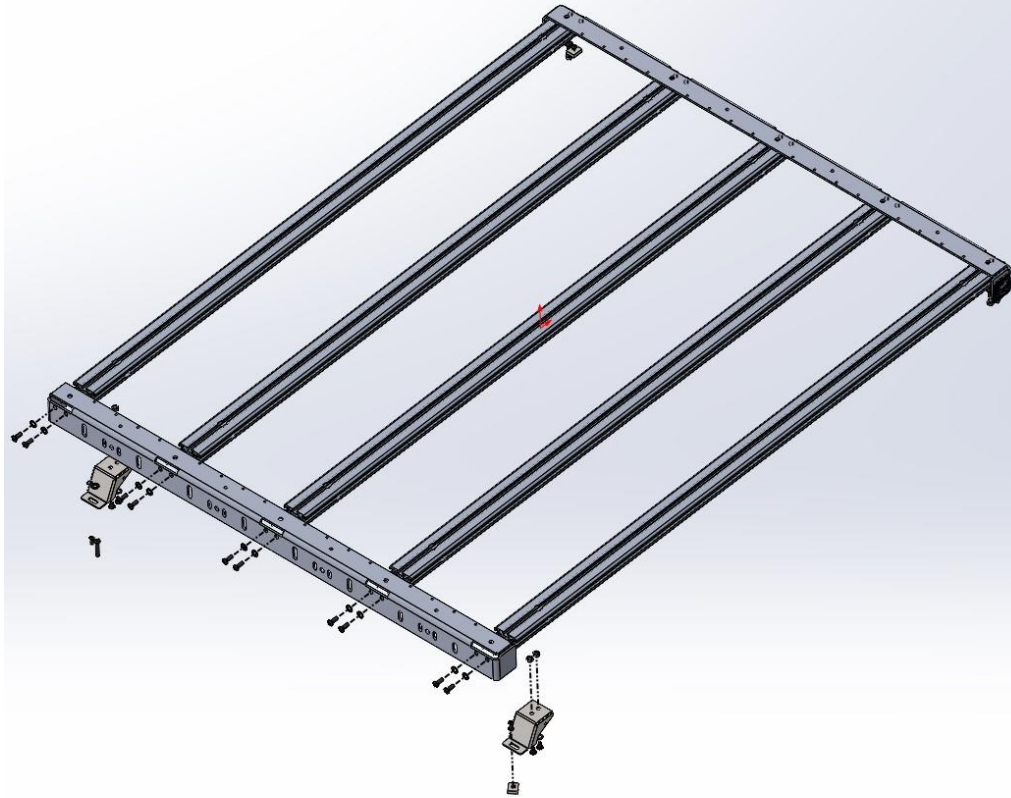
The following tools will be required to install the product. Note Extra Tools will be required for fitment of track kit. Refer to track kit

Hand Tools	Power Tools	Workshop Supplies
Metric Socket 10 and 13mm Socket Extension Bar Metric Spanner Set 10 and 13 Hex (Allen) Key Set 4-6mm	Depending on where installing, Powder Drill	

WORKSHOP SAFETY

It is the responsibility of the installer to always complete works in a safe manner. Make sure the following safety equipment is available and precautions are observed whilst fitting this product.

<p>Hearing Protection</p> 	<p>Always wear ear protection when using power tools.</p>
<p>Eye Protection</p> 	<p>Ensure eye protection is always worn when cutting or drilling.</p>
<p>Manual Handling</p> 	<p>Do not attempt to lift bar assemblies or rock sliders on your own.</p> <p>Always use two people to lift or use mechanical Lifting aid such as hydraulic lifting trolley.</p>
<p>Vehicle Support</p> 	<p>Always ensure vehicle is properly supported when working on it. Do not attempt to fit products whilst suspension work is being carried out. Do not work under a vehicle supported only by a jack.</p>



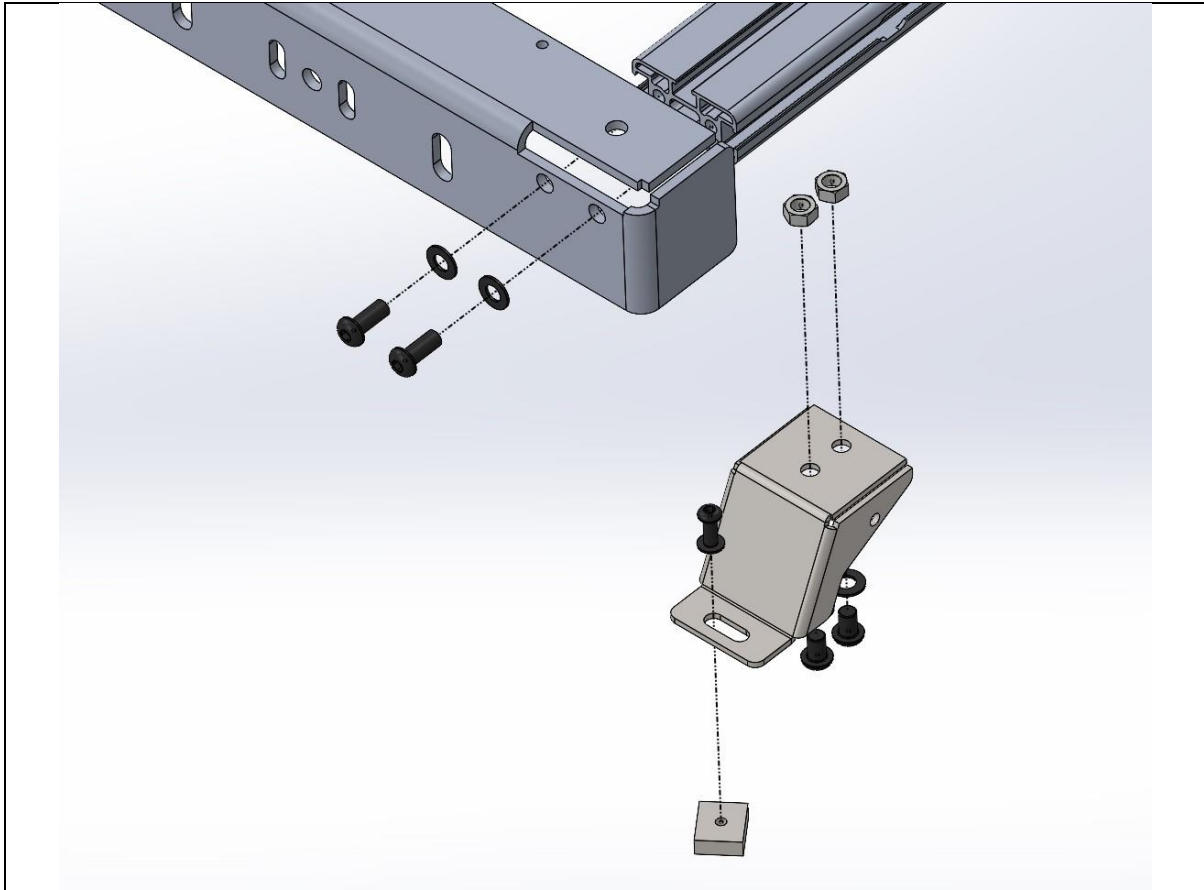
1. Assemble the rack as shown above with M8 hardware.

TOOLS REQUIRED

5mm Hex Key

FASTENERS

M8 x 20 BHCS (20)
M8 FW (20)



2. Fit feet to bottom of rails. We suggest the outside rails but you can move them inboard depending on your set up
3. Low feet shown, raised feet mount the same way.
4. Insert Nuts into the cutaway in the extrusion rails and slide to correct spot then fit screws
5. Measure mounting face on ute; be it T-Slots or just the lip of the bed and move feet to desired location and secure in place

TOOLS REQUIRED
5MM Hex Key

FASTENERS

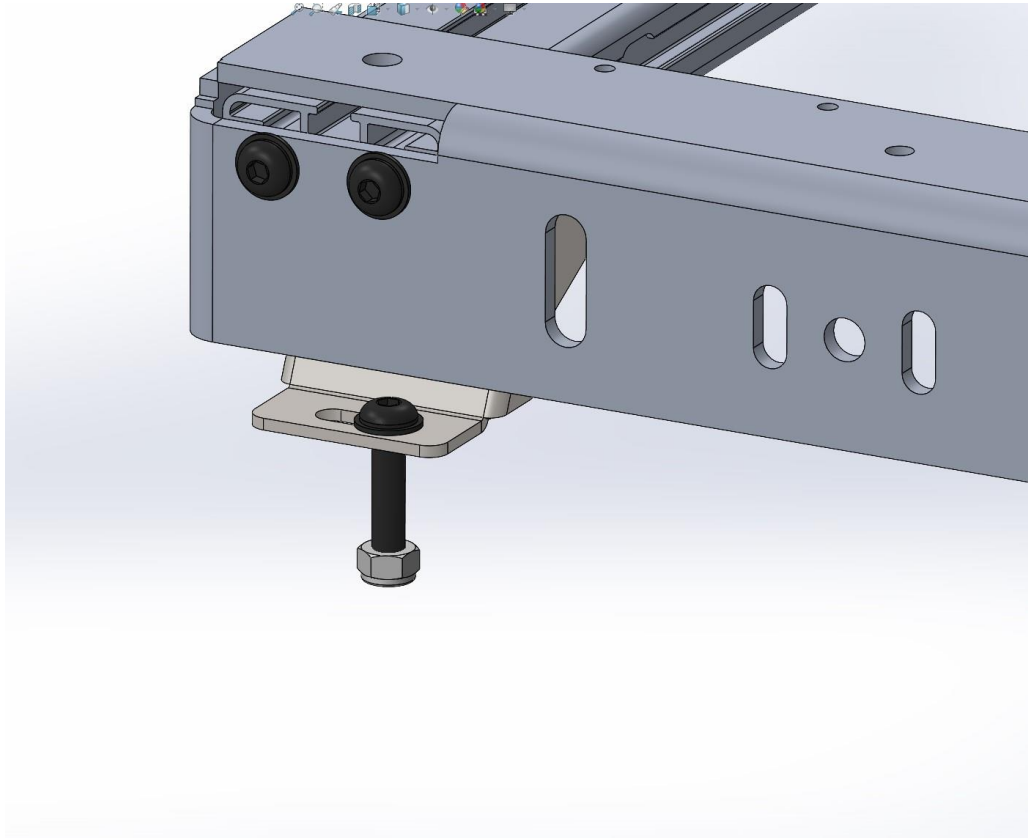
M8x12 BHCS (8).
M8 Flat Washer (8)



6. If fitting to a roller shutter then lift rack on to roller shutter. We supply square nuts that may fit your roller shutter, if not you can find out what nuts your roller shutter needs for its t-Slot from the roller shutter manufacturer.
7. Secure down to Roller shutter

TOOLS REQUIRED
5MM Allen Key

FASTENERS
Depends



8. If fitting to a tub with no roller shutter, place rack on top of tub and move feet to match the lip of the tub
9. Mark hole location, remove rack and drill holes to suit M8 bolts.
10. Refit rack and secure with bolts

TOOLS REQUIRED
Screwdriver

FASTENERS
5x M8 Nuts



11. Strap or bolt down any accessories you like

TOOLS REQUIRED

FASTENERS



12. You're done, go out and enjoy your rack

For contact details see www.offroadanimal.com.au