



RAM 1500 DT 2019-CURRENT
RR-R15-DT-19-SCT-ASMO
Scout Roof Rack
FITTING INSTRUCTION

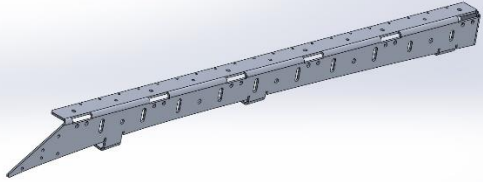
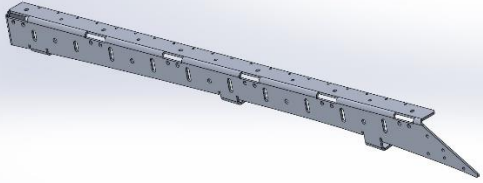
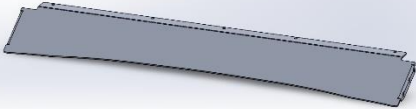
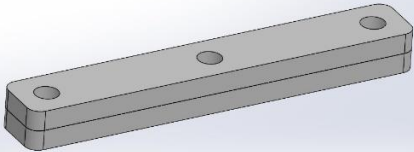
IMPORTANT! – READ BEFORE INSTALLATION

- This product must be installed exactly as per these instructions using only hardware supplied.
- Take a few moments to read instructions thoroughly before beginning work.
- In the event of damage to any component please contact OFFROAD ANIMAL to arrange repair/replacement of components.
- Do not use this product for any vehicle make or model other than that specified on these instructions.
- Do not remove labels from this product.
- This product and its fixings must not be modified in any way unless stated in these fitting instructions.
- The installation of this product is recommended for trained personnel.
- These instructions are correct at time of publication. OFFROAD ANIMAL cannot be held responsible for the impact of any changes subsequently made by the vehicle manufacturer. If you find something has changed please contact us to let us know!
- During installation it is the duty of the installer to check correct operation/clearances of all components.
- If Instructions are to be printed for reference in the workshop, it is recommended that they are printed in colour, for best legibility.

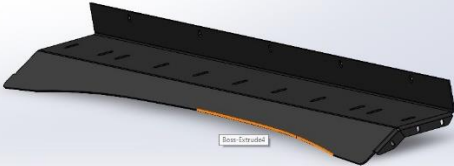
PARTS LISTING

IMPORTANT: Check all parts are present before beginning work! Contact OFFROAD ANIMAL if something is missing.

Main Parts – In the Box

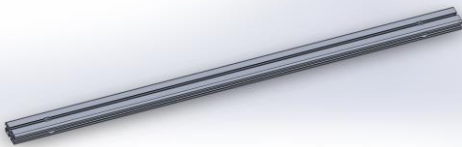
Qty	Part Number	Description	Image
1	B-0616L	SCOUT ROOF RACK SIDE RAIL, RAM 1500 DT LH	
1	B-0616R	SCOUT ROOF RACK SIDE RAIL, RAM 1500 DT RH	
1	B-0617	SCOUT ROOF RACK STD WIND DEFLECTOR RAM DT	
6	RR-IDM-RG-21-SCT-ASM2	DMAX SCOUT RACK-FRONT MOUNTING BLOCK	

Optional Light Bar Kit – Purchased Separately

Qty	Part Number	Description	Image
1	B-618	SCOUT ROOF RACK DT RAM LIGHT BAR WIND DEFLECTOR	



Cross Bar Kit

Qty	Part Number	Description	Image
6	E-0005-1375	Scout Roof Rack – Cross Bar Extrusion 1375MM	

Small Parts – Contained in Small Parts Kit Bag

QTY.	PART NO.	DESCRIPTION
17	M8 X 16 BHCS BZP	SCREW, BUTTON HEAD CAP, M8X16X1.25 GR12.9 BLACK ZP
61	M8 FLAT WASHER- BLACK ZINC	M8 FW- BLACK ZINC
17	M8 NUT	Hex Nut, M8x1.25 G8.8 ZP
24	M8 X 20 BHCS BZP	SCREW, BUTTON HEAD CAP, M8X20X1.25 GR12.9 BLACK ZP
6	M6 FLANGE NUT	Flange Nut, M6x1 G8.8 ZP
6	M6 FLAT WASHER BLACK ZINC	M6 FW BLACK ZP
10	M6x20 BHCS BLACK ZINC	SCREW, BUTTON HEAD CAP, M6X20X1 GR12.9 BLACK ZP
12	M8 Nutsert	M8 Nutsert
6	M8 X 25 HEX	Bolt Hex, M8X25X1.25, 8.8 Grd
12	M8 FLAT WASHER	M8 FW
12	M8 SW	M8 Spring washer
6	M8 FLANGE NUT	Flange Nut, M8x1.25 G8.8 ZP
12	M8 x 35 Hex	M8 x 35 x 1.25 Hex bolt Grd 8.8
2	OFA-LOGO	OFFROAD ANIMAL METAL LOGO



TOOLS REQUIRED

The following tools will be required to install the product. Note Extra Tools will be required for fitment of track kit. Refer to track kit

Hand Tools	Power Tools	Workshop Supplies
Metric Socket Set 8-19mm Metric Spanner Set 10-19mm Hex (Allen) Key Set 4-6mm Box Cutter/Knife Centre Punch 5mm Drill bit 11mm Drill bit	Power Drill Angle Grinder	Soft Blanket Rag Isopropyl Alcohol Non-Adhesive Automotive grade sealant

WORKSHOP SAFETY

It is the responsibility of the installer to always complete works in a safe manner. Make sure the following safety equipment is available and precautions are observed whilst fitting this product.

<p>Hearing Protection</p> 	<p>Always wear ear protection when using power tools.</p>
<p>Eye Protection</p> 	<p>Ensure eye protection is always worn when cutting or drilling.</p>
<p>Manual Handling</p> 	<p>Do not attempt to lift bar assemblies or rock sliders on your own.</p> <p>Always use two people to lift or use mechanical Lifting aid such as hydraulic lifting trolley.</p>
<p>Vehicle Support</p> 	<p>Always ensure vehicle is properly supported when working on it. Do not attempt to fit products whilst suspension work is being carried out. Do not work under a vehicle supported only by a jack.</p>



1. Place Masking tape on the roof either side of the gutter trim pieces.

TOOLS REQUIRED

Masking tape

FASTENERS



2. Using a tape measure, hook it from the edge of the trim piece on the back of the roof and measure forward. It will wrap around towards the back window a bit
3. Mark a line at 265mm and another at 410mm. Mark on the black trim as well as the masking tape

TOOLS REQUIRED

Tape measure
Texter marking pen

FASTENERS



4. Mark the next set of lines at 806mm and 955mm

TOOLS REQUIRED

Tape measure
Texter marking pen

FASTENERS



5. Mark the next lines going forward at 1300mm and 1450mm.

TOOLS REQUIRED

Tape measure
Texter marking pen

FASTENERS



6. Using a plastic trim tool or rag with a flat head screw driver (take care not to scratch the roof paint) pry up the trim section all the way along

TOOLS REQUIRED

Trim tool, rag

FASTENERS



7. Remove keeper pieces from roof and refit on to the trim section.

TOOLS REQUIRED

Flat head screw driver or trim tool

FASTENERS



8. Using an angle grinder cut the trim piece length removing the marked sections

TOOLS REQUIRED

Angle Grinder with cutting disc,
Safety glasses

FASTENERS



9. Section of the trim to be reinstalled, with keepers in place

TOOLS REQUIRED

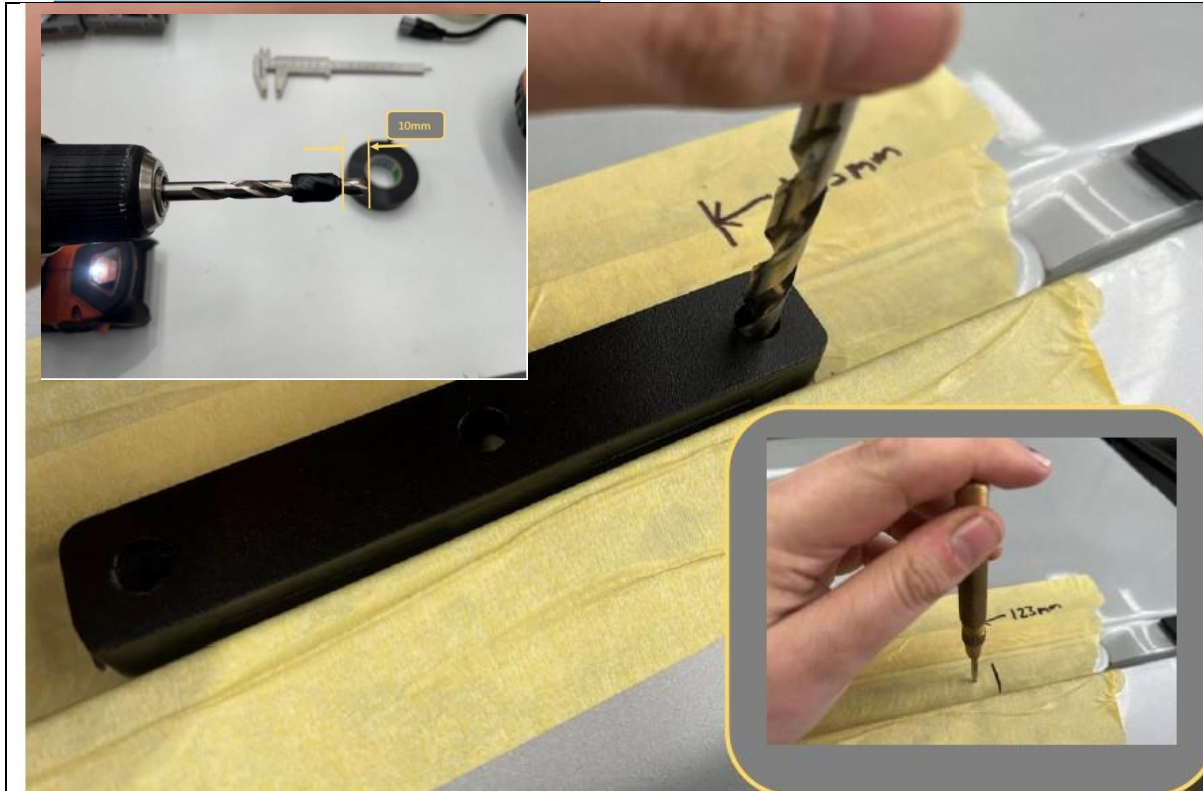
FASTENERS



10. Refit the trim as shown leaving the marked sections bare

TOOLS REQUIRED

FASTENERS



11. Place the mounting blocks in the gaps from the gutter sections
- 12. Confirm your blocks are in the correct position by holding up the roof rack side rail to the mounting blocks and having all the slots line up for mounting**
13. Adjust if necessary
14. Use 9mm drill bit and spin it by hand to mark the centre spot in the tape. Then remove and use a centre punch to mark the drill locations on roof (the outside holes on each block)
15. Use a drill stop or wrap many layers of tape on the drill bit so you can ensure only 10mm of drill bit pokes through the roof

TOOLS REQUIRED

Power Drill, drill stop or tape
Centre punch

FASTENERS



16. Drill the roof out to 11mm. Start with a pilot drill of 5mm. Ensure nutsert fits in each hole, you may need to drill through 2 layers of steel.

TOOLS REQUIRED

**5mm drill bit, 11mm drill bit,
power drill**

FASTENERS



17. Fit M8 Nutserts to each hole (6 per side.) Ensure each one is tight
18. Repeat steps 1-16 for the other side

TOOLS REQUIRED

5MM Hex Key

FASTENERS

M8 nutserts (12)



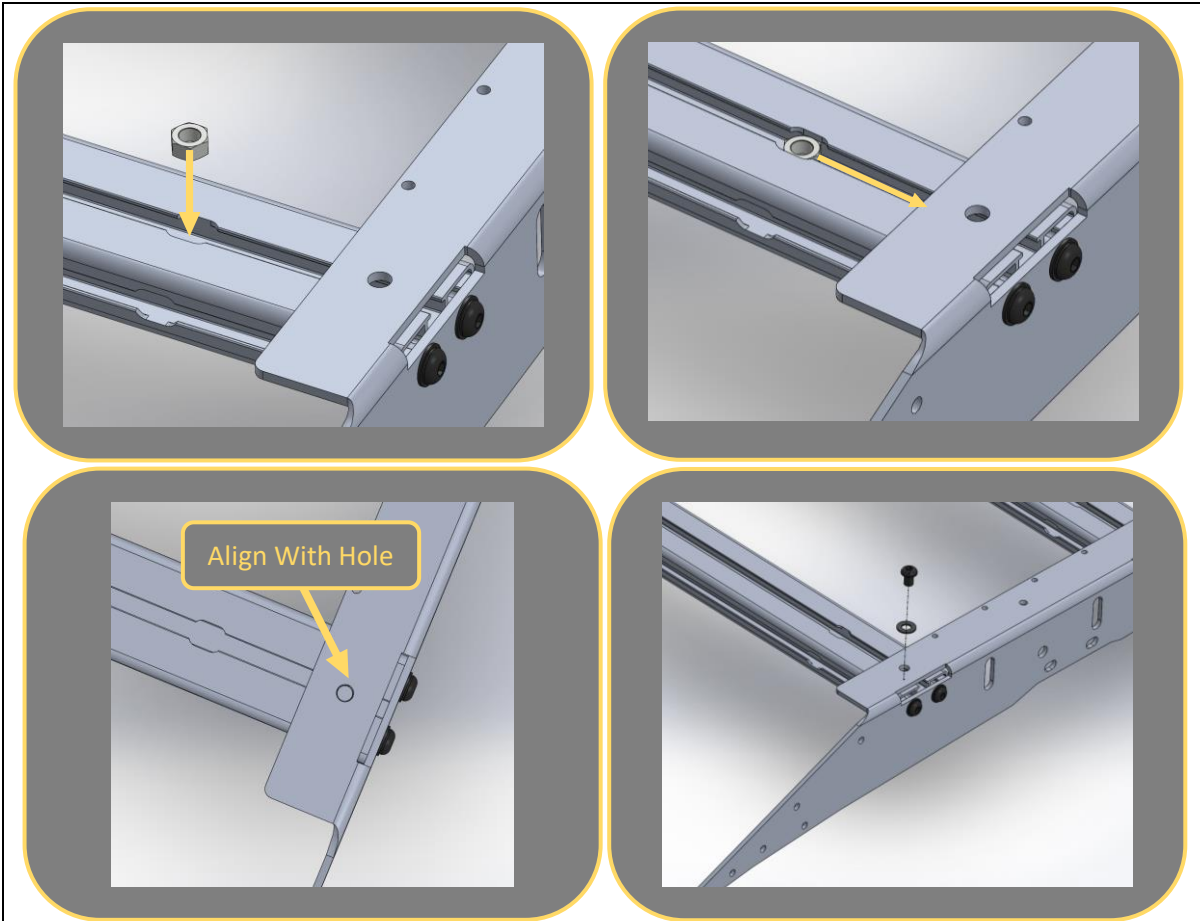
19. Apply some automotive sealant around each nutsert and along the length of the block then fit the block with an M8x25 bolt facing up through the middle, and secure down to nutserts with M8x35 hex bolts washers and spring washers.
20. Now it's time to put the roof rack together

TOOLS REQUIRED

Non-Adhesive Automotive Sealant

FASTENERS

M8x25 Hex
M8 x 35 Hex
M8 flat washers
M8 spring washers

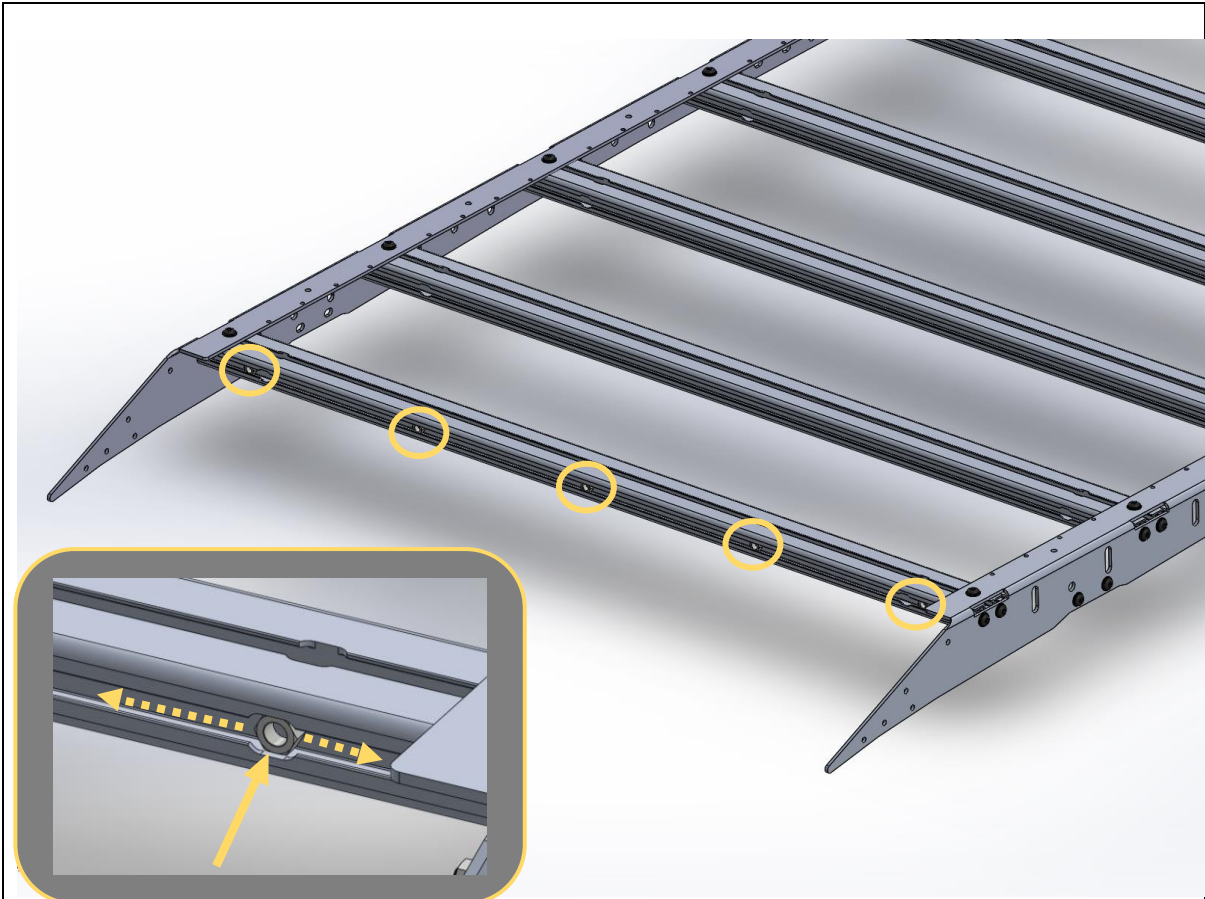


21. Insert M8 Nut into each track for securing top face of side rail.
22. Drop nut into slot in extrusion, then slide nut sideways in slot and align with hole in the side arm.
23. Secure with M8x16 Button head bolt and washer.
24. Use 2 x M8 x 20 BHCS (black) and flat washers (black) per threaded hole in the side of the cross bars.
- 25.
26. Complete steps for the other side of the rack assembly to fit the other side rail.

TOOLS REQUIRED
5MM Hex Key

FASTENERS

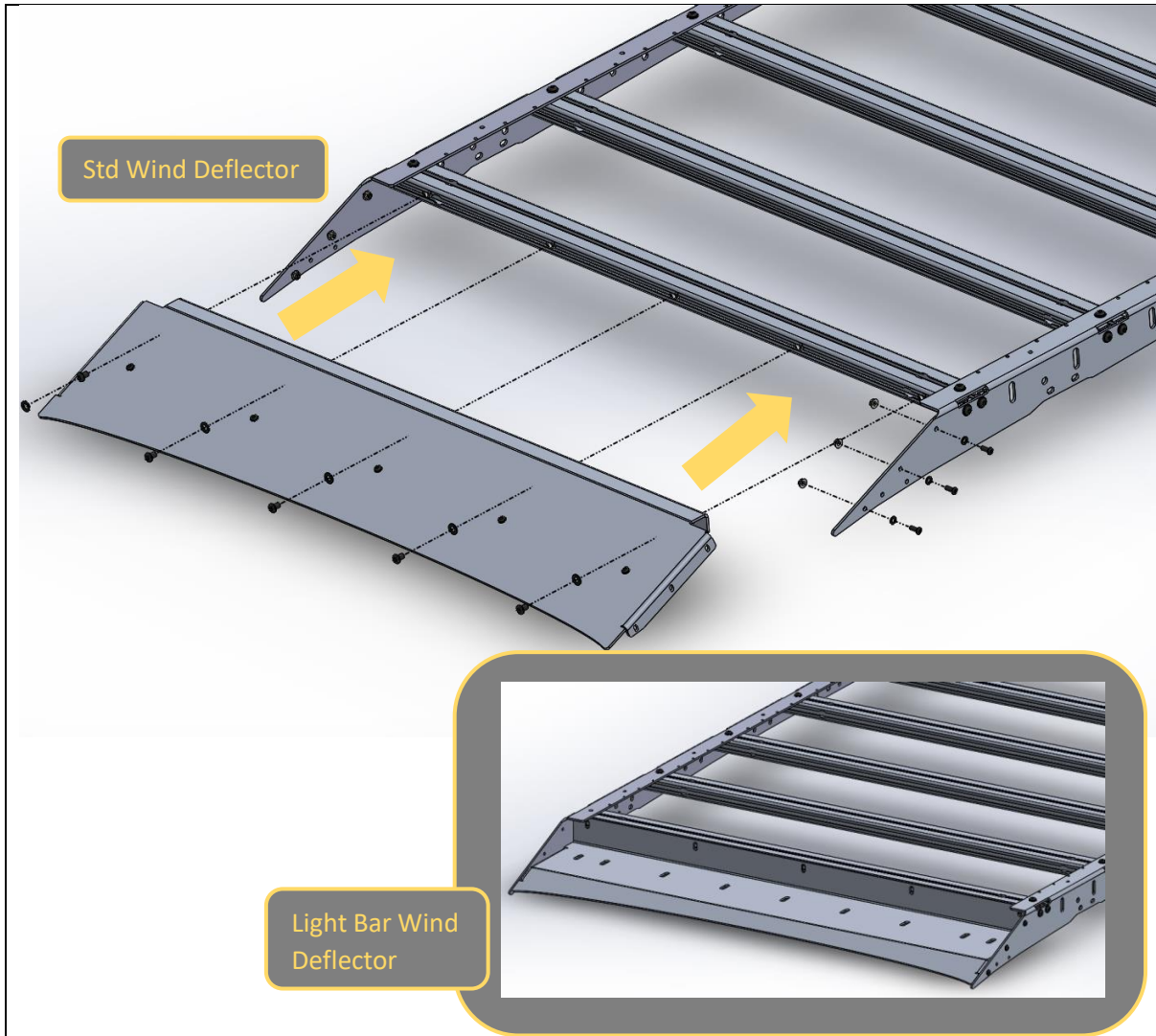
M8x16 Button head bolts.
M8 Flat Washers
M8 nuts



27. If you're fitting the light bar wind deflector, Fit the 5x M8 in nuts to the front slot of the front most extrusion member. If not insert them in the top of the extrusion
28. Move nuts side to side using screwdriver to move nuts into correct positions. Gravity should hold the nut in position.

TOOLS REQUIRED
Screwdriver

FASTENERS
5x M8 Nuts



29. Fit the wind deflector to the rack assembly. The deflector should sit inside the side rails in front of the first extrusion member.
30. Secure the wind deflector to the side rails with M6x20 button head bolts, Flat washers, and flange nuts.
31. Secure the wind deflector to the extrusion with M8x16 button head bolts and Flat washers into the pre fitted drop in nuts.
32. Once fitted ensure all bolts are tightened.

TOOLS REQUIRED

4mm Hex Key
5mm Hex Key

FASTENERS

6x M6x20 Button head bolt.
6x M6 Flat Washer
6x M6 Flange Nut
5x M8x16 Button head bolt
5x M8 Flat Washer

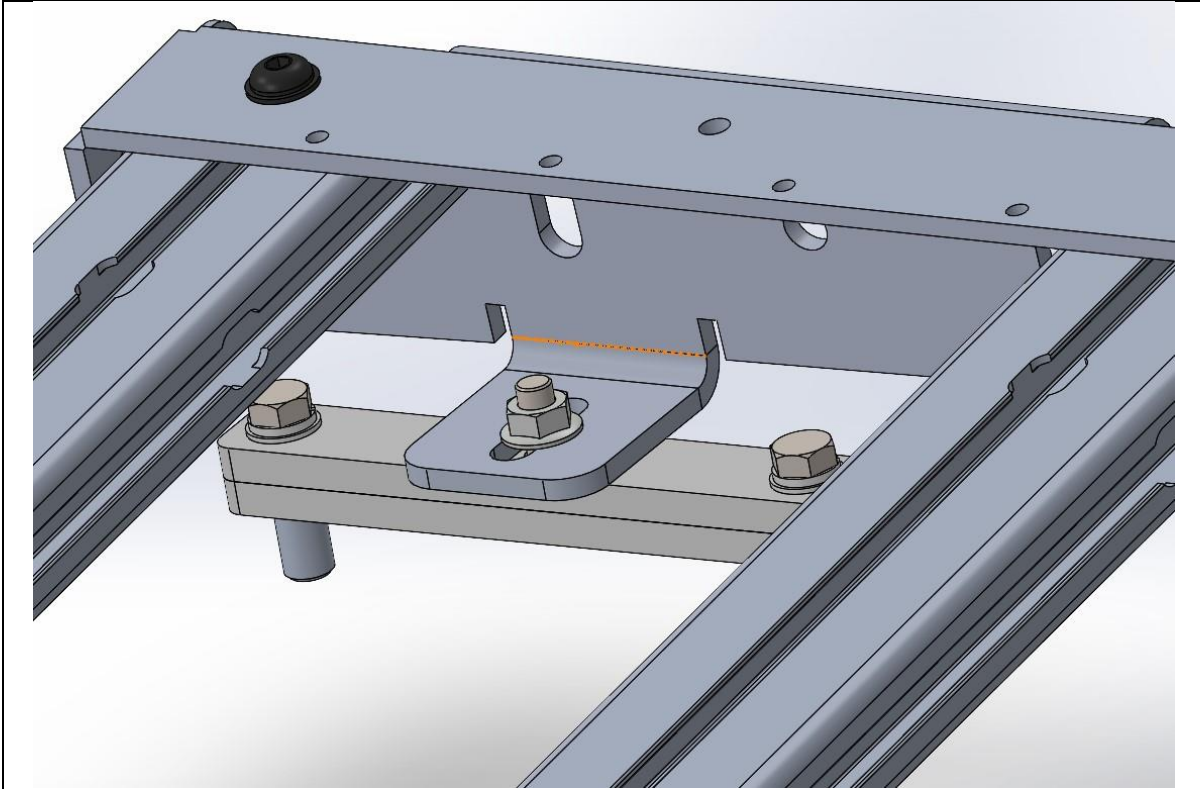


33. Place a blanket on the roof to prevent any scratching
34. With the help of a tall friend, lift the roof rack on to the roof

TOOLS REQUIRED

Blanket

FASTENERS



35. Fit M8 Flange nut on bolts sticking up to secure rack down to roof blocks
36. Repeat for all legs

TOOLS REQUIRED

13mm Spanner

FASTENERS

M8 Flange nut



- 37. Ensure all bolts and nuts are tight,
- 38. Make sure the wind deflector does not touch the roof at any point.
- 39. Put logo plates on the side and you're done.
- 40. Vehicle roof rated to 100kg on road and 66kg offroad, minus rack weight of 27kg means you can have 73kg on road and 39kg off-road on-top of this rack

TOOLS REQUIRED

FASTENERS

For contact details see www.offroadanimal.com