



Toyota Landcruiser Prado 150 Series 2009 onwards Scout Roof Rack

IMPORTANT! – READ BEFORE INSTALLATION

- When installed in accordance with these instructions, the front protection bar does not affect the operation of the vehicles SRS airbags.
- This product must be installed exactly as per these instructions using only hardware supplied.
- Take a few moments to read instructions thoroughly before beginning work.
- In the event of damage to any bar component please contact OFFROAD ANIMAL to arrange repair/replacement of components.
- Do not use this product for any vehicle make or model other than that specified on these instructions.
- Do not remove labels from this product.
- This product and its fixings must not be modified in any way unless stated in these fitting instructions.
- The installation of this product is recommended for trained personnel.
- These instructions are correct at time of publication. OFFROAD ANIMAL cannot be held responsible for the impact of any changes subsequently made by the vehicle manufacturer. If you find something has changed please contact us to let us know!
- During installation it is the duty of the installer to check correct operation/clearances of all components.
- If Instructions are to be printed for reference in the workshop, it is recommended that they are printed in colour, for best legibility.

PARTS LISTING

IMPORTANT: Check all parts are present before beginning work! Contact OFFROAD ANIMAL if something is missing.

Main Parts – In the Box

Qty	Part Number	Description	Image
1	B-0450L	Prado Scout Roof Rack - Side Rail	
1	B-0450R	Prado Scout Roof Rack - Side Rail	
1	B-0451	Prado Scout Roof Rack - Wind Deflector	
1	B-0490L	Prado 150 Scout Rack - Rear Mount	
1	B-0490R	Prado 150 Scout Rack - Rear Mount	



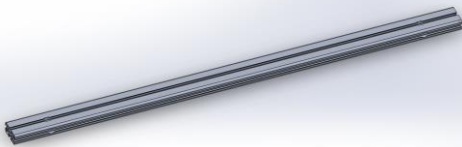
1	B-0491L	Prado 150 Scout Rack - Middle Mount	
1	B-0491R	Prado 150 Scout Rack - Middle Mount	
1	B-0492L	Prado 150 Scout Rack - Front Mount	
1	B-0492R	Prado 150 Scout Rack - Front Mount	
1	B-0506	Toyota Prado 150 Scout Rack Wind Deflector Brace Panel	
1	PW-P-14X9-1140	Pinch Weld - Plain 14X9MM, Rubber, 1140mm Length	

Optional Light Bar Kit – Purchased Separately

Qty	Part Number	Description	Image
1	B-0452	Prado Scout Roof Rack - Light Bar Wind Deflector	



Cross Bar Kit

Qty	Part Number	Description	Image
7	E-0005-1150	Scout Roof Rack – Cross Bar Extrusion 1150MM	

Small Parts – Contained in Small Parts Kit Bag

QTY.	PART NO.	DESCRIPTION
21	M8 X 12 BHCS BZP	SCREW, BUTTON HEAD CAP, M8X12X1.25 GR12.9 BLACK ZP
61	M8 FLAT WASHER- BLACK ZINC	M8 FW- BLACK ZINC
21	M8 NUT	Hex Nut, M8x1.25 G8.8 ZP
28	M8 X 16 BHCS BZP	SCREW, BUTTON HEAD CAP, M8X16X1.25 GR12.9 BLACK ZP
11	M6 FLANGE NUT	Flange Nut, M6x1 G8.8 ZP
11	M6 FLAT WASHER BLACK ZINC	M6 FW BLACK ZP
11	M6x16 BHCS BLACK ZINC	SCREW, BUTTON HEAD CAP, M6X16X1 GR12.9 BLACK ZP
6	P-0151	Prado Scout Roof Rack - Mount Spacer Plate
12	M8 X 40 HEX SS	Bolt Hex, M8X40X1.25, A2-70 STAINLESS
12	M8 FLAT WASHER	M8 FW
12	M8 X 20 BHCS BLACK ZINC	SCREW, BUTTON HEAD CAP, M8X20X1.25 BLACK ZP
12	M8 FLANGE NUT	Flange Nut, M8x1.25 G8.8 ZP
2	OFA-LOGO	OFFROAD ANIMAL METAL LOGO



TOOLS REQUIRED

The following tools will be required to install the product. Note Extra Tools will be required for fitment of track kit. Refer to track kit

Hand Tools	Power Tools	Workshop Supplies
Metric Socket Set 8-19mm Socket Extension Bar Metric Spanner Set 10-19mm Hex (Allen) Key Set 4-6mm		Soft Blanket Rag Isopropyl Alcohol Non-Adhesive Automotive grade sealant

WORKSHOP SAFETY

It is the responsibility of the installer to always complete works in a safe manner. Make sure the following safety equipment is available and precautions are observed whilst fitting this product.

<p>Hearing Protection</p> 	<p>Always wear ear protection when using power tools.</p>
<p>Eye Protection</p> 	<p>Ensure eye protection is always worn when cutting or drilling.</p>
<p>Manual Handling</p> 	<p>Do not attempt to lift bar assemblies or rock sliders on your own.</p> <p>Always use two people to lift or use mechanical Lifting aid such as hydraulic lifting trolley.</p>
<p>Vehicle Support</p> 	<p>Always ensure vehicle is properly supported when working on it. Do not attempt to fit products whilst suspension work is being carried out. Do not work under a vehicle supported only by a jack.</p>



1. Using a rag covered screwdriver to protect the paint, release the clips securing the front roof rail cover.
2. There are three clips on each side, see inset photo.
3. Remove the front cover and repeat for other side of vehicle.

TOOLS REQUIRED

Rag
Flat Screwdriver

FASTENERS



4. Using a rag covered screwdriver to protect the paint, release the clips securing the rear roof rail cover.
5. There are three clips on each side, see inset photo.
6. Remove the rear cover and repeat for other side of vehicle.

TOOLS REQUIRED

Rag
Flat Screwdriver

FASTENERS



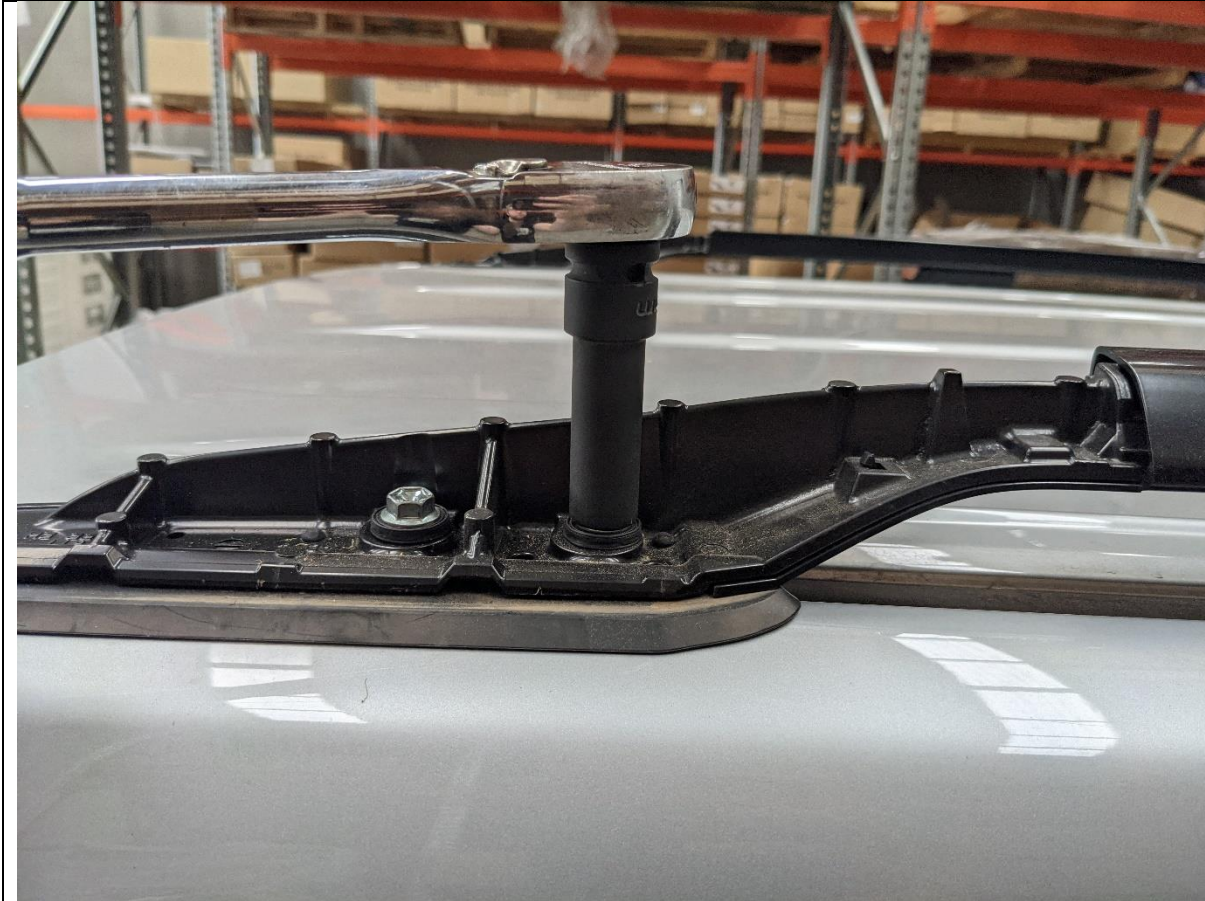
7. Release clips securing back side cover for center rail mount using flat blade screwdriver
8. Remove the 12MM head bolt securing the roof rail to the center rail bracket

TOOLS REQUIRED

12mm Socket

FASTENERS

Refer to track fitting instructions



9. Remove the 12MM head bolts securing the roof rail to the front and rear rail bracket.

TOOLS REQUIRED

12mm Socket

FASTENERS

Factory Bolts



10. Remove the roof rail from the vehicle roof.

TOOLS REQUIRED

FASTENERS



11. Remove the center rail brackets by removing the 2x 12MM head bolts.

TOOLS REQUIRED

FASTENERS

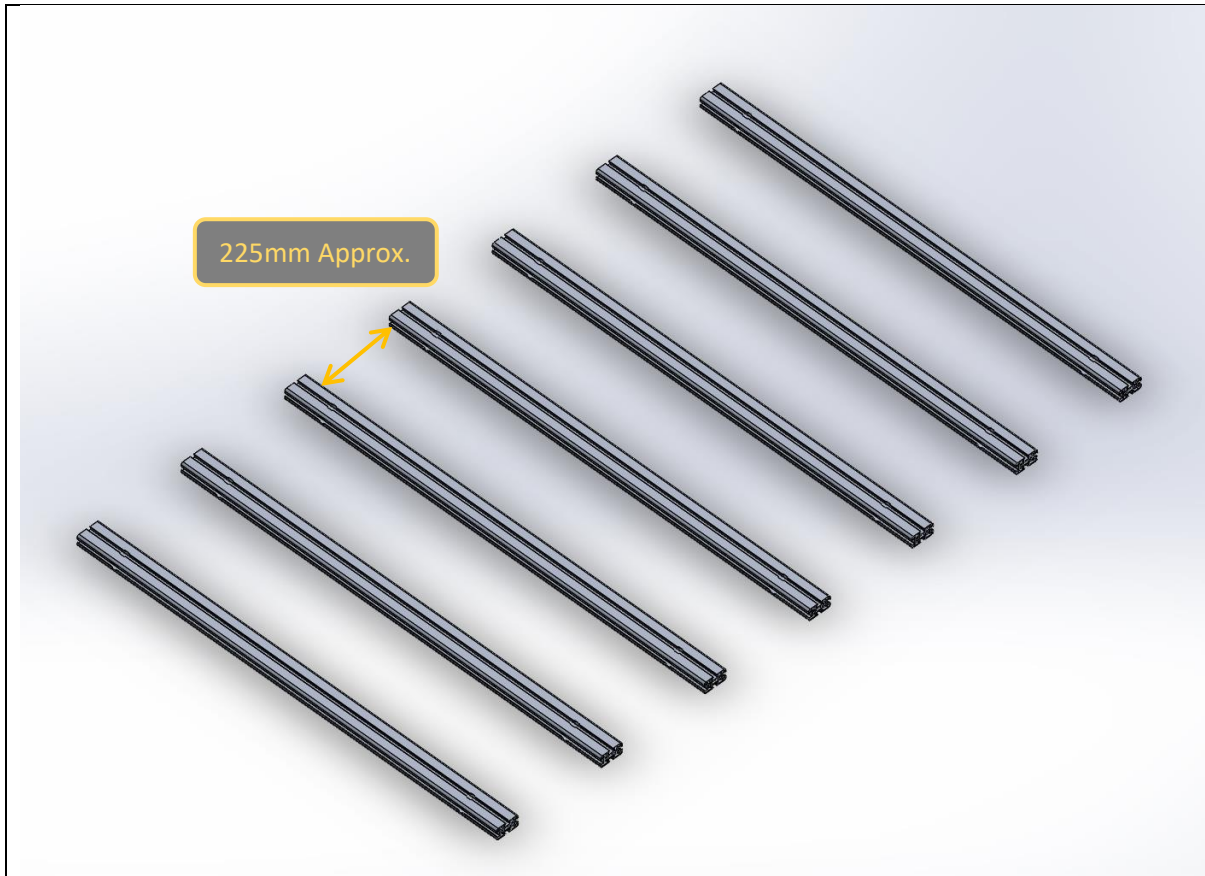


12. Clean the areas surrounding the mounting points in all 6x spots on the roof with a rag and isopropyl alcohol or wax and grease remover.
13. Take care not to push down on the plastic protruding nut guides.

TOOLS REQUIRED

Rag,
Isopropyl Alcohol

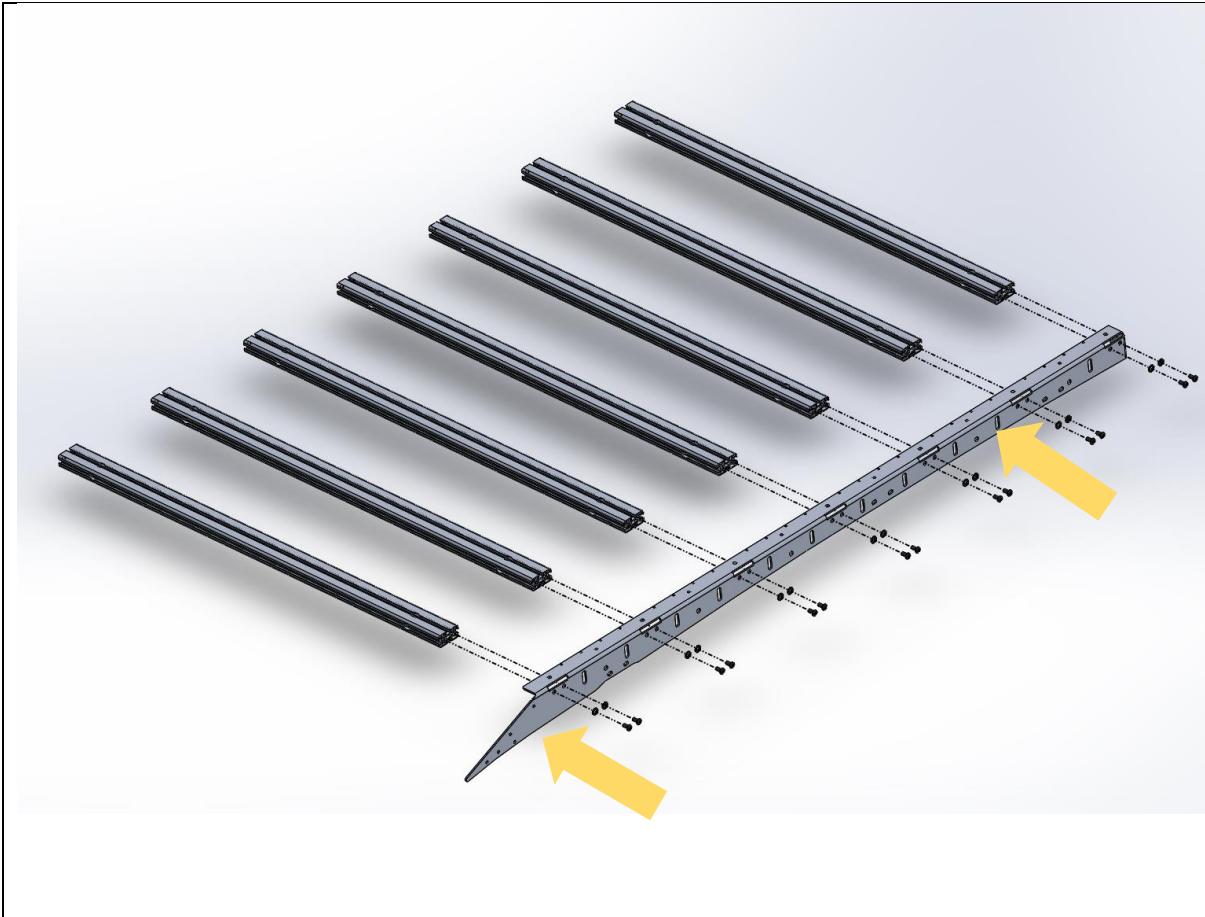
FASTENERS



14. Assemble the roof rack. Start by setting out the 7 extrusion cross bars on a table. Position them so they sit approximately 225mm apart (edge to edge).

TOOLS REQUIRED

FASTENERS



15. Fit the side rail to the extrusion,

This is easiest to do when the ends of the extrusions are hanging over the edge of a table / workbench.

16. Secure with M8x16mm Button head bolts and M8 Flat Washers as shown.

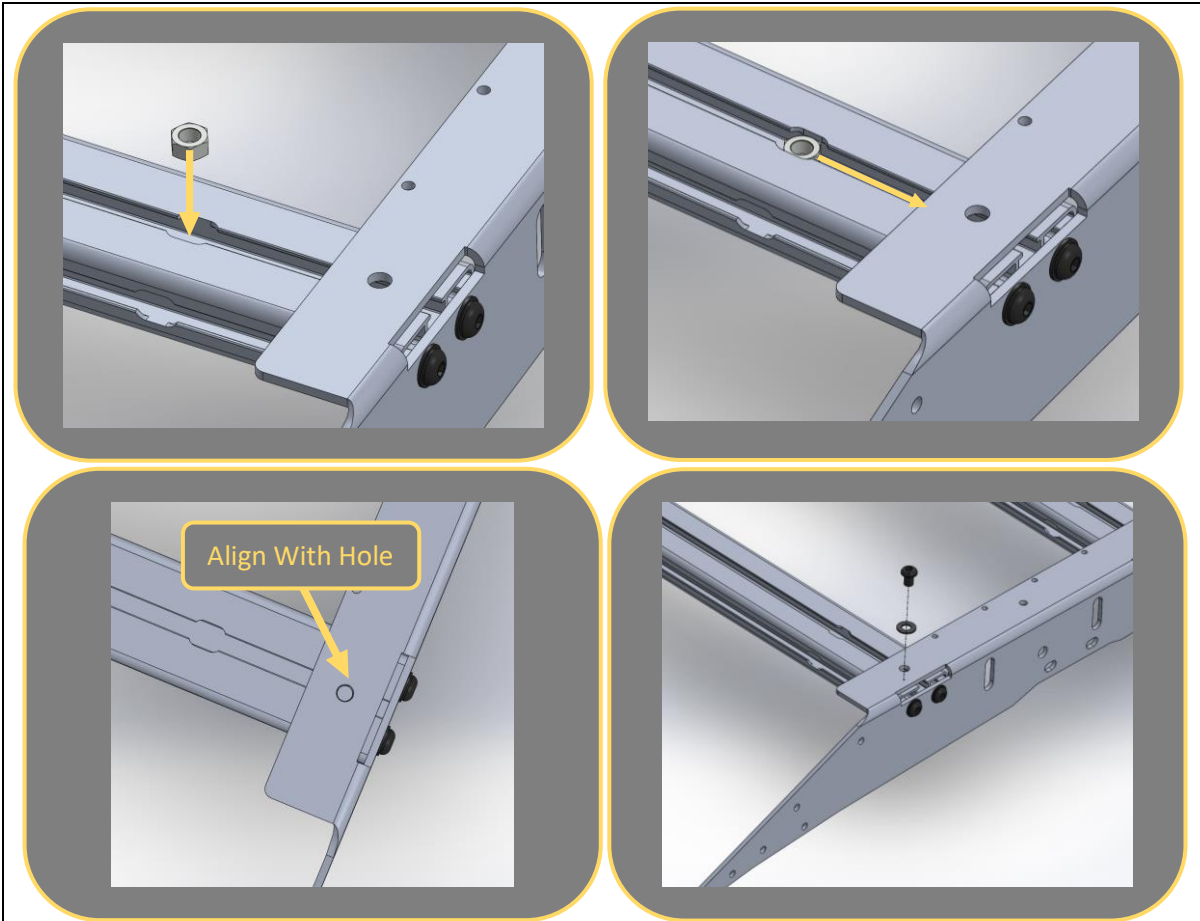
17. Complete for other side of rack also.

TOOLS REQUIRED

5MM Hex Key

FASTENERS

M8x16 BHCS and Flat Washers

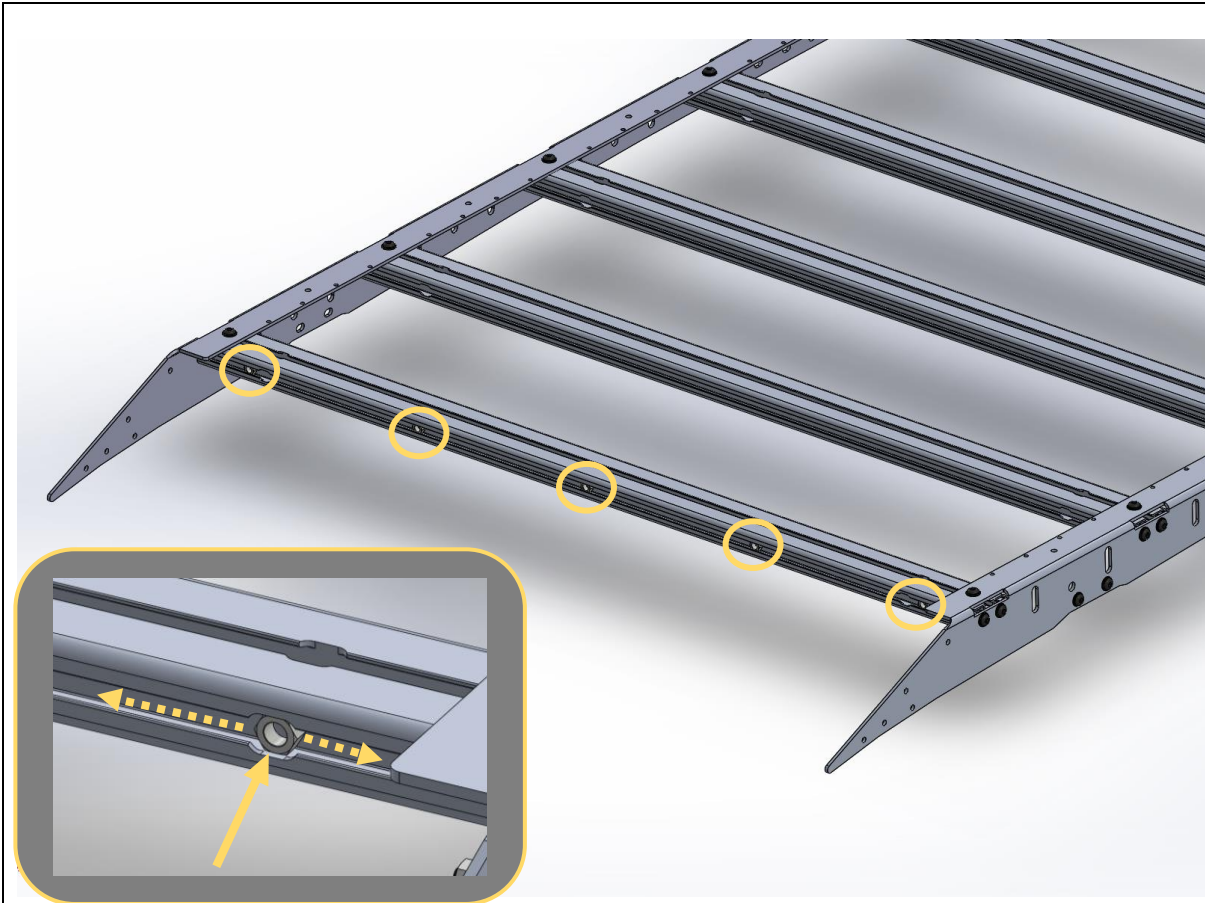


18. Insert M8 Nut into each track for securing top face of side rail.
19. Drop nut into slot in extrusion, then slide nut sideways in slot and align with hole in the side arm.
20. Secure with M8x12 Button head bolt and washer.
21. Complete steps for the other side of the rack assembly to fit the other side rail.

TOOLS REQUIRED
5MM Hex Key

FASTENERS

M8x12 Button head bolts
M8x16 Button head bolts.
M8 Flat Washers

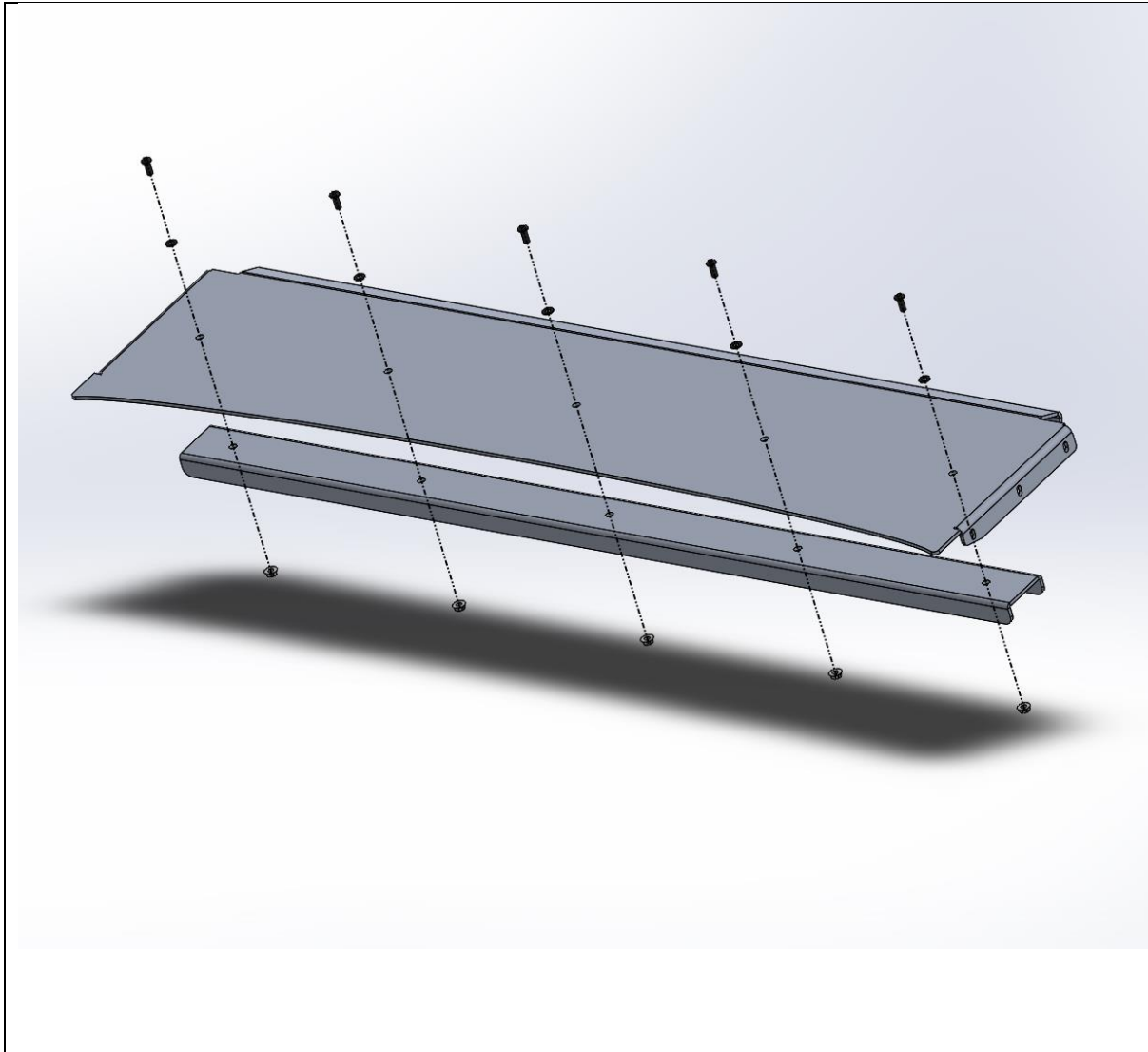


22. Fit the 5x M8 in nuts to the front slot of the front most extrusion member.

23. Move nuts side to side using screwdriver to move nuts into correct positions. Gravity should hold the nut in position.

TOOLS REQUIRED
Screwdriver

FASTENERS
5x M8 Nuts

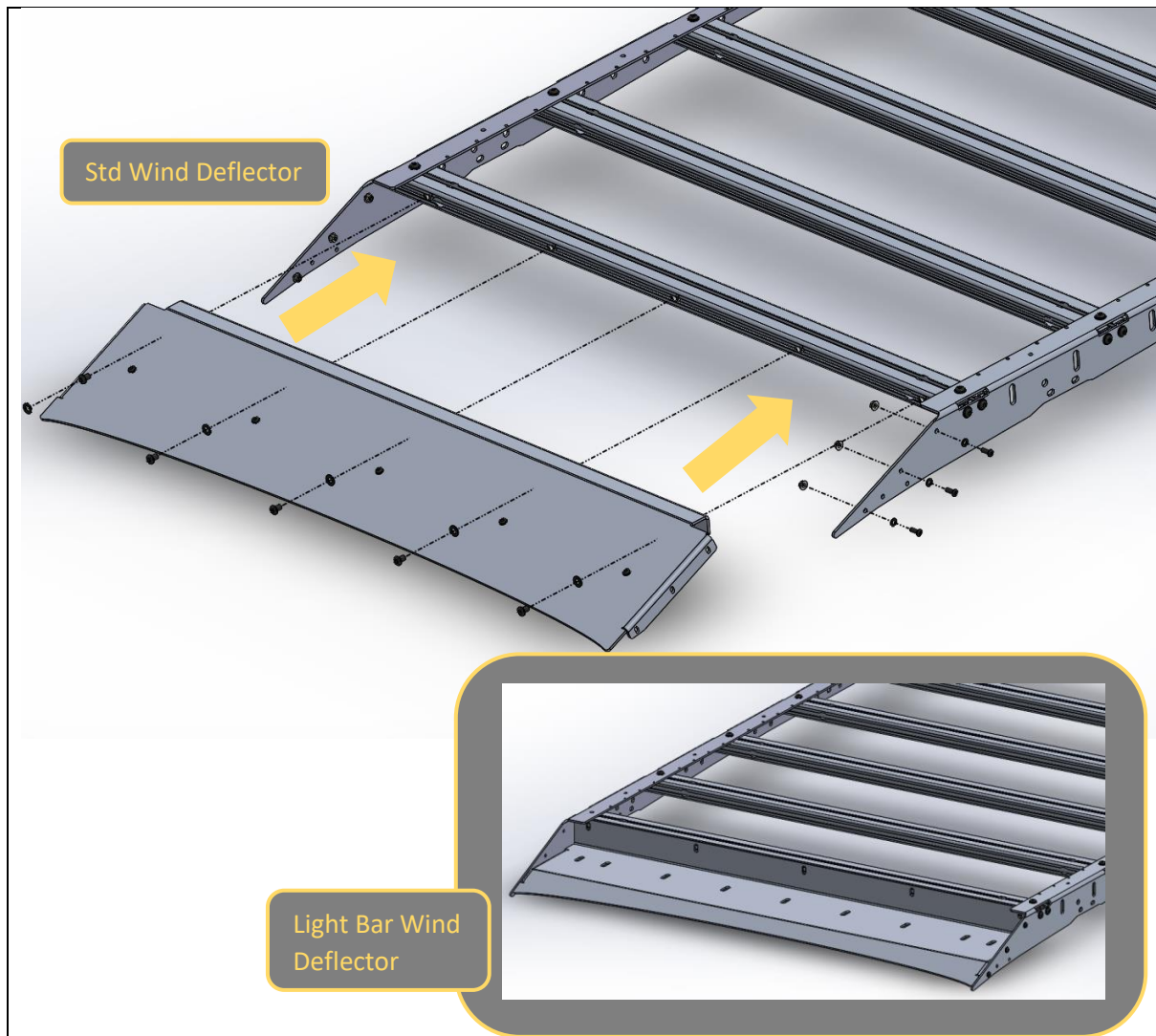


24. Assemble the wind deflector and stiffening bracket using M6 Button head screws, Flat washers and M6 Flange nuts as shown

TOOLS REQUIRED
4MM Hex Key

FASTENERS

M6x16 Button head screws
M6 Flat Washers
M6 Flange Nuts



25. Fit the wind deflector to the rack assembly. The deflector should sit inside the side rails in front of the first extrusion member.
26. Secure the wind deflector to the side rails with M6x16 button head bolts, Flat washers, and flange nuts.
27. Secure the wind deflector to the extrusion with M8x12 button head bolts and Flat washers into the pre fitted drop in nuts.
28. Once fitted ensure all bolts are tightened.

TOOLS REQUIRED

4mm Hex Key
5mm Hex Key

FASTENERS

6x M6x16 Button head bolt.
6x M6 Flat Washer
6x M6 Flange Nut
5x M8x12 Button head bolt
5x M8 Flat Washer



29. Fit pinch weld strip to front edge of wind deflector.

TOOLS REQUIRED

FASTENERS



30. Apply bead of sealant around holes and along bottom of mount plates as shown in image.

31. Place mount plates onto roof, locating over the protruding plastic bosses on the roof mounting points.

TOOLS REQUIRED

Non-Adhesive Automotive Sealant

FASTENERS



32. Remove the rubber sealing washers and rings from the factory fasteners for re-fitment to supplied bolts.

TOOLS REQUIRED

FASTENERS



Note: Prototype Shown with Factory Bolts. Use supplied M8x40mm Hex Bolts.

- 33. Fit mounting brackets to the roof rack mounting points, using supplied M8x40 bolts, and the re-used factory sealing washers. Leave all bolts loose at this stage.
- 34. Take care to ensure correct brackets are fitted to correct location. Refer to part images at front of instruction for more information.

TOOLS REQUIRED

FASTENERS

12x M8x40 Bolts
Re Use rubber sealing washers.



35. When fitted in correct positions all the tops of the brackets should be roughly in line.

36. Leave all brackets loose at this stage.

TOOLS REQUIRED

FASTENERS



37. With assistance from another person, lift the rack onto the vehicle.

38. Position rack such that Mounting slots on the side arms align with the mounting brackets

The rack should sit on the **OUTSIDE** of the mounting brackets.

TOOLS REQUIRED

FASTENERS



- 39. The rack should sit on the **OUTSIDE** of the mounting brackets, as shown
- 40. Secure rack to Mounting bracket using M8x20 Button head bolts, M8 Flat washers and M8 Flange Nuts
- 41. Fit all 12 bolts and leave finger tight at this stage.

TOOLS REQUIRED
5mm Hex Key

FASTENERS

- 12xM8x20 Button Head Bolt
- 12xM8 Flat washer
- 12x M8 Flange Nut



42. Align rack such that the top face is roughly level, and the gap between the rack and vehicle is consistent front to rear, and same side to side.
43. Lock in position by tightening the using M8x20 Button head bolts that secure the rack to the brackets.
44. Next tighten the M8x40 bolts securing the brackets to the car anchor points,
45. Tighten gradually, partially tightening each bolt moving around in a circular pattern until all bolts are tight.

TOOLS REQUIRED
5mm Hex Key
13mm Spanner

FASTENERS



46. Double Check all Fasteners are tight.
47. Fit the Offroad Animal logo plates to the rack – using the adhesive backing. We recommend putting them on the side near the front mount as in the picture above
48. With That you are done! Head Bush and Enjoy your new rack!

For contact details see www.offroadanimal.com