



**Nissan Navara NP300**  
**2015 – 2020 (Series 1-4)**  
**PREDATOR FRONT BAR**

**IMPORTANT! – READ BEFORE INSTALLATION**

- When installed in accordance with these instructions, the front protection bar does not affect the operation of the vehicles SRS airbags.
- This product must be installed exactly as per these instructions using only hardware supplied.
- Take a few moments to read instructions thoroughly before beginning work.
- In the event of damage to any bar component please contact OFFROAD ANIMAL to arrange repair/replacement of components.
- Do not use this product for any vehicle make or model other than that specified on these instructions.
- Do not remove labels from this product.
- This product and its fixings must not be modified in any way unless stated in these fitting instructions.
- The installation of this product is recommended for trained personnel.
- These instructions are correct at time of publication. OFFROAD ANIMAL cannot be held responsible for the impact of any changes subsequently made by the vehicle manufacturer. If you find something has changed please contact us to let us know!
- During installation it is the duty of the installer to check correct operation/clearances of all components.
- If Instructions are to be printed for reference in the workshop, it is recommended that they are printed in colour, for best legibility.

## PARTS LISTING

**IMPORTANT:** Check all parts are present before beginning work! Contact OFFROAD ANIMAL if something is missing.

### Main Parts – In the Box

Qty	Part Number	Description	Image
1	FB-NNV- NP3-15-PR- ASM1	NP300 Weldment	
1	FB-NNV- NP3-15-PR- ASM1R	NP300 Mount RH	
1	FB-NNV- NP3-15-PR- ASM1L	NP300 Mount LH	
1	U-0027	NP300 Centre skid	
1	U-0028	NP-300 Centre skid Secondary	

1	U-0026L	NP300 Predator side under panel LH	
1	U-0026R	NP300 Predator side under panel RH	
1	M-0014	DMax Predator Center Fairlead Mesh	
1	M-0015L	DMax Predator Side Mesh	
1	M-0015R	DMax Predator Side Mesh	
2	M12-NP-300	M12 Nut plate	
1	B-0397R	NP300 Chassis Brace RH	
1	B-0397L	NP300 Chassis Brace LH	

1	B-0416R	Navara Np300 Fog Light Bracket RH	
1	B-0416L	Navara Np300 Fog Light Bracket LH	
1	M-0002L	Light Cover Mesh	
1	M-0002R	Light Cover Mesh	
1	NPF-COM-SM-ASM0	Number plate flip asm Small	
2	PWS-TOP-1000	Pinch Weld PWS51T - Top Bulb Seal 1,000mm	

**Small Parts – Contained in Small Parts Kit Bag**

Qty	Part Number	Description
4	M8 X 30 BHCS BLACK ZINC	SCREW, BUTTON HEAD CAP, M8X30X1.25 BLACK ZP
16	M8 FLAT WASHER- BLACK ZINC	M8 FW- BLACK ZINC
16	M8 FLANGE NUT	Flange Nut, M8x1.25 G8.8 ZP
8	M8 X 16 BHCS BZP	SCREW, BUTTON HEAD CAP, M8X16X1.25 GR12.9 BLACK ZP
4	M8 X 25 HEX	Bolt Hex, M8X25x1.25, GR8.8 ZP
8	M12X30	Bolt Hex, M12X30x1.75, GR8.8 ZP
14	M12 FW LHD	M12 FW Large Heavy Duty
6	M12 Nyloc nut	M12 NYLOC NUT
2	M12 FN	M12 Flange nut
20	M6x16 BHCS BLACK ZINC	SCREW, BUTTON HEAD CAP, M6X16X1 GR12.9 BLACK ZP
14	M6 FLANGE NUT	Flange Nut, M6x1 G8.8 ZP
8	M6CN3MM	CAGE NUT M6x2.6-3.5
20	M6 FLAT WASHER BLACK ZINC	M6 FW BLACK ZP
4	M10 x 30	Bolt Hex, M10X30x[1.5], GR8.8 ZP
7	M10 Flat Washer	M10 FW
7	M10 FLANGE NUT	Flange Nut, M10x1.5 G8.8 ZP
3	M10 x 40	Bolt Hex, M10X40x[1.5], GR8.8 ZP
2	M12 x 40	Bolt Hex, M12X40x1.75, GR8.8 ZP
4	M6x25 BHCS	M6 x 25 button head cap screw
4	M6 MFW	M6 mud guard flat washer (large)
1	OFA-LOGO	OFFROAD ANIMAL METAL LOGO
1	FB-NNV-NP3-15- ADRCP	ADR COMPLIANCE PLATE

# TOOLS REQUIRED

The following tools will be required to install the product.

<b>Hand Tools</b>	<b>Power Tools</b>	<b>Workshop Equipment</b>
Metric Socket Set 8-19mm Socket Extension Bar Metric Spanner Set 10-19mm Hex (Allen) Key Set 4-6mm Trim Puller Tool OR Flat Blade Screwdriver set Phillips Head Screwdriver set Utility Knife Side Cutters Pliers		Panel Stand or Soft Blanket Cable Ties

# WORKSHOP SAFETY

It is the responsibility of the installer to always complete works in a safe manner. Make sure the following safety equipment is available and precautions are observed whilst fitting this product.

<p>Hearing Protection</p> 	<p>Always wear ear protection when using power tools.</p>
<p>Eye Protection</p> 	<p>Ensure eye protection is always worn when cutting or drilling.</p>
<p>Manual Handling</p> 	<p>Do not attempt to lift bar assemblies or rock sliders on your own.</p> <p>Always use two people to lift or use mechanical Lifting aid such as hydraulic lifting trolley.</p>
<p>Vehicle Support</p> 	<p>Always ensure vehicle is properly supported when working on it. Do not attempt to fit products whilst suspension work is being carried out. Do not work under a vehicle supported only by a jack.</p>



1. Unpack everything and make sure everything is present

**TOOLS REQUIRED**

**FASTENERS**





2. Open bonnet and remove clips for top of grill cover panel
3. More clips behind grill under panel shown, remove all

**TOOLS REQUIRED**

**Flat head screwdriver or trim tool**

**FASTENERS**

**Retain for later use**



4. Remove Grill

**TOOLS REQUIRED**

**FASTENERS**



5. Remove factory bash plate and lower panels under bumper

**TOOLS REQUIRED**

Small flat blade screwdriver, 10mm socket or spanner

**FASTENERS**

Retain for future use



6. Remove screw from inside edge of front quarter panel

**TOOLS REQUIRED**

10mm socket

**FASTENERS**

discard



7. Remove all clips securing centre of bumper to vehicle

**TOOLS  
REQUIRE  
D  
Flat head  
screw  
driver or  
trim tool**

**FASTENER  
S**



- 8. Pull bumper away from panel as shown
- 9. Repeat for other side
- 10. Pull bumper off vehicle

**TOOLS REQUIRED**

**FASTENERS**



11. Remove white bumper keepers from each side

**TOOLS REQUIRED**

10mm socket  
Flat head screw driver

**FASTENERS**

Factory 10mm head bolts  
Discard



12. Remove air guides as shown

**TOOLS REQUIRED**

Phillips head screwdriver or trim tool

**FASTENERS**

Factory screws – discard.





13. Remove lower air guide by removing 4 clips; 2 front (above) and 2 rear(below)



**TOOLS REQUIRED**  
Flat head screw driver or trim tool

**FASTENERS**

Discard



14. Remove and discard air guide

**TOOLS REQUIRED**

**FASTENERS**



15. Remove all 4 bolts securing crash beam

**TOOLS REQUIRED**

I think it was an 18mm, but you can easily check without me telling ehh.

**FASTENERS**



16. Remove small air guides as shown

**TOOLS REQUIRED**  
Flat head screw driver or trim tool

**FASTENERS**

Discard



- 17. Fit mounts as shown with factory bolts previously removed
- 18. Leave all bolts loose on mounts at the moment

**TOOLS REQUIRED**

**FASTENERS**

Factory bolts



19. On Right hand side you will need to feed nut plates through to secure with M12x40 bolts



**TOOLS REQUIRED**

**FASTENERS**

- M12 x 40 (2)
- M12 FW (2)
- M12 Nut plates



20. Fit factory bolts on LHS as shown

**TOOLS REQUIRED**

**FASTENERS**

Factory bolts



21. Fit Chassis brace as shown
22. Use M10x 30 bolt and flat washer and flange nut through side and top
23. Leave bottom open for now
24. Repeat for other side

**TOOLS REQUIRED**

Depends on winch supplied fasteners

**FASTENERS**

M10x30 (4)  
M10 FW (4)  
M10 FN (4)





25. Fit cage nuts to bull bar by squeezing them in from above or using a flat head screwdriver to push them in

**TOOLS  
REQUIRED**

Flat head screw  
driver

**FASTENERS**

M6 Cage nuts (8)



- 26. Fit pinch weld to bar on top of wings (under head lights and down the side)
- 27. Repeat for other side

**TOOLS  
REQUIRED**

**FASTENERS**



28. With the aid of a lifting table or a friend, lift bar onto vehicle

**Leave a 15-20m gap between bar and quarter panels and lights.**

**TOOLS REQUIRED**

**FASTENERS**



- 29. Place at least 2 bolts in mounts to secure bar and check fitment left to right of bar on vehicle. Once happy torque down all chassis mount bolts. Use flange nuts for these and do up finger tight
- 30. Once happy insert all M12x30 bolts through mounts into chassis and put large washers either side and M12 Nyloc nuts
- 31. Check in and out and up and down positioning of bar to vehicle and torque down all fasteners **Leave a 15-20mm gap between bar and quarter panels and lights.**

**TOOLS REQUIRED**

**16mm, 17mm, 18mm and 19mm socket**

**FASTENERS**

M12 x 30 (8)  
M12 FW(14)  
M12 FN (2)  
M12 Nyloc (6)



- 32. If not fitting a winch proceed with steps 33-35, otherwise skip to step 36
- 33. Fit centre mesh panel as shown. Use 2 M8 x 16 Button Head Cap screws with washers and flange nuts through top and 2 M8 x 25 Hex bolts, washers and flange nut through bottom

**TOOLS  
REQUIRED**  
5mm Allen key  
13mm spanner  
or socket

**FASTENERS**  
  
M8x16 BHCS  
(2)  
M8 washers  
(4)  
M8 flange nuts  
(4)  
M8x25 Hex  
bolts (2)



- 34. Fit side panels as shown with M8 button head cap screw washer and flange nut. Leave bottom holes open at the moment
- 35. Repeat for other side

**TOOLS  
REQUIRED**

**5mm Allen Key**

**FASTENERS**

M8x16 BHCS (2)  
M8 washers (2)  
M8 flange nuts  
(2)



- 36. If fitting a winch do so now
- 37. The bar is designed to fit most low mount winches, in foot down configuration. WARN ZEON 10 is largest winch confirmed to fit.
- 38. The control box should be mounted on top of the winch. Winches usually come with a bracket to allow this. Refer to winch manufacturer. Otherwise you can mount it off to the side

**TOOLS REQUIRED**

- 16mm Spanner
- 16mm Socket
- 5mm Allen Key
- 13mm spanner

**FASTENERS**

- 2x M10x25 Hex Head
- 2x M10 Flat Washer
- 2x M10 Flange Nut
- 4x M8x30 Button Head
- 4x M8 Flange Nut
- 4xM8 Flat Washer
- 2x P-0072 Shim



- 39. Prepare the Center mesh panel for fitment.
- 40. If Required, Fit winch fairlead to Mesh Fairlead Mount (M-0014). Use M10 or 3/8" Fasteners supplied with winch. The bar is only compatible with Hawse type fairleads.
- 41. Fit Number plate flip kit to fairlead mount, using fasteners supplied in kit.

**TOOLS REQUIRED**  
5mm Allen Key  
18mm Socket /  
Spanner

**FASTENERS**  
4x M8x20 Button  
Head  
4x M8 Flat Washer

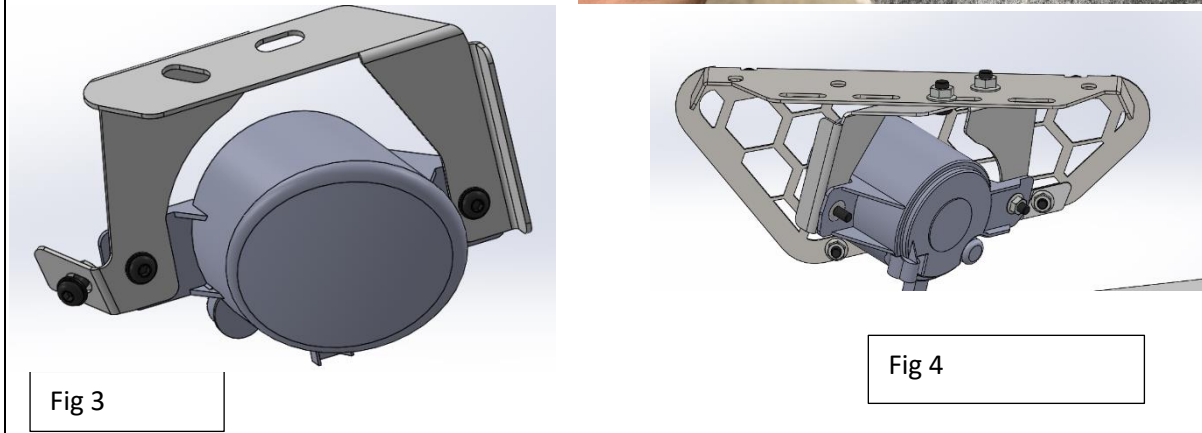




- 42. Fit the Mesh Fairlead Mount (M-0014) to the center of the bar, using M8x16 Button head (Top), M8x25 hex (Bottom) M8 Flat washers and M8 Flange Nuts.
- 43. Tighten fasteners using 13mm socket / spanner and 5mm Allen Wrench.
- 44. Fit Number plate flip and number plate to centre mesh panel

**TOOLS REQUIRED**  
13mm Spanner  
5mm Allen Wrench  
4mm Allen Wrench

**FASTENERS**  
8x M6x16 Button Head  
8 M6 Flat Washer  
2x M8x25 Hex Head  
2x M8 Flange Nut  
2x M8 Flat Washer



45. If your vehicle is fitted with factory fog lights now is the time to fit them, If not skip to step 51
46. Trim the forward-facing tabs off the light as shown in fig 1 above
47. Fig 2 shows trimmed flat surface ready for mounting
48. Fit lights to supplied fog light bracket as shown (fig 3) with M6 button head cap screws
49. Fit Lights in bracket to Mesh panel U-0002R and U-0002L (Fig 4) with M8 x 16 bhcs, washers and flange nuts
50. Repeat for other side

**TOOLS REQUIRED**  
4mm Allen Key  
Side cutters

**FASTENERS**  
M6 x 16 BHCS (4)  
M6 FW (2)  
M6 FN (2)  
M8 x 16 BHCS (4)  
M8 FW (4)  
M8 FN (4)



51. Fit mesh panels M-0002R/L to bar with fog light with M6 Hardware. If no fog lights used simply fit Mesh panel to bar with M6 hardware
52. Fit under panels as shown with M6 x 16 BHCS and Flat washers. Do not forget M8 x 25 bolts to attached panel to red mounts
53. Repeat for other side

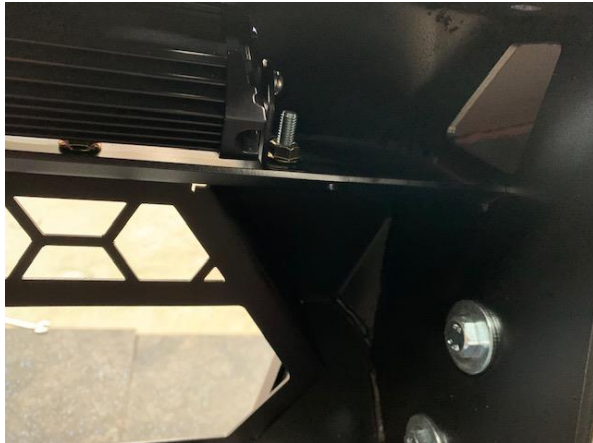


**TOOLS REQUIRED**  
4mm Allen Key

- FASTENERS**
- M6 x 16 BHCS (16)
  - M6 FW (16)
  - M6 FN (8)
  - M8 x 25 (2)
  - M8 FW (2)
  - M8 FN (2)



- 54. If fitting light bar inside centre of bull bar, do so now, otherwise skip this step.
- 55. Place light in bar and secure with supplied bolts



**TOOLS REQUIRED**  
13mm spanner

**FASTENERS**  
Supplied with light



56. Fit Bash plate as shown with M8 x 30 BHCS washers and flange nuts. Leave off bottom bolts

**TOOLS REQUIRED**  
5mm Allen Key

**FASTENERS**

M8x 30 bhcs (4)  
M8FW (4)  
M8 FN (4)



- 57. Fit secondary bash plate as shown. Use M10 hardware through both bash plates into mounts up top on sides. And M6 through factory crossmember
- 58. Torque all bolts

**TOOLS REQUIRED**  
16 or 17mm spanner or socket

**FASTENERS**  
M10 x 40 (3)  
M10 FW (3)  
M10 FN (3)  
M6x25 BHCS (4)  
M6 MFW (4)  
M6 FN (2)



- 59. If fitting stealth top hoop, do so now with supplied M10 hardware. Both through top of bar and torque bolts. Fit light inside as well same as in bar.
- 60. Fit logo plate to front of bar as shown, and compliance plate to lower bash plate

**TOOLS REQUIRED**  
**16 or 17mm spanner**

**FASTENERS**

- M10 x 30 (2)
- M10 FW (2)
- M10 NN (2)



61. Re fit grill and you're done.

**TOOLS REQUIRED**

**FASTENERS**

Factory clips