

ISUZU MU-X
MY2022 ON
ROCK SLIDERS

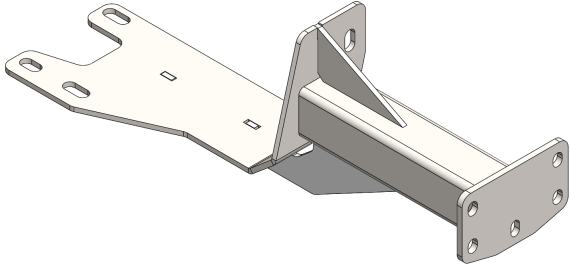
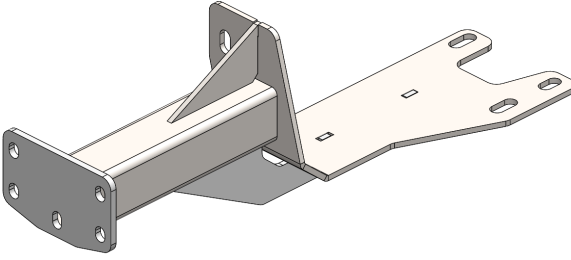
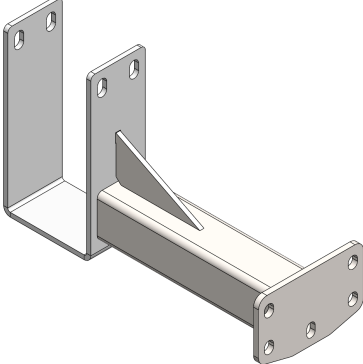
IMPORTANT! – READ BEFORE INSTALLATION

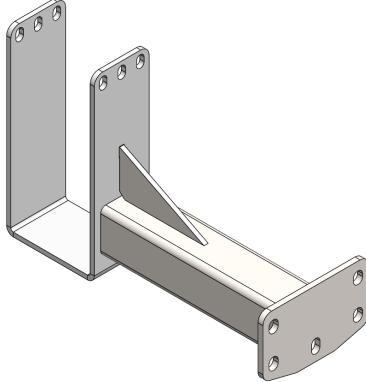
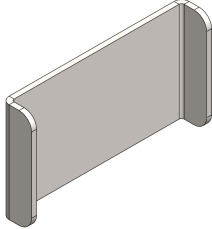
- When installed in accordance with these instructions, the front protection bar does not affect the operation of the vehicles SRS airbags.
- This product must be installed exactly as per these instructions using only hardware supplied.
- Take a few moments to read instructions thoroughly before beginning work.
- In the event of damage to any bar component please contact OFFROAD ANIMAL to arrange repair/replacement of components.
- Do not use this product for any vehicle make or model other than that specified on these instructions.
- Do not remove labels from this product.
- This product and its fixings must not be modified in any way unless stated in these fitting instructions.
- The installation of this product is recommended for trained personnel.
- These instructions are correct at time of publication. OFFROAD ANIMAL cannot be held responsible for the impact of any changes subsequently made by the vehicle manufacturer. If you find something has changed please contact us to let us know!
- During installation it is the duty of the installer to check correct operation/clearances of all components.
- If Instructions are to be printed for reference in the workshop, it is recommended that they are printed in colour, for best legibility.

PARTS LISTING

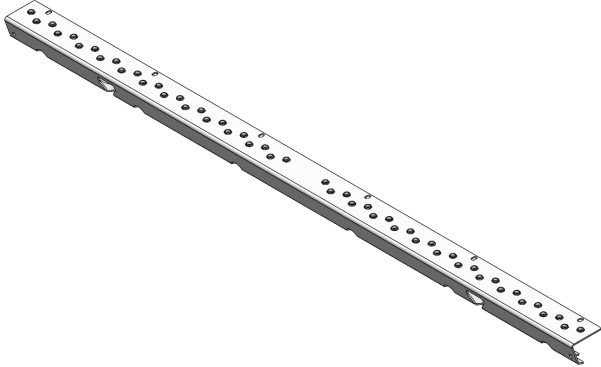
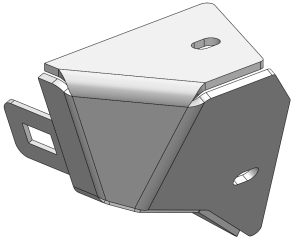
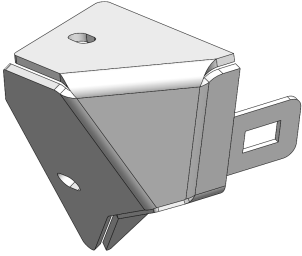
IMPORTANT: Check all parts are present before beginning work! Contact OFFROAD ANIMAL if something is missing.

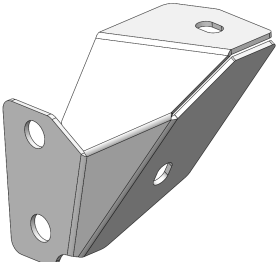
Bracket Kit Parts – In the Box

Qty	Part Number	Description	Image
1	RS-IDM-RG-21-ASM 2L	DMAX SLIDER FRONT MOUNT	
1	RS-IDM-RG-21-ASM 2R	DMAX SLIDER FRONT MOUNT	
2	RS-IMX-RJ-21-ASM3	MUX Slider MID mount	


2	RS-IMX-RJ-21-ASM1	MUX Slider REAR mount	
4	B-0584	Shim	

Step Kit Parts – In the Box

Qty	Part Number	Description	Image
2	B-0852	Slider Step - 1600mm	
2	RS-COM-EC-STB-R	Stub Nose Endcap Outer	
2	RS-COM-EC-STB-L	Stub Nose Endcap Outer	

2	B-0801R	Stub Nose Endcap Rear Cover	
2	B-0801L	Stub Nose Endcap Rear Cover	

Step Kit Parts – In the Box

Qty	Part Number	Description	Image
2	E-0002-1600	Slider Extrusion - 1600mm	

Bracket Kit Small Parts – Contained in Small Parts Kit Bag

Qty	Part Number	Description
4	M10 X 120	Bolt Hex, M10X120X1.5, GR8.8 ZP
6	M10 x 30	Bolt Hex, M10X30x[1.5], GR8.8 ZP
32	M10 x 25	Bolt Hex, M10X25x[1.5], GR8.8 ZP
10	M10 Flat Washer	M10 FW
30	M10 FLANGE NUT	Flange Nut, M10x1.5 G8.8 ZP
6	M8 X 120 HEX	Bolt Hex, M8X120X1.25, GR8.8 ZP
6	M8 FLAT WASHER	M8 FW
6	M8 FLANGE NUT	Flange Nut, M8x1.25 G8.8 ZP
4	NP-COM-M10-190 -SLIM	Nut Plate M10 Slim - Suit DMAX Predator

Step Kit Small Parts – Contained in Small Parts Kit Bag

Qty	Part Number	Description
12	M6x16 BHCS BLACK ZINC	SCREW, BUTTON HEAD CAP, M6X16X1 GR12.9, ISO4042 ZnNi BLACK PASSIVATED FINISH
12	M6 FLAT WASHER BLACK ZINC	M6 Flat Washer, 12x6.1x1, ISO4042 ZnNi BLACK PASSIVATED FINISH
8	M6 FLANGE NUT	Flange Nut, M6x1 G8.8 ZP
4	M6CN3MM	CAGE NUT M6x2.6-3.5
12	M8 X 20 BHCS BLACK ZINC	SCREW, BUTTON HEAD CAP, M8X20X1.25 BLACK ZP
12	M8X20 CAP SCREW	CAP SCREW, M8X20X1.25 GR10.9 ZP
24	M8 FLAT WASHER BLACK ZINC	M8 FW- BLACK ZINC
24	M8 NUT	Hex Nut, M8x1.25 G8.8 ZP
8	M10x15 BHCS	SCREW, BUTTON HEAD CAP, M10X16X1.5 GR12.9 ZP
8	M10 Flat Washer	M10 FW
8	M10 NUT	Hex Nut, M10x1.5 G8.8 ZP
2	OFA-LOGO	OFFROAD ANIMAL METAL LOGO



TOOLS REQUIRED

The following tools will be required to install the product.

Hand Tools	Power Tools	Workshop Equipment
Metric Socket Set 10mm,12mm,15mm,16mm,17mm,18mm,19mm Socket Extension Bar Metric Spanner Set 10-19mm Hex (Allen) Key Set 4-6mm Flat Blade Screwdriver	Electric/Air Impact Driver (Optional)	Hydraulic Floor Jack

WORKSHOP SAFETY

It is the responsibility of the installer to always complete works in a safe manner. Make sure the following safety equipment is available and precautions are observed whilst fitting this product.

<p>Hearing Protection</p> 	<p>Always wear ear protection when using power tools.</p>
<p>Eye Protection</p> 	<p>Ensure eye protection is always worn when cutting or drilling.</p>
<p>Manual Handling</p> 	<p>Do not attempt to lift bar assemblies or rock sliders on your own.</p> <p>Always use two people to lift or use mechanical Lifting aid such as hydraulic lifting trolley.</p>
<p>Vehicle Support</p> 	<p>Always ensure vehicle is properly supported when working on it. Do not attempt to fit products whilst suspension work is being carried out. Do not work under a vehicle supported only by a jack.</p>



1. Remove Factory side steps if fitted by removing the 6x Bolts (2 Per mount) securing them to the body using a 12mm socket.
2. Discard Factory steps and bolts.

TOOLS REQUIRED
12mm socket

FASTENERS
6x Factory Flange head Bolts (per side)



3. Installation of the front bracket is as shown (viewing up from underneath the vehicle). Locate the area around the front cross member on the LHS of the vehicle.
4. Remove the M6 bolt that is already on the vehicle shown with the arrow.
5. Put the LH front mount up to the chassis as shown and reinstall the factory M6 bolt. Leave loose.
6. Using a nut plate, install an M10x30 bolt on the top side of the photo, again leaving it loose.
7. Next fit M10x30 bolt on bottom side of photo with flange nut. You may need to undo the M6 from step 4 holding the plastic guard to get the nut into place. Leave loose.

TOOLS REQUIRED

16 or 17mm socket/
spanner (depends on bolt
supplier)

10mm socket/spanner

FASTENERS

2x M10 x 30 hex bolt
2x M10 flat washer
1x M10 flange nut
1x M10 nut plate
1x M6 factory bolt



8. Insert a nut plate through the chassis window shown with the arrow.
9. Put a small bend in the stick with your hand and then line up the nut plate with the corresponding point on the front mount and feed in an M10x30 bolt and washer.
10. Once the bolt has been started, use a floor jack to hold the front of the mount up as high as it will go while using a flat blade screwdriver to lever the mount as far away from the centre of the vehicle as possible. Then torque up the M10 bolt.
11. Remember this bracket needs to be as high as possible in its slot.
12. Torque 3 bolts underneath.

TOOLS REQUIRED

16 or 17mm socket/
spanner (depends on bolt
supplier)

Hydraulic floor jack

Flat blade screwdriver

FASTENERS

1x M10 x 30 hex bolt
1x M10 flat washer
1x M10 nut plate



13. To fit the middle and rear mounts on the LHS, the fuel tank needs to be lowered for bolt access.
14. To lower the fuel tank, place a floor jack under the front half of the fuel tank and lightly touch the tank.
15. Remove 2x bolts on holding the front strap of the fuel tank.
16. Gently lower the front end of the tank down about 100mm with the jack. Leave jack in place to support the tank.

TOOLS REQUIRED

- 14mm socket
- Hydraulic floor jack

FASTENERS

- 2x Factory bolt



17. Fit the middle mount approximately 75mm rearwards of the middle chassis cross member (circled).
18. If the fit is very loose on the chassis rail, insert the supplied shim(s) between the mount and chassis at the location shown with the arrow.
19. Using a long socket extension bar, feed 2x M10x120 bolts and washers over the top of the fuel tank and chassis rail from the centre of the car, and through the slots on the top of the mount. Secure with flange nuts. Ensure bolts sit in between the chassis rail and any brake lines.
20. Push the mount as high up as possible and torque the bolts.

TOOLS REQUIRED

16 or 17mm socket/
spanner (depends on bolt
supplier)

Socket extension bar

FASTENERS

2x M10x120 hex bolt
2x M10 flat washer
2x M10 flange nut



21. Fit the rear mount approximately 75mm forwards of the rear cabin mount.
22. If the fit is very loose on the chassis rail, insert the supplied shim(s) as explained in step 18.
23. Using a long socket extension bar, feed 3x M8x120 bolts and washers over the top of the fuel tank and chassis rail from the centre of the car, and through the slots on the top of the mount. Secure with flange nuts. Ensure bolts sit in between the chassis rail and any brake lines.
24. Push the mount as high up as possible and torque the bolts.
25. Raise the fuel tank and resecure the fuel tank strap with the 2x Factory bolts.

TOOLS REQUIRED

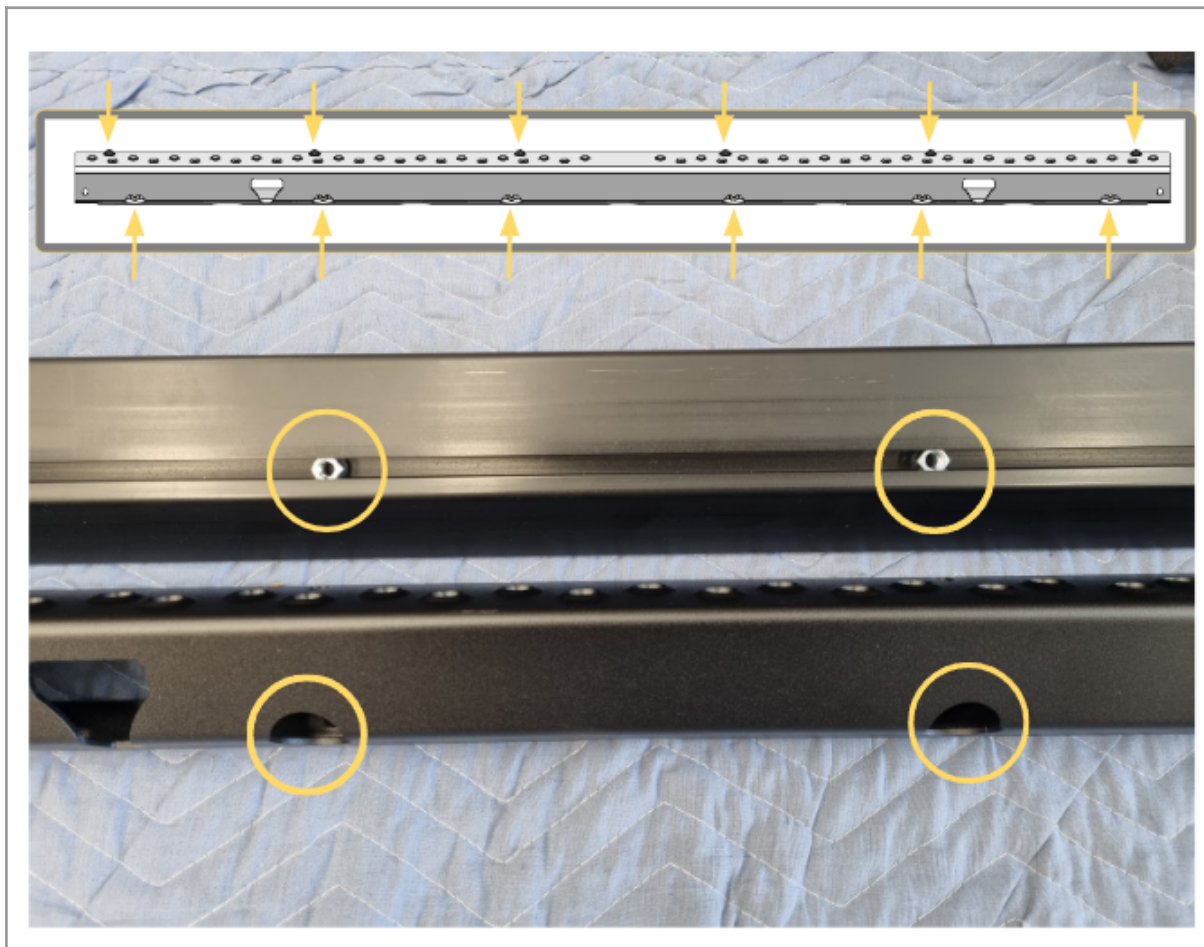
13mm socket/ spanner
14mm socket

Socket extension bar

Hydraulic floor jack

FASTENERS

3x M8x120 hex bolt
3x M8 flat washer
3x M8 flange nut
2x Factory bolt



26. Find an open space and place the step in line with the slider extrusion.
27. Feed M8 nuts through the top and outside slots in the extrusion and carefully line them up with the corresponding mounting holes in the step. There are 6x nuts for the top slot and 6x nuts for the outside slot.

TOOLS REQUIRED

FASTENERS

12x M8 Nut



- 28. Fit the step onto the slider extrusion.
- 29. Use M8x20 black button head screws, black M8 washers and M8 Nuts on 6x locations on the top row of the step.
- 30. Use M8x20 cap head screws, M8 washers and M8 nuts on 6x locations on the bottom side of the step.

TOOLS REQUIRED

FASTENERS

- 6x M8x20 black button Head
- 6x M8x20 cap head
- 12x M8 Black Washer



31. Adjust the position of the step on the slider extrusion so it is central.
32. Clamp the step to the extrusion with a set of soft clamps to ensure they are pressed firmly up against each other.
33. Once happy with the alignment, tighten all bolts on slider extrusion, using a 5mm and 6mm hex key.

TOOLS REQUIRED

Rubber mallet

Soft Clamps

5mm Hex key

6mm Hex key

FASTENERS



34. Insert 1x M6 cage nut in the rectangular slot of the outer section of the stub nose endcap with a flat blade screwdriver.
35. Assemble the corresponding endcap rear cover to the outer section and secure with 2x M6x20 black button head screws, black washers and flange nuts. Leave finger tight at this stage.

TOOLS REQUIRED

Flat blade screwdriver

FASTENERS

2x M6x20 black button head
head
2x M6 black washer
2x M6 flange nut
1x M6 cage nut



- 36. Slide 2x M10 Hex nuts into the T slots on the back side of the extrusion. (1 per slot)
- 37. Fit the end cap to the end of the extrusion.
- 38. Secure with M10x15 button head screws and washers on T slot nuts and M6x20 black button head and washer on the outside, through the step plate. Tighten bolts once aligned properly.

TOOLS REQUIRED

- 4mm Hex key
- 6mm Hex key

FASTENERS

- 2x M10x15 button head
- 2x M10 flat washer
- 2x M10 hex nut
- 1x M6x20 black button head
- 1x M6 black washer



- 39. Slide 12x M10x25 Hex bolts into the T slots on the back side of the extrusion. 4 bolts per slot.
- 40. Loosely arrange the bolts in 3x groups of 4, in approximate location of mounts on the vehicle.
- 41. Fit the mirrored end cap to the remaining end of the slider, as per install steps 34-38.

TOOLS REQUIRED

4mm Hex key
6mm Hex key

FASTENERS

8x M10x25 Hex head



- 42. With the help of a mate or other lifting equipment, lift the slider up to the mount brackets. Align all the bolts so they fit through the corresponding holes in the brackets.
- 43. Once all the bolts are through into the brackets, put flange nuts on bolts to hold the slider up.

TOOLS REQUIRED

FASTENERS

12x M10 Flange Nut



- 44. Adjust the fore / aft position of sliders on mounts to achieve even appearance if required.
- 45. Torque all M10 flange nuts.

TOOLS REQUIRED

15mm socket/spanner

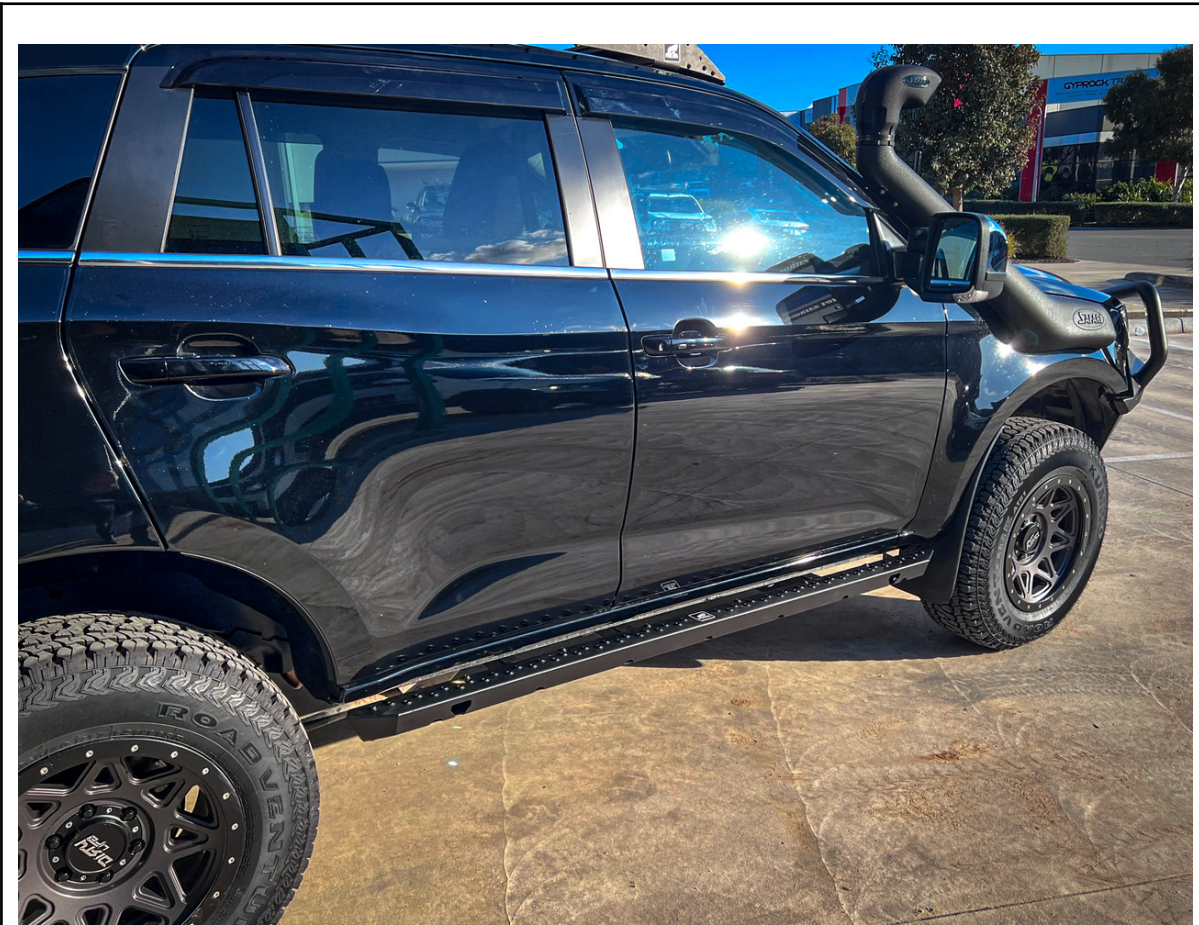
FASTENERS



- 46. Don't be stiff, put the supplied logo plates on the step as shown. It looks much better with it on.
- 47. Repeat the entire install for RHS (easier side) and you're all done.

TOOLS REQUIRED

FASTENERS



Congratulations!
Head for the tracks and enjoy your newly protected Wagon!