



SUZUKI JIMNY JB74 2018+

Scout Roof Rack FITTING INSTRUCTION

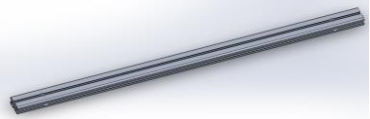
IMPORTANT! – READ BEFORE INSTALLATION

- This product must be installed exactly as per these instructions using only hardware supplied.
- Take a few moments to read instructions thoroughly before beginning work.
- In the event of damage to any bar component please contact OFFROAD ANIMAL to arrange repair/replacement of components.
- Do not use this product for any vehicle make or model other than that specified on these instructions.
- Do not remove labels from this product.
- This product and its fixings must not be modified in any way unless stated in these fitting instructions.
- The installation of this product is recommended for trained personnel.
- These instructions are correct at time of publication. OFFROAD ANIMAL cannot be held responsible for the impact of any changes subsequently made by the vehicle manufacturer. If you find something has changed, please contact us to let us know!
- During installation it is the duty of the installer to check correct operation/clearances of all components.
- If Instructions are to be printed for reference in the workshop, it is recommended that they are printed in colour, for best legibility.
- Vehicle roof rated to 30kg, and our rack weighs in at 23kg, so legally you can only carry 7kg of gear up there, however our Rack can hold 150kg with this system, so legally speaking what you put up there is up to you sorry.

PARTS LISTING

IMPORTANT: Check all parts are present before beginning work! Contact OFFROAD ANIMAL if something is missing.

Main Parts – Cross Rail Kit

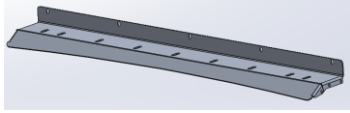
Qty	Part Number	Description	Image
6	E-0005 - 1250	Scout Roof Rack – Cross Bar Extrusion 1250MM	

Main Parts – Main Fitting Kit

Qty	Part Number	Description	Image
1	B-0715L	JIMNY JB74 Scout Roof Rack Side Rail LEFT HAND	
1	B-0715R	JIMNY JB74 Scout Roof Rack Side Rail RIGHT HAND	
1	B-0716	JIMNY JB74 Scout Roof Rack Wind Deflector	
6	B-0717	JB74 Clamp inner	
6	B-0718	JB74 Clamp outer	



Optional Light Bar Kit – Purchased Separately

Qty	Part Number	Description	Image
1	RR-SJM-JB74-18-SCT-LBKIT	Jimny JB74 Scout Roof Rack Light Bar Wind Deflector	

Small Parts – Contained in Small Parts Kit Bag

QTY.	PART NO.	DESCRIPTION
6	M6x20 BHCS BLACK ZINC	SCREW, BUTTON HEAD CAP, M6X20X1 GR12.9 BLACK ZP
6	M6 FLAT WASHER BLACK ZINC	M6 FW BLACK ZP
6	M6 Nyloc nut	Nyloc nut, M6, G8.8 ZP
17	M8 NUT	Hex Nut, M8x1.25 G8.8 ZP
59	M8 HD FLAT WASHER - BZP	M8 FLAT WASHER - High Tensile 19x8x2mm, BLACK ZINC PLATE
17	M8 X 16 BHCS BZP	SCREW, BUTTON HEAD CAP, M8X16X1.25 GR12.9 BLACK ZP
6	M8 Cage nut	Nut, Cage, M8 x 1.25 Zinc plate
6	M8x40 BHCS BZP	Screw, Button Head Cap, M8 x 40 x 1.25, GR12.9 Black Zinc plate
12	M8 FLANGE NUT	Flange Nut, M8x1.25 G8.8 ZP
36	M8 X 20 BHCS BLACK ZINC	SCREW, BUTTON HEAD CAP, M8X20X1.25 BLACK ZP
2	OFA-LOGO	OFFROAD ANIMAL METAL LOGO



TOOLS REQUIRED

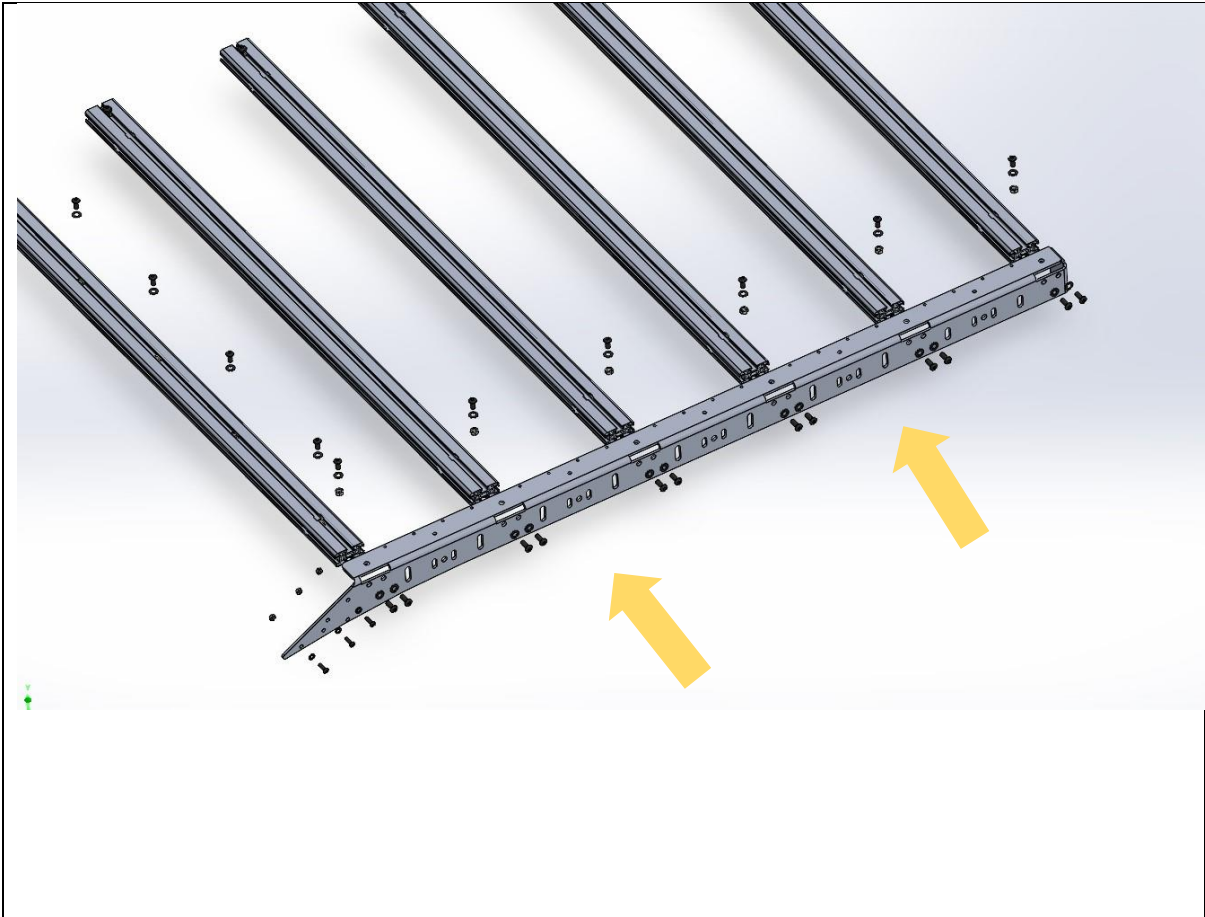
The following tools will be required to install the product. Note Extra Tools will be required for fitment of track kit. Refer to track kit

Hand Tools	Power Tools	Workshop Supplies
Hex (Allen) Key Set 4-6mm Flat head screw driver 10mm spanner		Blanket or large towel to protect roof during install

WORKSHOP SAFETY

It is the responsibility of the installer to always complete works in a safe manner. Make sure the following safety equipment is available and precautions are observed whilst fitting this product.

<p>Hearing Protection</p> 	<p>Always wear ear protection when using power tools.</p>
<p>Eye Protection</p> 	<p>Ensure eye protection is always worn when cutting or drilling.</p>
<p>Manual Handling</p> 	<p>Do not attempt to lift bar assemblies or rock sliders on your own.</p> <p>Always use two people to lift or use mechanical Lifting aid such as hydraulic lifting trolley.</p>
<p>Vehicle Support</p> 	<p>Always ensure vehicle is properly supported when working on it. Do not attempt to fit products whilst suspension work is being carried out. Do not work under a vehicle supported only by a jack.</p>



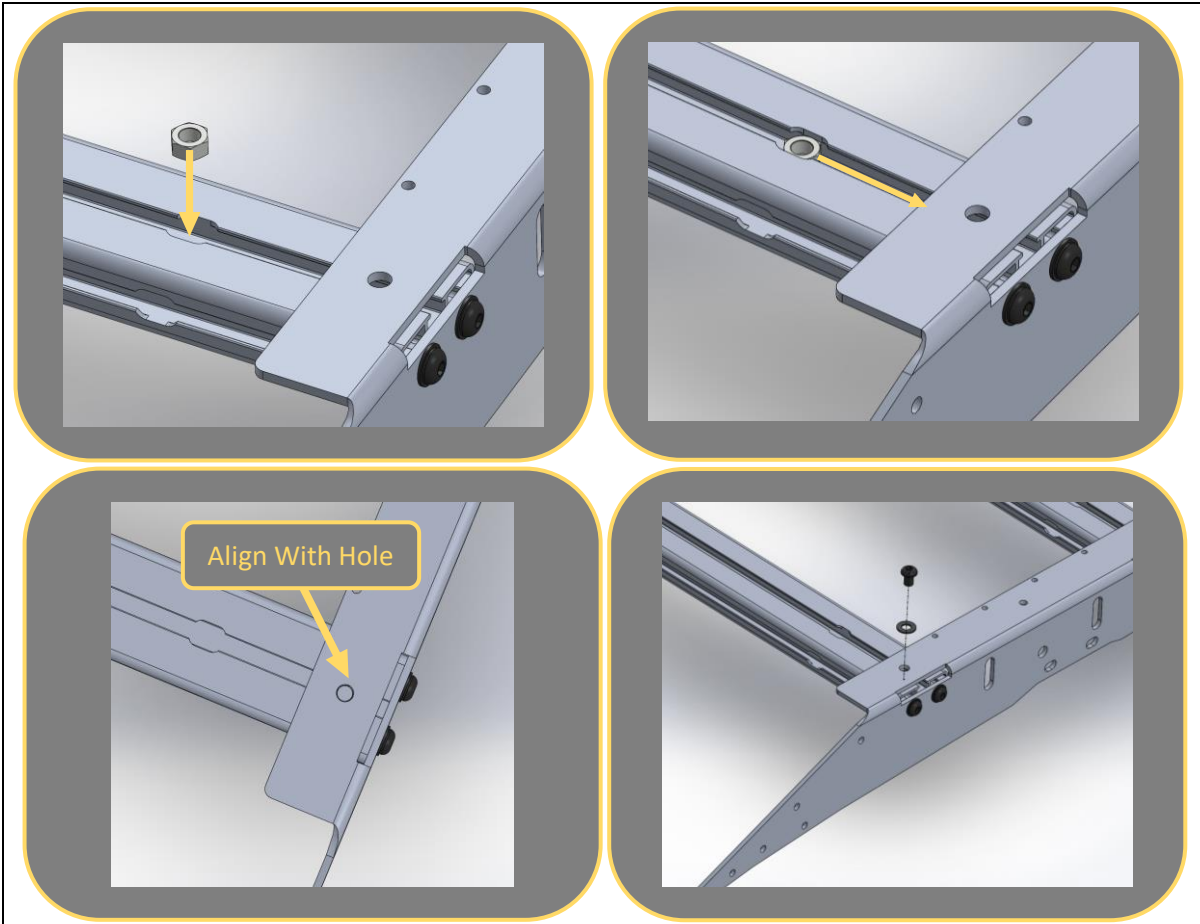
1. Fit the side rail to the extrusions,

This is easiest to do when the ends of the extrusions are hanging over the edge of a table / workbench.
2. Secure using M8x20 Button Head bolts through the side face into the Tapped holes on the side face of the extrusion.

TOOLS REQUIRED
5MM Hex Key

FASTENERS

10x M8x20 Black Button head bolt.
10x M8 Black HD Flat Washer

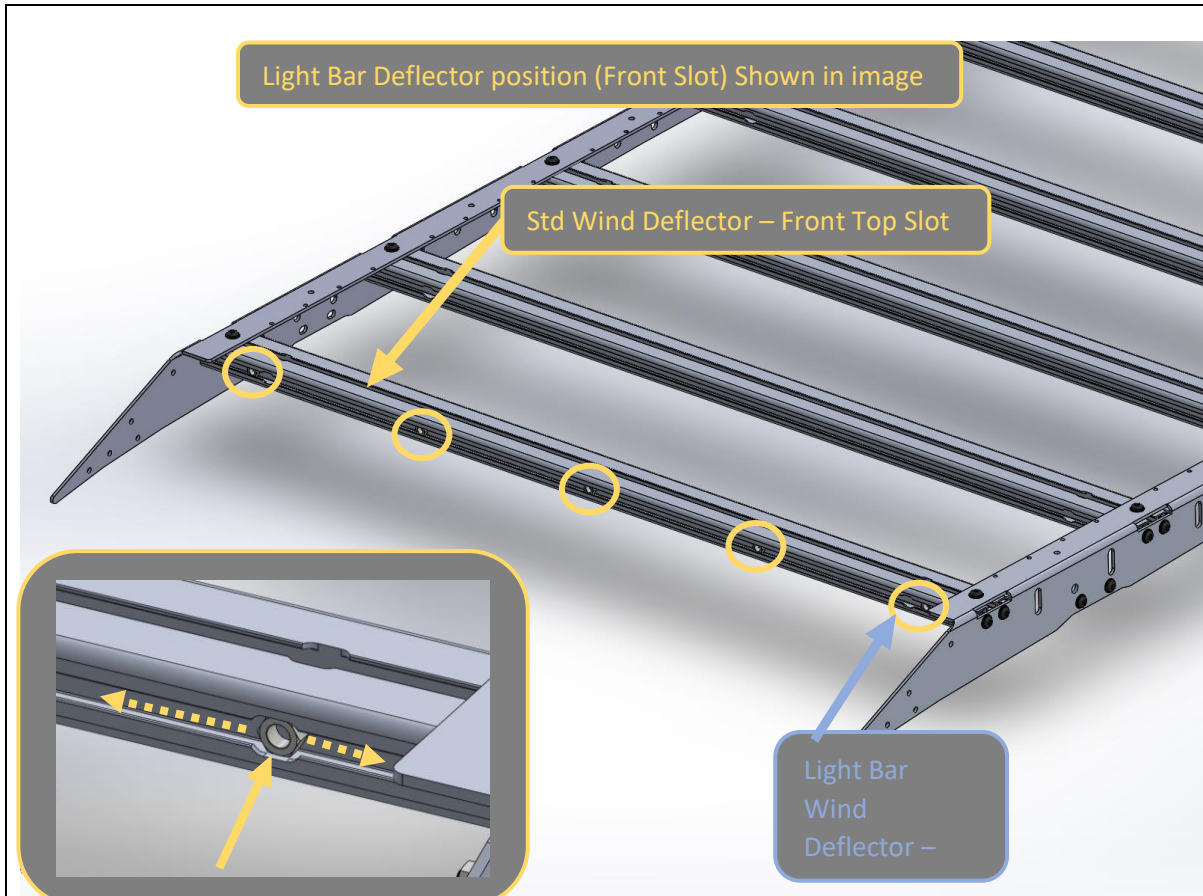


3. Insert M8 Nut into each track for securing top face of side rail.
4. Drop nut into slot in extrusion, then slide nut sideways in slot and align with hole in the side rail.
5. Secure with M8x16 Bolt + Flat Washer.
6. Complete for the other side of the rack assembly to fit the other side rail.

TOOLS REQUIRED
5MM Allen Key

FASTENERS
6x M8 Nuts
6x M8x16 Button head bolt
6x M8 Black Washer

Per Side



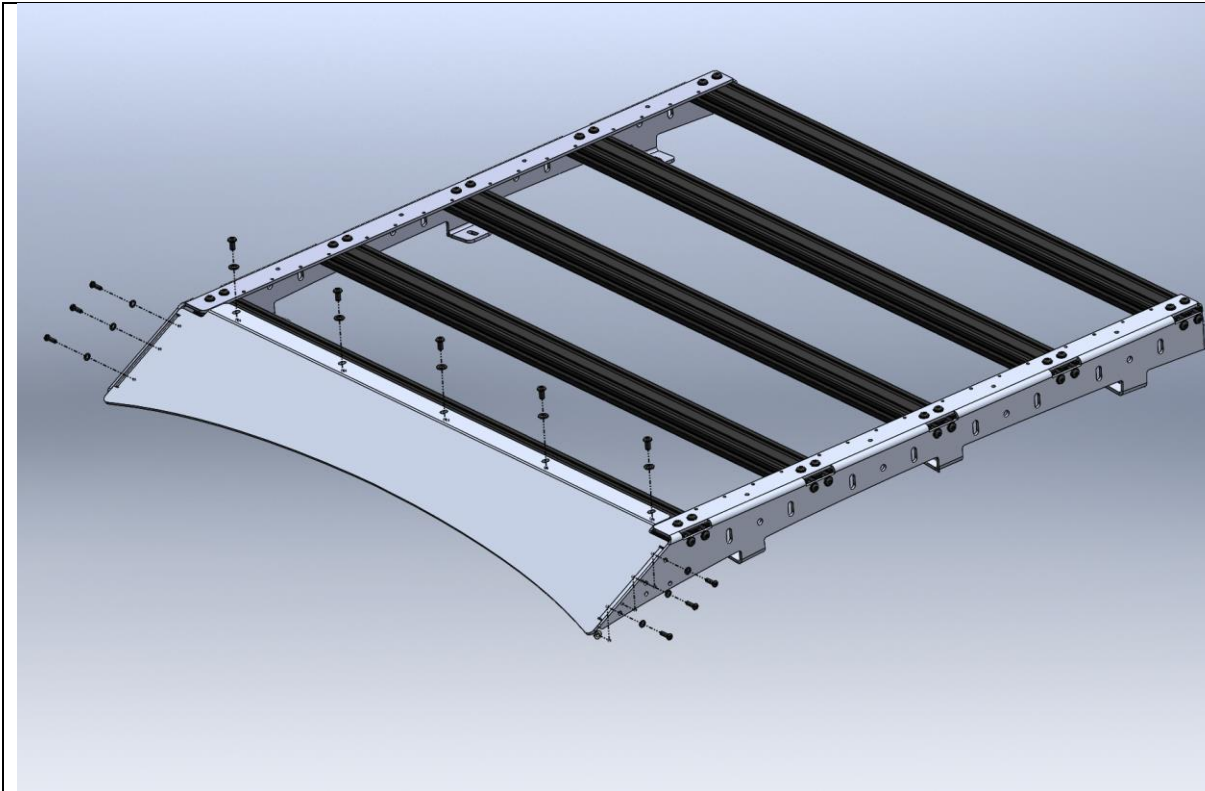
<p>7. If fitting the standard wind deflector fit the 5x M8 nuts to the top front slot of the front most extrusion member.</p> <p>8. Move nuts side to side using screwdriver to move nuts into correct positions. Gravity should hold the nut in position.</p>	<p>TOOLS REQUIRED Screwdriver</p>
<p>9. If fitting the optional light bar wind deflector, fit the nuts to the front slot of the front first extrusion member as shown above.</p>	<p>FASTENERS 5x M8 Nuts</p>



10. Fit the wind deflector to the rack assembly. The deflector should sit inside the side rails and on top of (Standard type) or in front (Light bar type) the first extrusion member.

TOOLS REQUIRED

FASTENERS



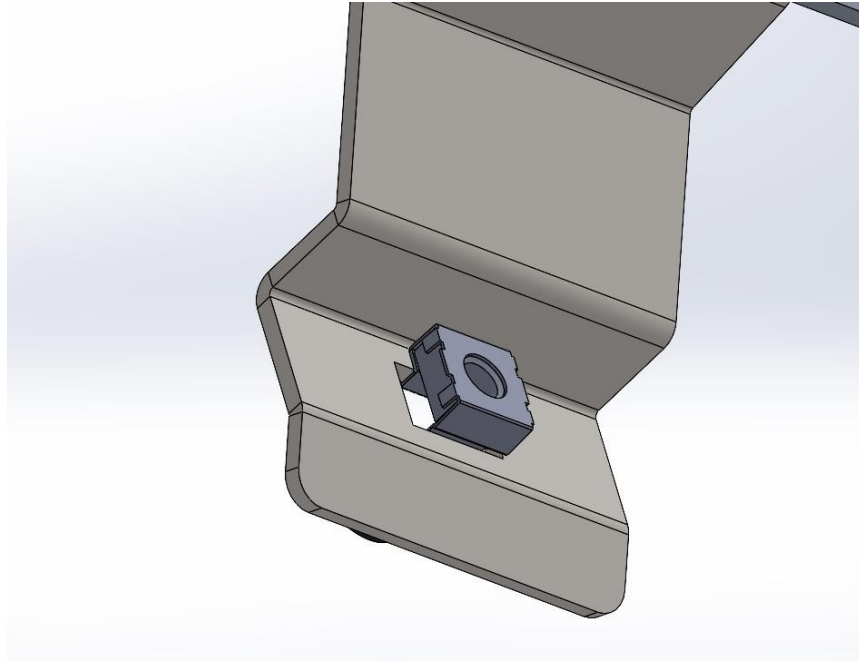
11. Secure the wind deflector to the side rails with M6x20 button head bolts, Flat washers, and nyloc nuts.
12. Secure the wind deflector to the extrusion with M8x16 button head bolts and Flat washers into the nuts in the front extrusion.
13. Once fitted ensure all bolts are tightened.

TOOLS REQUIRED

4mm Hex Key
5mm Hex Key

FASTENERS

6x M6x16 Button head bolt.
6x M6 Flat Washer
6x M6 nyloc Nut
5x M8x20 Button head bolt
5x M8 Flat Washer

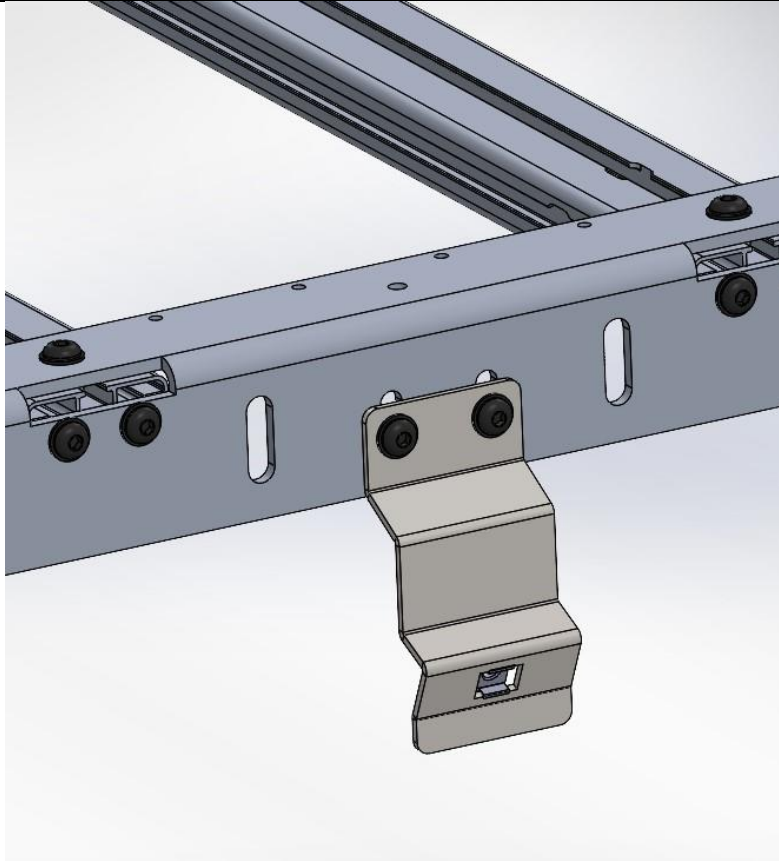


14. Fit cage nuts to the inner clamps as shown. Using a flat head screwdriver can help pop in the legs of the cage nut.

TOOLS REQUIRED

FASTENERS

6 x M8 cage nuts



15. Fit Inner clamps to the side rails as shown in the smaller vertical slots. Ensure bracket is pushed as low as possible leaving the rack at its highest point. You will later adjust this. Nip up the bolts so they hold but are not too tight
16. Repeat for all 6 inner clamps
17. Place pinch weld on the bottom edge of each inner clamp so when it sits in the rain gunner there is no metal touching the roof

TOOLS REQUIRED

5mm Hex key

FASTENERS

**12x M8x20 BHCS
4x M8 HD Flat Washer BLZP**



18. First put a blanket or towel on the front section of the roof to protect it, then with the help of a friend lift the rack onto the vehicle ensuring each inner clamp sits inside the rain gunner
19. Adjust each inner clamp against the side arms till you achieve about a 10-15mm gap between the roof and the wind deflector. Ensure the rack is parallel to the roof then torque up each clamp screw

TOOLS REQUIRED

5mm Hex Key

FASTENERS



20. Fit outer clamp as shown with rubber U channel on its lower edge to protect the roof. Torque up the M8 x 40 screws until the clamp pinches together on the rain gutter.
21. Repeat for each clamp

TOOLS REQUIRED

5mm Hex Key

FASTENERS

M8 x 40 BHCS bl zp
M8 flat washers



1. Double Check all Fasteners are tight.
2. Fit the Offroad animal logo plates to the side of the rack near the wind deflector, one each side.
3. With That you are done! Head Bush and Enjoy your new rack!

For contact details see www.offroadanimal.com