



## Toyota Landcruiser 70 Series MY2007-2023 Predator Front Bar Fitting Instruction

### **IMPORTANT! – READ BEFORE INSTALLATION**

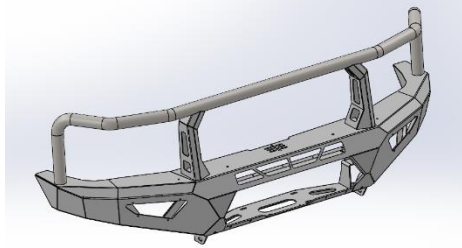
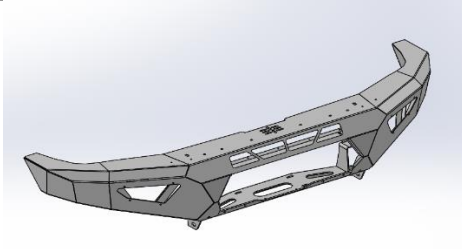
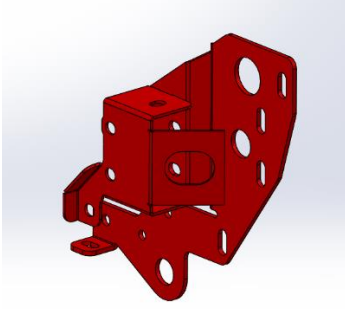
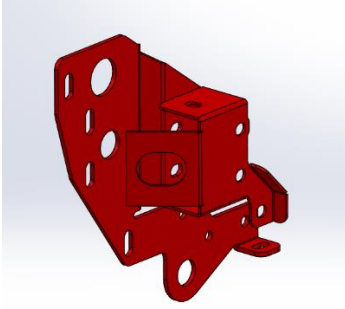
- When installed in accordance with these instructions, the front protection bar does not affect the operation of the vehicles SRS airbags.
- This product must be installed exactly as per these instructions using only hardware supplied.
- Take a few moments to read instructions thoroughly before beginning work.
- In the event of damage to any bar component please contact OFFROAD ANIMAL to arrange repair/replacement of components.
- Do not use this product for any vehicle make or model other than that specified on these instructions.
- Do not remove labels from this product.
- This product and its fixings must not be modified in any way unless stated in these fitting instructions.
- The installation of this product is recommended for trained personnel.
- These instructions are correct at time of publication. OFFROAD ANIMAL cannot be held responsible for the impact of any changes subsequently made by the vehicle manufacturer. If you find something has changed please contact us to let us know!
- During installation it is the duty of the installer to check correct operation/clearances of all components.
- If Instructions are to be printed for reference in the workshop, it is recommended that they are printed in colour, for best legibility.
- **These Instructions apply to both the Predator (Bumper only) and Predator Toro (Full Hoop) styles of bar for this vehicle.**




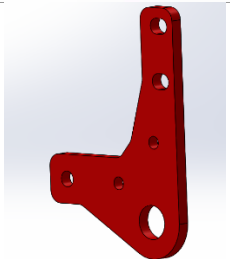
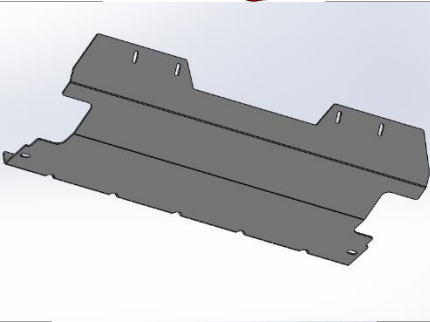
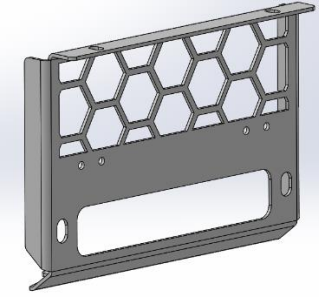
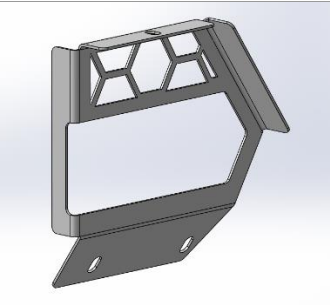
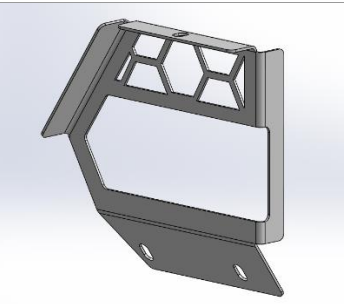
# PARTS LISTING

**IMPORTANT:** Check all parts are present before beginning work! Contact OFFROAD ANIMAL if something is missing.

## Main Parts – In the Box

Qty	Part Number	Description	Image
1	FB-TLC-70-07-PRT-ASM1	LC70 Front Predator Toro Bar Weldment	
<b>OR</b>			
1	FB-TLC-70-07-PR-ASM1	LC70 Front Predator Bar Weldment	
1	FB-TLC-70-07-PR-ASM2L	LC70 Front Mount - Welded Assembly	
1	FB-TLC-70-07-PR-ASM2R	LC70 Front Mount - Welded Assembly	

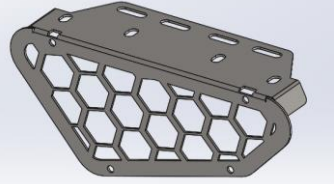
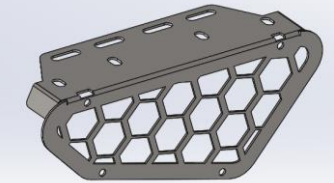
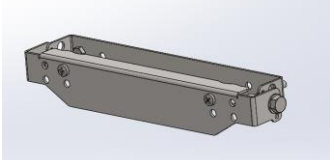


<b>2</b>	P-0080	LC70 Front Bar - Tow Spacer	
<b>2</b>	P-0081	LC70 Front Bar - Tow Outer	
<b>1</b>	U-0015	70 Series Center Bash Plate	
<b>1</b>	M-00012	LC70 Mesh Fairlead Mount	
<b>1</b>	M-0013L	LC70 Mesh Infill Panel LHS	
<b>1</b>	M-0013R	LC70 Mesh Infill Panel RHS	



FB-TLC-70-07-PR-ASM0  
Fitting Instruction

2007+ Toyota LC70  
Predator Front Bar

1	M-0002L	Light Cover Mesh	
1	M-0002R	Light Cover Mesh	
1	NPF-COM-SM-ASM0	Number plate flip asm Small	



### Small Parts – Contained in Small Parts Kit Bag

QTY.	PART NO.	DESCRIPTION
16	M12 FW LHD	M12 FW Large Heavy Duty
8	M12X30	Bolt Hex, M12X30x1.75, GR8.8 ZP
8	M12 Nyloc nut	M12 NYLOC NUT
10	M8 FLANGE NUT	Flange Nut, M8x1.25 G8.8 ZP
10	M8 FLAT WASHER- BLACK ZINC	M8 FW- BLACK ZINC
6	M8 X 20 BHCS BLACK ZINC	SCREW, BUTTON HEAD CAP, M8X20X1.25 BLACK ZP
4	M8 X 16 BHCS BZP	SCREW, BUTTON HEAD CAP, M8X16X1.25 GR12.9 BLACK ZP
8	M6 FLAT WASHER BLACK ZINC	M6 FW BLACK ZP
8	M6x16 BHCS BLACK ZINC	SCREW, BUTTON HEAD CAP, M6X16X1 GR12.9 BLACK ZP
8	M6 FLANGE NUT	Flange Nut, M6x1 G8.8 ZP
4	M10 X 40	Bolt Hex, M10X40X1.5, GR8.8 ZP
6	M10 FLANGE NUT	Flange Nut, M10x1.5 G8.8 ZP
16	M10 Flat Washer	M10 FW
2	M12X40	Bolt Hex, M12X40X1.75, GR8.8 ZP
4	M12 FLANGE NUT	Flange Nut, M12x1.75 G8.8 ZP
4	M12 FLAT WASHER	M12 FW
4	M10X30X1.25	Bolt Hex, M10X30x1.25, GR8.8 ZP
4	M10X40X1.25	Bolt Hex, M10X40x1.25, GR8.8 ZP
2	M12X125 GR10.9	Bolt Hex, M12X125x1.75, GR10.9 ZP
2	M10X50X1.25	Bolt Hex, M10X50X1.25, GR8.8 ZP
2	M10X20 BHCS	SCREW, BUTTON HEAD CAP, M10X20X1.5 GR12.9 ZP
2	P-0024	Ranger tow point spacer

### Additional Small Parts – Predator Torro Kit (Full Hoop Bar)

QTY.	PART NO.	DESCRIPTION
1	B-0238	70 Series Anenna Bracket
3	M8 X 20 BHCS BLACK ZINC	SCREW, BUTTON HEAD CAP, M8X20X1.25 BLACK ZP
3	M8 FLAT WASHER- BLACK ZINC	M8 FW- BLACK ZINC
3	M8 FLANGE NUT	Flange Nut, M8x1.25 G8.8 ZP



## TOOLS REQUIRED

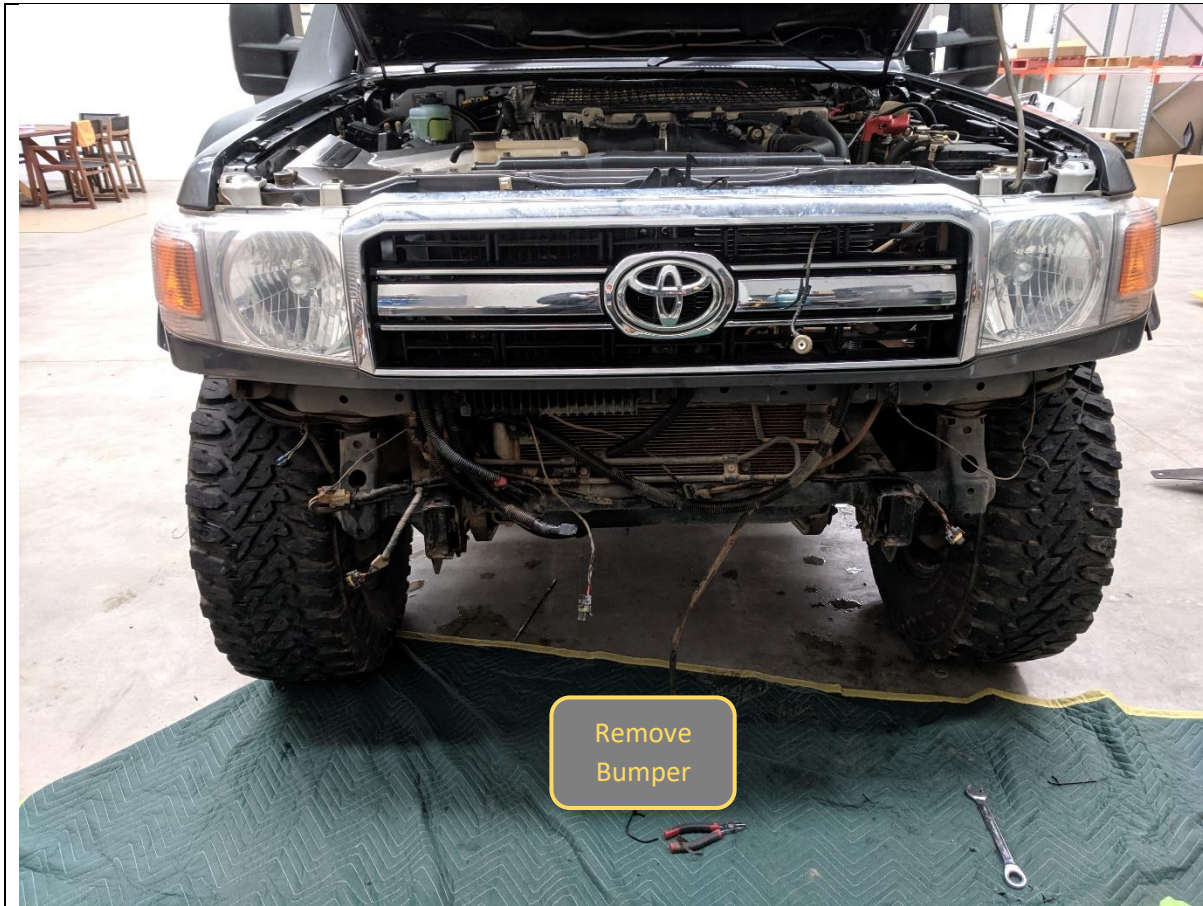
The following tools will be required to install the product.

<b>Hand Tools</b>	<b>Power Tools</b>	<b>Workshop Supplies</b>
Metric Socket Set 8-19mm Socket Extension Bar Metric Spanner Set 10-19mm Hex (Allen) Key Set 4-6mm Trim Puller Tool Flat Blade Screwdriver set Phillips Head Screwdriver set Utility Knife Side Cutters Pliers	Electric/Air Impact Driver (Optional)	Panel Stand or Soft Blanket Lifting Trolley

## WORKSHOP SAFETY

It is the responsibility of the installer to always complete works in a safe manner. Make sure the following safety equipment is available and precautions are observed whilst fitting this product.

<p>Hearing Protection</p> 	<p>Always wear ear protection when using power tools.</p>
<p>Eye Protection</p> 	<p>Ensure eye protection is always worn when cutting or drilling.</p>
<p>Manual Handling</p> 	<p>Do not attempt to lift bar assemblies or rock sliders on your own.</p> <p>Always use two people to lift or use mechanical Lifting aid such as hydraulic lifting trolley.</p>
<p>Vehicle Support</p> 	<p>Always ensure vehicle is properly supported when working on it. Do not attempt to fit products whilst suspension work is being carried out. Do not work under a vehicle supported only by a jack.</p>



<ol style="list-style-type: none"> <li>1. If Vehicle is a single cab model &gt;MY17 (5 star safety update) different impact assemblies will be required <b>FB-TLC-70-17-PR-ASM4</b>. Refer to separate instructions for removal of bumper and fitment of impact assemblies on this model. Skip to step 16 once the <b>FB-TLC-70-17-PR-ASM4</b> instructions are complete</li> </ol>	<p style="text-align: center;"><b>TOOLS REQUIRED</b></p> <p style="text-align: center;"><b>Socket and Spanner Set</b> <b>Trim Tool</b></p>
<ol style="list-style-type: none"> <li>2. Remove Vehicle Bumper, including impact rail, and impact rail support brackets. Refer to Toyota workshop manual for more details.</li> <li>3. Discard all impact rail bracket and tow hook hardware.</li> <li>4. Take care to ensure all wiring is unplugged before removing bumper.</li> </ol>	<p style="text-align: center;"><b>FASTENERS</b></p>



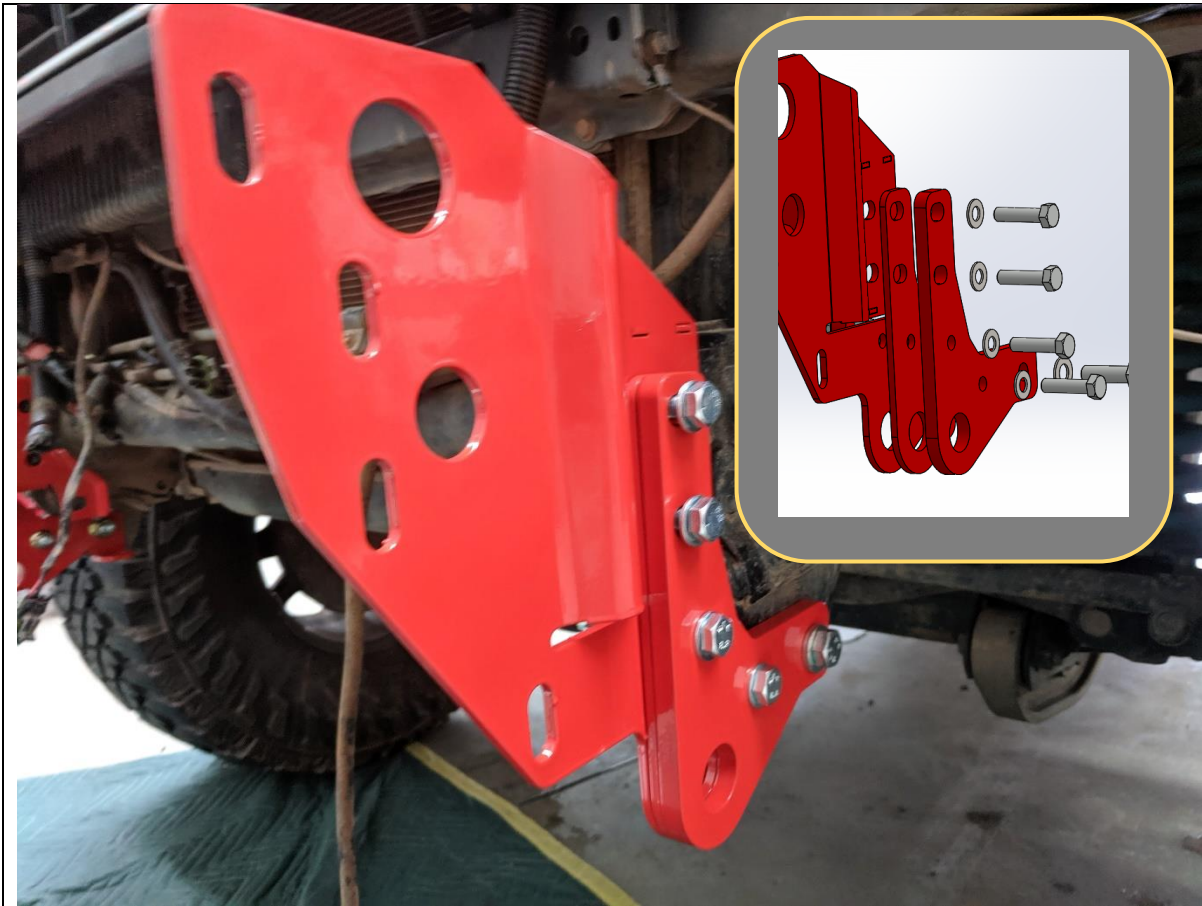


5. Fit the impact assembly to the end of chassis rail of the vehicle.
  
6. Insert M12x125 Bolt through top of mount and secure with M12 Flange nut. Leave finger tight at this stage
  
7. Repeat mount installation for other side of vehicle.

**TOOLS REQUIRED**

**FASTENERS**

M12x125 Hex bolt  
M12 Flange Nut  
M12 Flat Washer



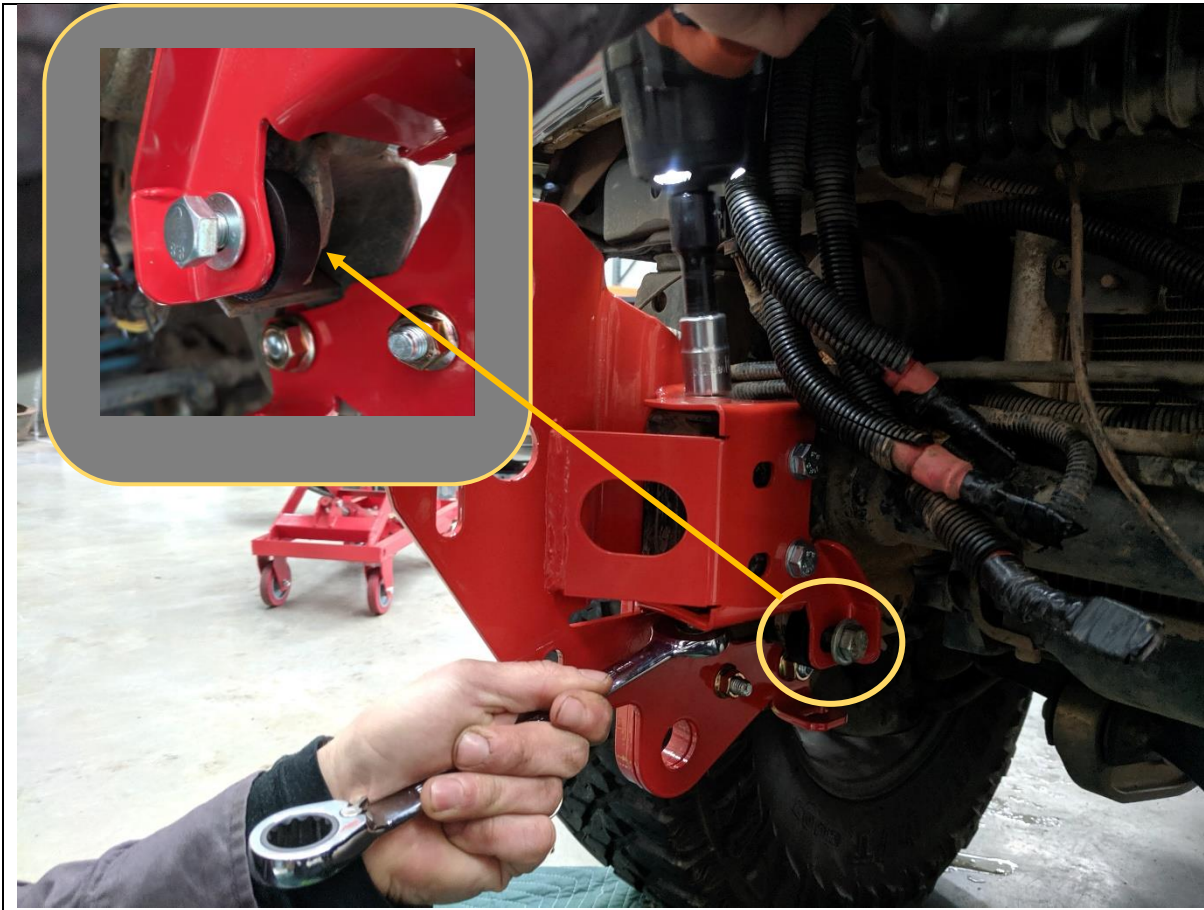
8. Align Tow spacer and Tow Outer plates with the bolt holes in chassis and Impact assembly
9. Secure to chassis captive nuts using M10x40x1.25P (Fine Pitch) bolts and Flat Washers. Take care not to cross thread the chassis captive nuts.
10. Secure to impact assembly using 2x M10x M10x40x1.5P (Coarse Pitch) Bolts Flat washers and Flange nuts and the
11. M12x40x1.75P Bolt, nut and washer at the back of mount.

**TOOLS REQUIRED**

18mm Socket and Spanner  
16 mm Socket and Spanner

**FASTENERS**

2x M10x40x1.25p (Fine) Hex Bolts  
2x M10x40x1.5p (Coarse) Hex Bolts  
4x M10 Flat Washer  
2xM12 Flange Nuts  
1xM12x40 Hex Bolt  
1xM12 Flat washer  
1xM12 Flange Nut  
1x P-0024 Spacer  
Per Side



12. Secure mount to opposite side of chassis using 2x M10x30x1.25P (Fine) bolts and M10x50x1.25 Bolt with spacer. Take care not to cross thread the chassis captive nuts.

13. Secure and tighten mounts. Repeat all steps for other side

**TOOLS REQUIRED**  
16 mm Socket and Spanner

**FASTENERS**  
2x M10x30x1.25P (Fine) Bolts  
1x M10x50x1.25P (Fine) Bolts  
3xM10 Flat Washer  
1xP-0024 Spacer



14. Car should appear as per above photo at this stage, ready for the bar to be mounted.

15. If completing any wiring for winch / light / radios it is advisable to do it at this stage whilst it is easy to reach.

**TOOLS REQUIRED**

**FASTENERS**



16. Factory Fog lights are too large to be re-fitted into bar.

17. If fitting aftermarket lights to mesh inserts, do so at this stage

**TOOLS REQUIRED**

13mm spanner / socket

**FASTENERS**

Suppled with lights



18. With assistance, either from another person, or a lifting trolley, lift the bar onto the mounts on the vehicle.
19. Secure with 4x M12x30 Bolts, Heavy Duty washers and M12 Nyloc Nuts per side, Finger tight at this stage.

**TOOLS REQUIRED**

Lifting Trolley

**FASTENERS**

8x M12x30 Bolt  
16x M12 Heavy Duty Large Washer  
8x M12 Nyloc Nut



20. With assistance from another person, Align the bar with the edges of the vehicle. Adjust such that the clearances are neat and even side to side.

Acceptable range of clearances shown in image above.

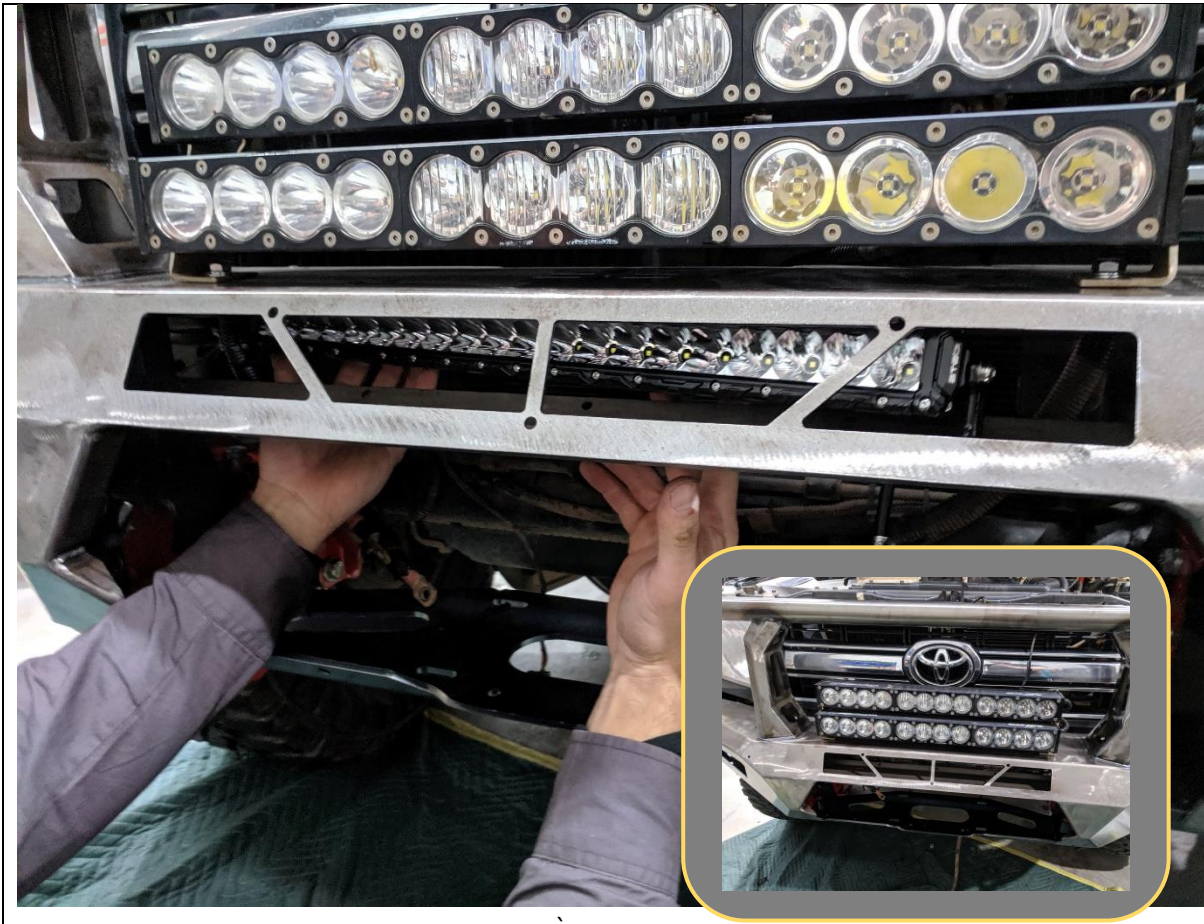
21. Once in position tighten the M12 Bolts using socket and spanner. An impact driver may be used to speed up this process.

**TOOLS REQUIRED**

Lifting Trolley  
**19mm Socket and Spanner**

**FASTENERS**

8x M12x30 Bolt  
16x M12 Heavy Duty Large Washer  
8x M12 Nyloc Nut



22. If Fitting an integrated light bar, do so now. Fit from underside through winch opening.

23. The bar is designed to fit a STEDI ST3K 21.5 inch light bar. If fitting this light bar, assemble bar with legs inward, and it will line up with the slots in the center gusset. Secure with M8 Fasteners supplied with the light bar.

24. The bar can accommodate most other "20 inch" size light bars. Holes may need to be drilled.

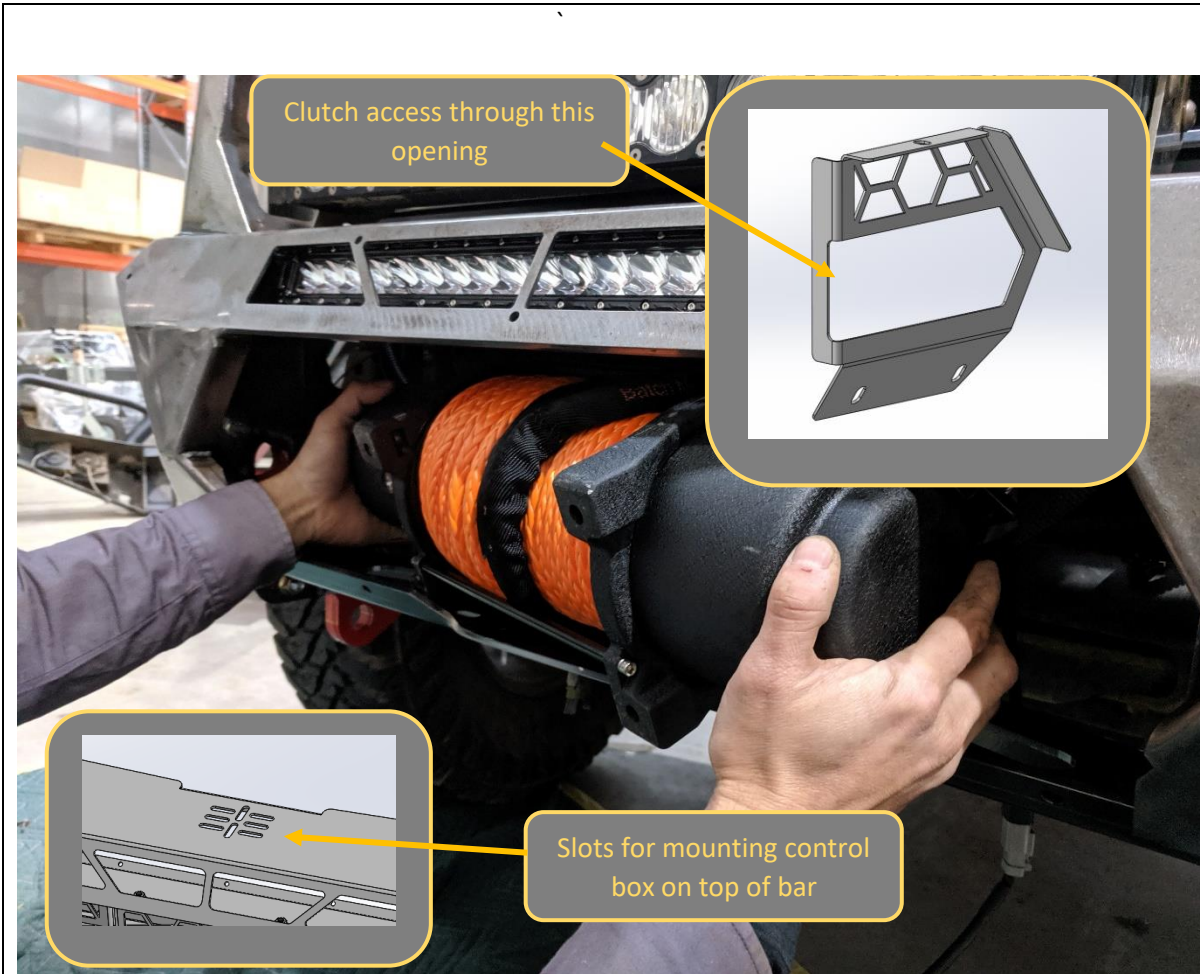
25. If fitting additional lights to top of bar, do so at this stage

**TOOLS REQUIRED**

13mm Socket  
**13mm Spanner**

**FASTENERS**





26. If Fitting a winch, do so now.

27. The bar is designed to fit most low mount winches, in foot down configuration. WARN ZEON 10 is largest winch confirmed to fit. On ZEON winches control box relocation will be required.

28. The control box is to be mounted on top of the Bar, or remotely in the engine bay. Winches usually come with a bracket to allow this. Refer to winch manufacturer.

29. Ensure clutch handle will be accessible through access hole in front mesh panel. Refer to winch instructions regarding changing clutch handle location.

**TOOLS REQUIRED**

Refer to winch fitting instructions

**FASTENERS**

Supplied with winch



30. If Required, Fit winch fairlead to Mesh Fairlead Mount (M-0012). Use M10 or 3/8" Fasteners supplied with winch. The bar is only compatible with Hawse type fairleads.

31. Fit the Mesh Fairlead Mount (M-00012) to the center of the bar, using M8x16 Button head (Top), M8x20 (Bottom) M8 Flat washers and M8 Flange Nuts.

32. Tighten fasteners using 13mm socket / spanner and 5mm Allen Wrench.

33. Fit Number plate flip kit to fairlead mount, using fasteners supplied in kit.

**TOOLS REQUIRED**

13mm Spanner  
5mm Allen Wrench

**FASTENERS**

2x M8x16 Button Head  
2x M8x20 Button Head  
4x M8 Flange Nut  
4xM8 Flat Washer



34. Fit Mesh Infill Panels (M-00013L/R). Use M8x16 Button head bolt, M8 flat washer and M8 flange nut for top mount.
35. Don't fit any bolts to bottom holes at this stage.
36. Tighten top fasteners using 13mm socket / spanner and 5mm Allen Wrench.
37. Tighten side fasteners using 13mm socket / spanner and 5mm Allen Wrench. Reach through access hole in mesh panel to reach nut.

**TOOLS REQUIRED**

- 13mm Spanner
- 5mm Allen Wrench**
- 10mm Spanner
- 4mm Allen Wrench**

**FASTENERS**

- 2x M8x16 Button Head
- 2x M8 Flange Nut
- 2xM8 Flat Washer



- 38. Place light mesh panels in wings by offering up mesh from underside of wing.
- 39. Fit Light cover mesh to bar using 4x M6x16 Button head bolts, Flat washers and M6 Flange Nuts.
- 40. Secure and tighten using 4mm Allen Key and 10mm Spanner

**TOOLS REQUIRED**  
10mm Spanner  
**4mm Allen Wrench**

**FASTENERS**

4x M6x16 BHCS – Black  
4x M6 Flat Washer  
4x M6 Flange Nut  
Per side



41. Fit Center Bash Plate (U-0015) using, M8x20 button head, flat washer and flange nut to front face. Ensure these fasteners pass through the side mesh panels and P-0072 spacer shim also.

42. Leave bolts loose at this stage

**TOOLS REQUIRED**

**FASTENERS**

2x P-0072 Shim  
4x M8x20 Button Head  
4x M8 Flange Nut  
4xM8 Flat Washer



43. Secure back of Center Bash Plate (U-0015) using M10x20 Button head, Flat washers and M10 Flange nuts.

44. Tighten Bottom fasteners using 6mm Allen wrench and 16mm spanner

Tighten front fasteners using 13mm socket / spanner and 5mm Allen Wrench. Reach through access hole in mesh panel to reach nut.

**TOOLS REQUIRED**

15mm Spanner  
**6mm Allen Wrench**  
13mm Spanner  
**5mm Allen Wrench**

**FASTENERS**

2x M10x20 Button Head  
2x M10 Flat Washer  
2x M10 Flange Nut



45. If fitting Predator Torro full hoop bar, fit antenna bracket to holes in upright if required, using M8x20 Button head bolts M8 Flat washers and M8 Flange Nuts

**TOOLS REQUIRED**

13mm Spanner  
**5mm Allen Wrench**

**FASTENERS**

3x M8x20 Button Head screw  
3x M8 Flange Nut  
3x M8 Flat washer



46. Check all Fasteners are tight.
47. Re -Fit number plate to number plate flip.
48. Head Bush and Enjoy your newly protected 70 series!

**For contact details see [www.offroadanimal.com](http://www.offroadanimal.com)**