



## Toyota Landcruiser 300 Series MY2022 onwards Window Accessory Panel

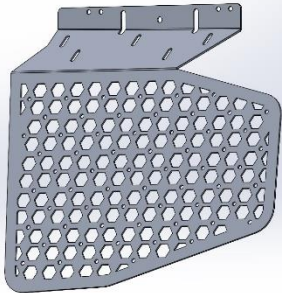
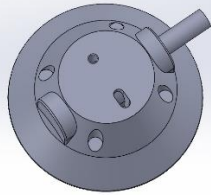
### **IMPORTANT! – READ BEFORE INSTALLATION**

- This product is designed to only work with the Offroad Animal Scout Roof Rack for the LC300
- This product must be installed exactly as per these instructions using only hardware supplied.
- Take a few moments to read instructions thoroughly before beginning work.
- In the event of damage to any bar component please contact OFFROAD ANIMAL to arrange repair/replacement of components.
- Do not use this product for any vehicle make or model other than that specified on these instructions.
- Do not remove labels from this product.
- This product and its fixings must not be modified in any way unless stated in these fitting instructions.
- The installation of this product is recommended for trained personnel.
- These instructions are correct at time of publication. OFFROAD ANIMAL cannot be held responsible for the impact of any changes subsequently made by the vehicle manufacturer. If you find something has changed please contact us to let us know!
- During installation it is the duty of the installer to check correct operation/clearances of all components.
- If Instructions are to be printed for reference in the workshop, it is recommended that they are printed in colour, for best legibility.

## PARTS LISTING

**IMPORTANT:** Check all parts are present before beginning work! Contact OFFROAD ANIMAL if something is missing.

### Main Parts – In the Box

Qty	Part Number	Description	Image
1	B-1076L/R	Landcruiser 300 Window Accessory panel, LH shown, Rh is mirror.  Only one side supplied unless both ordered	
2	Seas Sucker 4.5in	Seas Sucker 4.5in	

### Small Parts – Contained in Small Parts Kit Bag

QTY.	PART NO.	DESCRIPTION
2	¼ UNC x1 Hex	0.25in x 1 UNC hex screw, zinc plate HT
2	M6 MW	M6 Mud Guard Washer



# TOOLS REQUIRED

The following tools will be required to install the product. Note Extra Tools will be required for fitment of track kit. Refer to track kit

<b>Hand Tools</b>	<b>Power Tools</b>	<b>Workshop Supplies</b>
Metric Spanner 10mm Hex (Allen) Key 5mm		Rag Soap or detergent Water/spray bottle

## WORKSHOP SAFETY

It is the responsibility of the installer to always complete works in a safe manner. Make sure the following safety equipment is available and precautions are observed whilst fitting this product.

<p>Hearing Protection</p> 	<p>Always wear ear protection when using power tools.</p>
<p>Eye Protection</p> 	<p>Ensure eye protection is always worn when cutting or drilling.</p>
<p>Manual Handling</p> 	<p>Do not attempt to lift bar assemblies or rock sliders on your own.</p> <p>Always use two people to lift or use mechanical Lifting aid such as hydraulic lifting trolley.</p>
<p>Vehicle Support</p> 	<p>Always ensure vehicle is properly supported when working on it. Do not attempt to fit products whilst suspension work is being carried out. Do not work under a vehicle supported only by a jack.</p>



1. First thing is to clean the window on the side you are fitting the panel to.
2. Remove four M8 x 20 Black Hex screws from Offroad Animal roof rack that goes into the cross rails (skip 2 from extreme back, then remove the next 4.)

**TOOLS REQUIRED**

Rag  
Soap, detergent  
5mm Hex key

**FASTENERS**

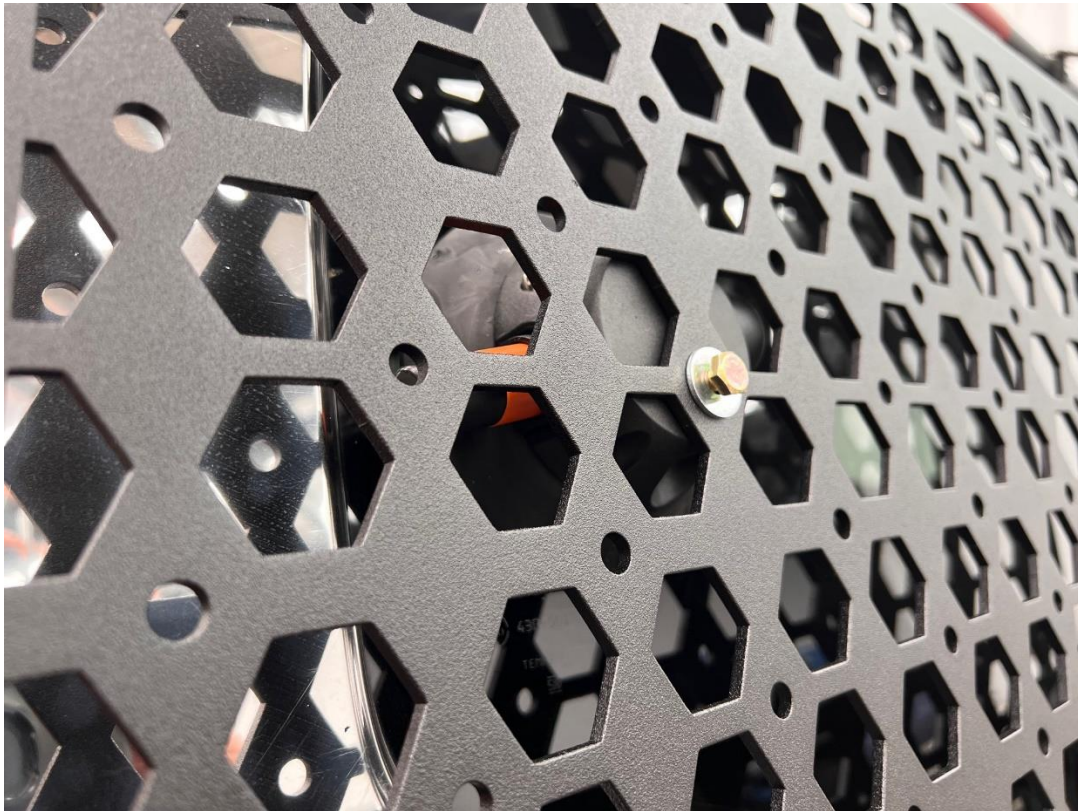


3. Loosely re-fit two screws through the window panel then into the roof rack holding the panel up.

**TOOLS REQUIRED**

**FASTENERS**





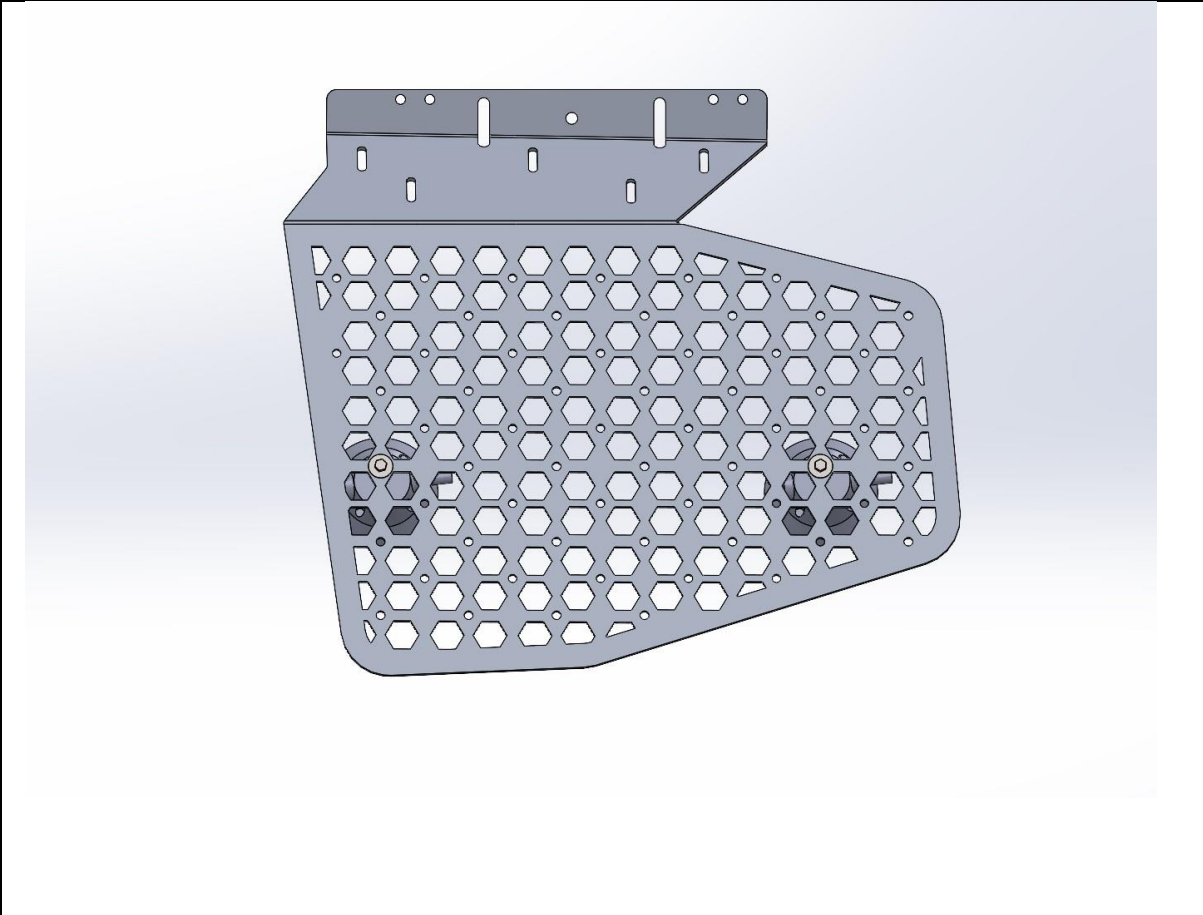
4. Spray some water on the window as suction cup seals much better over wet surface.
5. Pull the window panel up away from window and position Sea Sucker Suction cup on window so it will sit flat. See next page for ideal locations.
6. Move the suction cup to line up with mounting holes and start to thread bolt into suction cup. Then put pressure onto suction cup pushing into window and continually press the large button on the side until the orange band is hidden. This will lock the suction cup on to the window.
7. Repeat for other suction cup.

**TOOLS REQUIRED**

10mm spanner

**FASTENERS**

¼ UNC x 1" screw and mud guard washers (2)



8. Location shown for ideal placement of suction cups, so they stay fixed and flat.
9. Once suction cups are locked onto window torque up the screw.
10. Periodically check the suction cup has stayed locked to window. If it comes loose simply apply pressure again and continually press the suction button until it locks.
11. If the cup repeatedly comes loose then you'll need to re-clean the window, apply water and reseal the suction cup.

**TOOLS REQUIRED**

**FASTENERS**





12. Now mount accessories to the panel, and do not exceed 20kg.

**TOOLS REQUIRED**

**FASTENERS**

For contact details see [www.offroadanimal.com.au](http://www.offroadanimal.com.au)