



Toyota Landcruiser 300 Series MY2022 onwards Scout Roof Rack

IMPORTANT! – READ BEFORE INSTALLATION

- This product must be installed exactly as per these instructions using only hardware supplied.
- Take a few moments to read instructions thoroughly before beginning work.
- In the event of damage to any bar component please contact OFFROAD ANIMAL to arrange repair/replacement of components.
- Do not use this product for any vehicle make or model other than that specified on these instructions.
- Do not remove labels from this product.
- This product and its fixings must not be modified in any way unless stated in these fitting instructions.
- The installation of this product is recommended for trained personnel.
- These instructions are correct at time of publication. OFFROAD ANIMAL cannot be held responsible for the impact of any changes subsequently made by the vehicle manufacturer. If you find something has changed please contact us to let us know!
- During installation it is the duty of the installer to check correct operation/clearances of all components.
- If Instructions are to be printed for reference in the workshop, it is recommended that they are printed in colour, for best legibility.

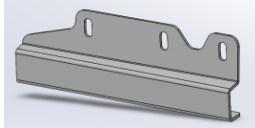
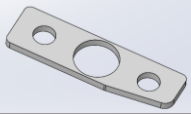
PARTS LISTING

IMPORTANT: Check all parts are present before beginning work! Contact OFFROAD ANIMAL if something is missing.

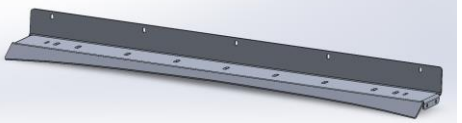
Main Parts – In the Box

Qty	Part Number	Description	Image
1	B-0696L	Landcruiser 300 Scout Roof Rack - Side Rail	
1	B-0696R	Landcruiser 300 Scout Roof Rack - Side Rail	
1	B-0697	Landcruiser 300 Scout Roof Rack - Wind Deflector	
1	B-0701L	Landcruiser 300 Scout Roof Rack - Rear Mount	
1	B-0701R	Landcruiser 300 Scout Roof Rack - Rear Mount	
1	B-0700L	Landcruiser 300 Scout Roof Rack - Middle Mount	
1	B-0700R	Landcruiser 300 Scout Roof Rack - Middle Mount	
1	B-0699L	Landcruiser 300 Scout Roof Rack - Front Mount	

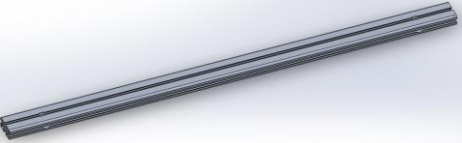


1	B-0699R	Landcruiser 300 Scout Roof Rack - Front Mount	
4	P-0220	Landcruiser 300 Scout Roof Rack – Mid / Rear Mount Plate	
2	P-0219	Landcruiser 300 Scout Roof Rack – Front Mount Plate	

Optional Light Bar Kit – Purchased Separately

Qty	Part Number	Description	Image
1	B-0698	Landcruiser 300 Scout Roof Rack - Light Bar Wind Deflector	

Cross Bar Kit

Qty	Part Number	Description	Image
7	E-0005-1250	Scout Roof Rack – Cross Bar Extrusion 1250MM	

Small Parts – Contained in Small Parts Kit Bag

QTY.	PART NO.	DESCRIPTION
63	M8 HD FLAT WASHER - BZP	M8 FLAT WASHER - High Tensile 19x8x2mm, BLACK ZINC PLATE
21	M8 NUT	Hex Nut, M8x1.25 G8.8 ZP
21	M8 X 16 BHCS BZP	SCREW, BUTTON HEAD CAP, M8X16X1.25 GR12.9 BLACK ZP
42	M8 X 20 BHCS BLACK ZINC	SCREW, BUTTON HEAD CAP, M8X20X1.25 BLACK ZP
14	M8 FLANGE NUT	Flange Nut, M8x1.25 G8.8 ZP
8	M8 X 35 HEX	Bolt Hex, M8X35X1.25, GR8.8 ZP
8	M8 X 30 HEX	Bolt Hex, M8X30X1.25, GR8.8 ZP
6	M6 FLAT WASHER BLACK ZINC	M6 FW BLACK ZP
6	M6x20 BHCS BLACK ZINC	SCREW, BUTTON HEAD CAP, M6X20X1 GR12.9 BLACK ZP
6	M6 FLANGE NUT	Flange Nut, M6x1 G8.8 ZP



TOOLS REQUIRED

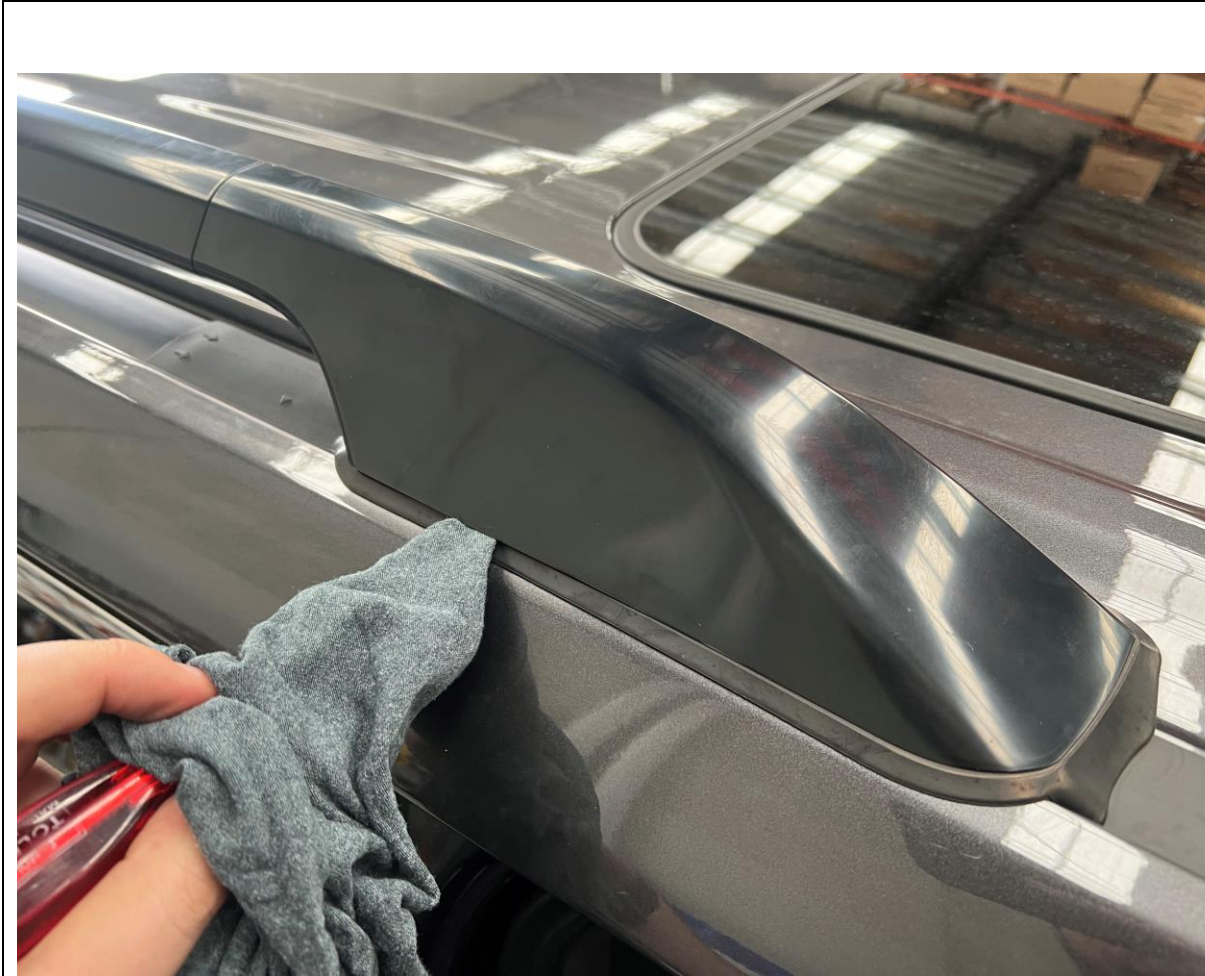
The following tools will be required to install the product. Note Extra Tools will be required for fitment of track kit. Refer to track kit

Hand Tools	Power Tools	Workshop Supplies
Metric Socket Set 8-19mm Socket Extension Bar Metric Spanner Set 10-19mm Hex (Allen) Key Set 4-6mm		Soft Blanket Rag Isopropyl Alcohol Automotive grade sealant

WORKSHOP SAFETY

It is the responsibility of the installer to always complete works in a safe manner. Make sure the following safety equipment is available and precautions are observed whilst fitting this product.

<p>Hearing Protection</p> 	<p>Always wear ear protection when using power tools.</p>
<p>Eye Protection</p> 	<p>Ensure eye protection is always worn when cutting or drilling.</p>
<p>Manual Handling</p> 	<p>Do not attempt to lift bar assemblies or rock sliders on your own.</p> <p>Always use two people to lift or use mechanical Lifting aid such as hydraulic lifting trolley.</p>
<p>Vehicle Support</p> 	<p>Always ensure vehicle is properly supported when working on it. Do not attempt to fit products whilst suspension work is being carried out. Do not work under a vehicle supported only by a jack.</p>



1. Using a rag covered screwdriver or trim tool to protect the paint, release the clips securing the front roof rail cover.
2. Remove the front cover and repeat for other side of vehicle.

TOOLS REQUIRED

Rag
Flat Screwdriver or Trim Tool

FASTENERS



3. Using a rag covered screwdriver or trim tool to protect the paint, release the clips securing the rear roof rail cover.
4. Remove the rear cover and repeat for other side of vehicle.

TOOLS REQUIRED

Rag
Flat Screwdriver or Trim Tool

FASTENERS



5. Release clips securing back side cover for center rail mount using flat blade screwdriver
6. Remove the 12MM head bolt securing the roof rail to the center rail bracket

TOOLS REQUIRED

12mm Socket

FASTENERS

Refer to track fitting instructions



7. Remove the 12MM head bolts securing the roof rail to the front and rear rail bracket.
8. Take care to remove bolts evenly as to not dislodge the nut plate from underside of roof.

TOOLS REQUIRED

12mm Socket

FASTENERS

Factory Bolts



9. Remove the roof rail from the vehicle roof.

TOOLS REQUIRED

FASTENERS



10. Remove the plastic trim by pushing in the direction of the arrows shown and lifting off the roof.
11. Remove the center rail brackets by removing the 2x 10MM head bolts.

TOOLS REQUIRED

10mm Socket

FASTENERS



12. Remove the plastic trim at the front mount by pushing in the direction of the arrows shown and lifting off the roof.

13. Remove the forward placeholder brackets by removing the 2x 10MM head bolts.

TOOLS REQUIRED

10mm Socket

FASTENERS

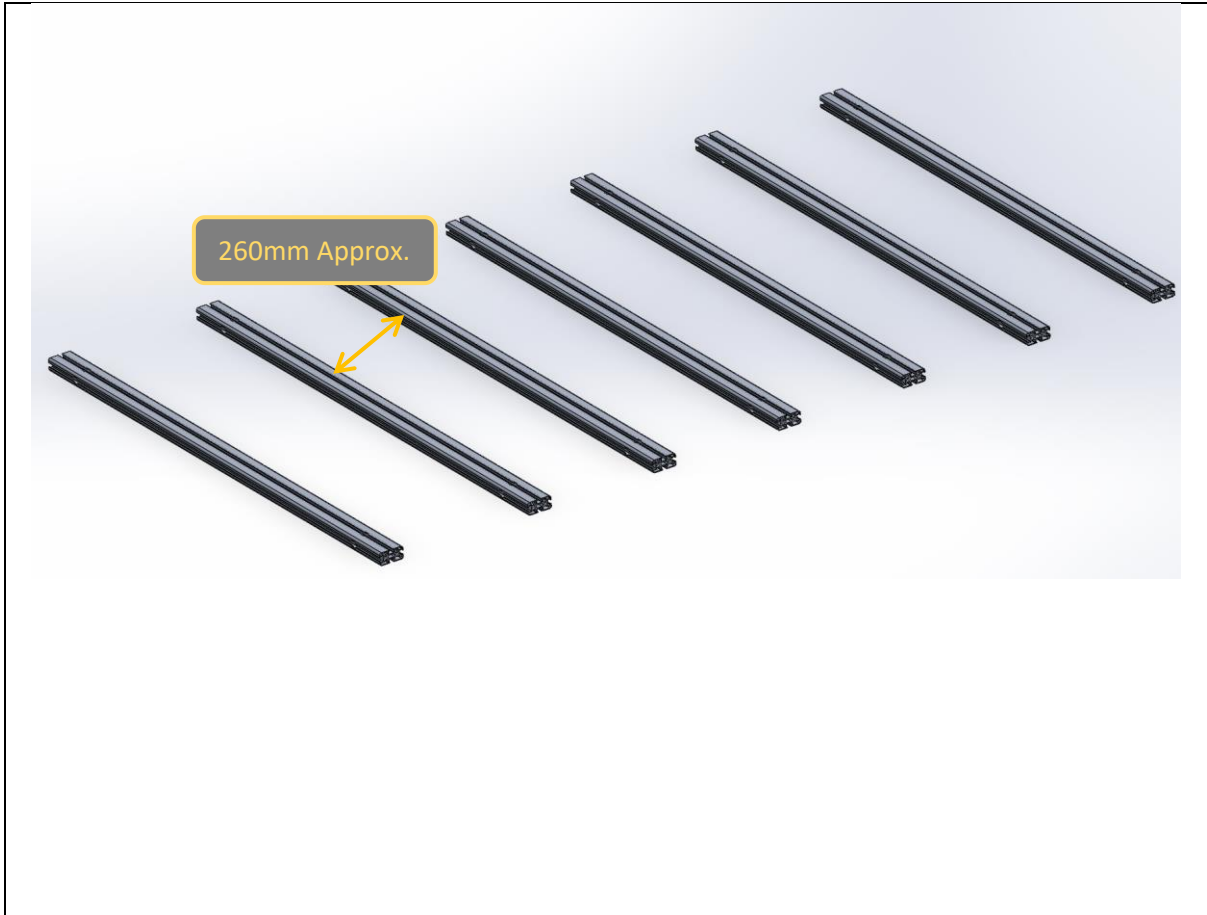


14. Clean the areas surrounding the mounting points in all 6x spots on the roof with a rag and isopropyl alcohol or wax and grease remover.
15. Take care not to push down on the plastic protruding nut guides.

TOOLS REQUIRED

Rag,
Isopropyl Alcohol

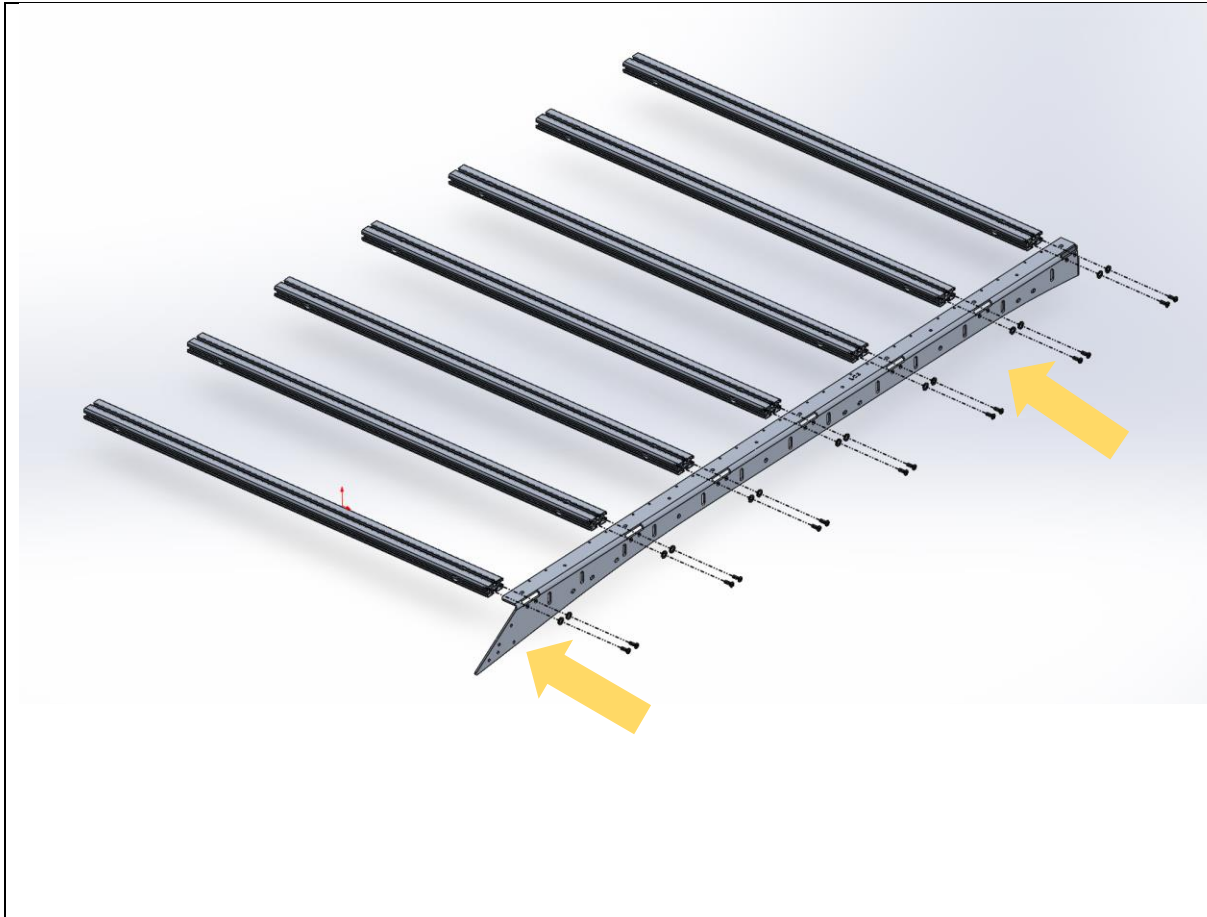
FASTENERS



16. Assemble the roof rack. Start by setting out the 7 extrusion cross bars on a table. Position them so they sit approximately 260mm apart (edge to edge).

TOOLS REQUIRED

FASTENERS



17. Fit the side rail to the extrusion,

This is easiest to do when the ends of the extrusions are hanging over the edge of a table / workbench.

18. Secure with M8x20mm Button head bolts and M8 Flat Washers as shown.

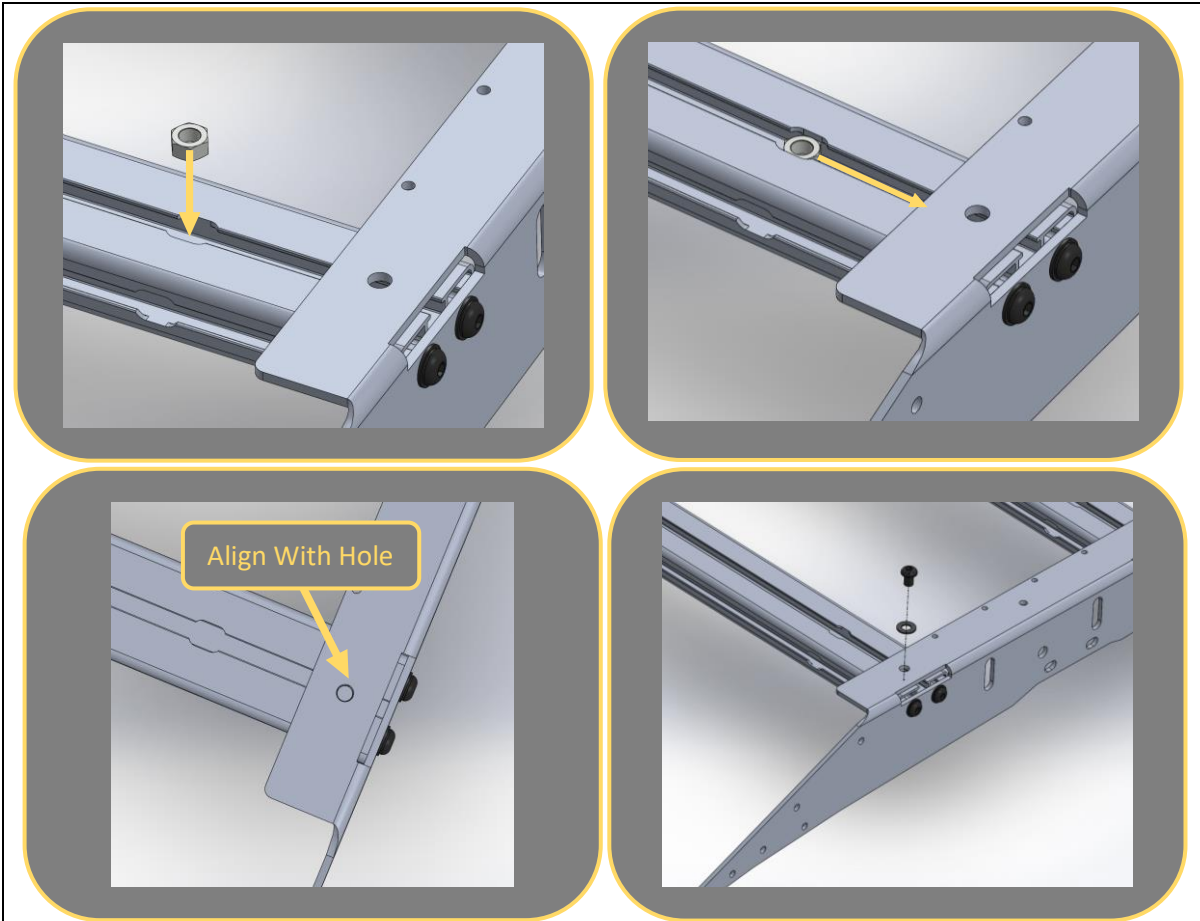
19. Complete for other side of rack also.

TOOLS REQUIRED

5MM Hex Key

FASTENERS

M8x20 BHCS and Flat Washers

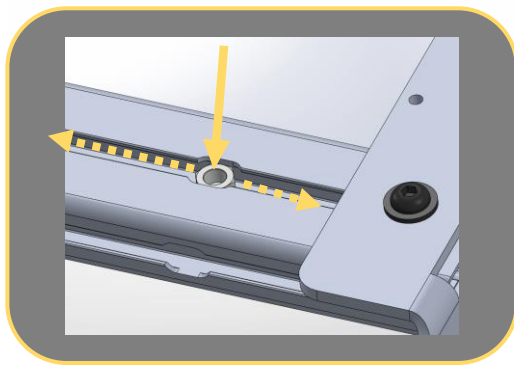
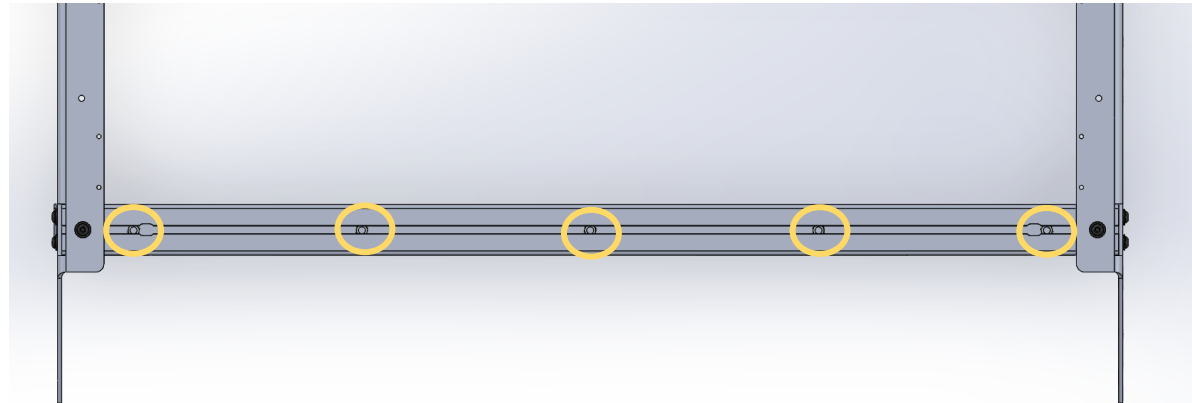


20. Insert M8 Nut into each track for securing top face of side rail.
21. Drop nut into slot in extrusion, then slide nut sideways in slot and align with hole in the side arm.
22. Secure with M8x12 Button head bolt and washer.
23. Complete steps for the other side of the rack assembly to fit the other side rail.

TOOLS REQUIRED
5MM Hex Key

FASTENERS

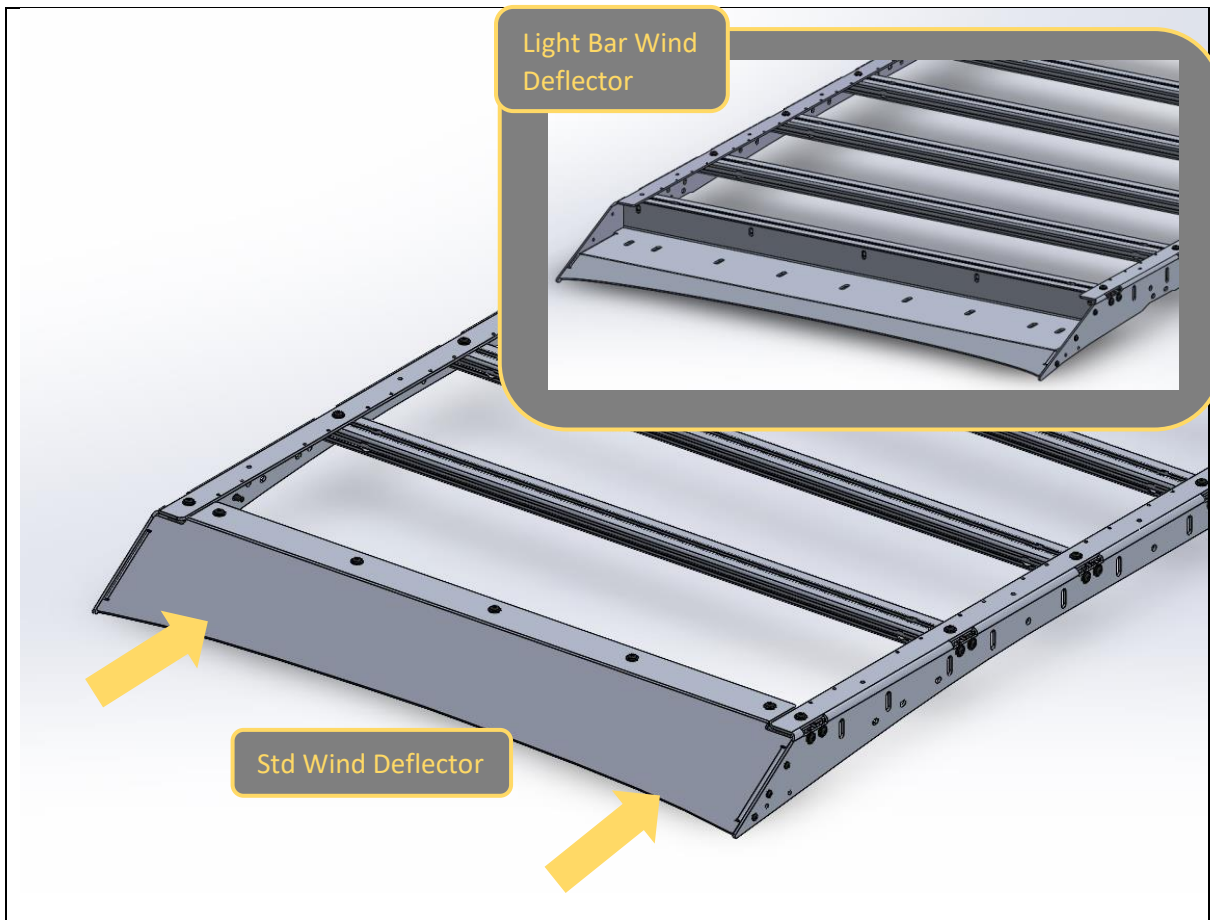
M8x12 Button head bolts
M8x16 Button head bolts.
M8 Flat Washers



24. Fit the 5x M8 in nuts to the top slot of the front most extrusion member.
25. If fitting light bar deflector fit the nuts to the front slot of the front extrusion
26. Move nuts side to side using screwdriver to move nuts into correct positions. Gravity should hold the nut in position.

TOOLS REQUIRED
Screwdriver

FASTENERS
5x M8 Nuts



27. Fit the wind deflector to the rack assembly. The deflector should sit inside the side rails in front of the first extrusion member.
28. Secure the wind deflector to the side rails with M6x16 button head bolts, Flat washers, and flange nuts.
29. Secure the wind deflector to the extrusion with M8x16 button head bolts and Flat washers into the pre fitted drop in nuts.
30. Once fitted ensure all bolts are tightened.

TOOLS REQUIRED

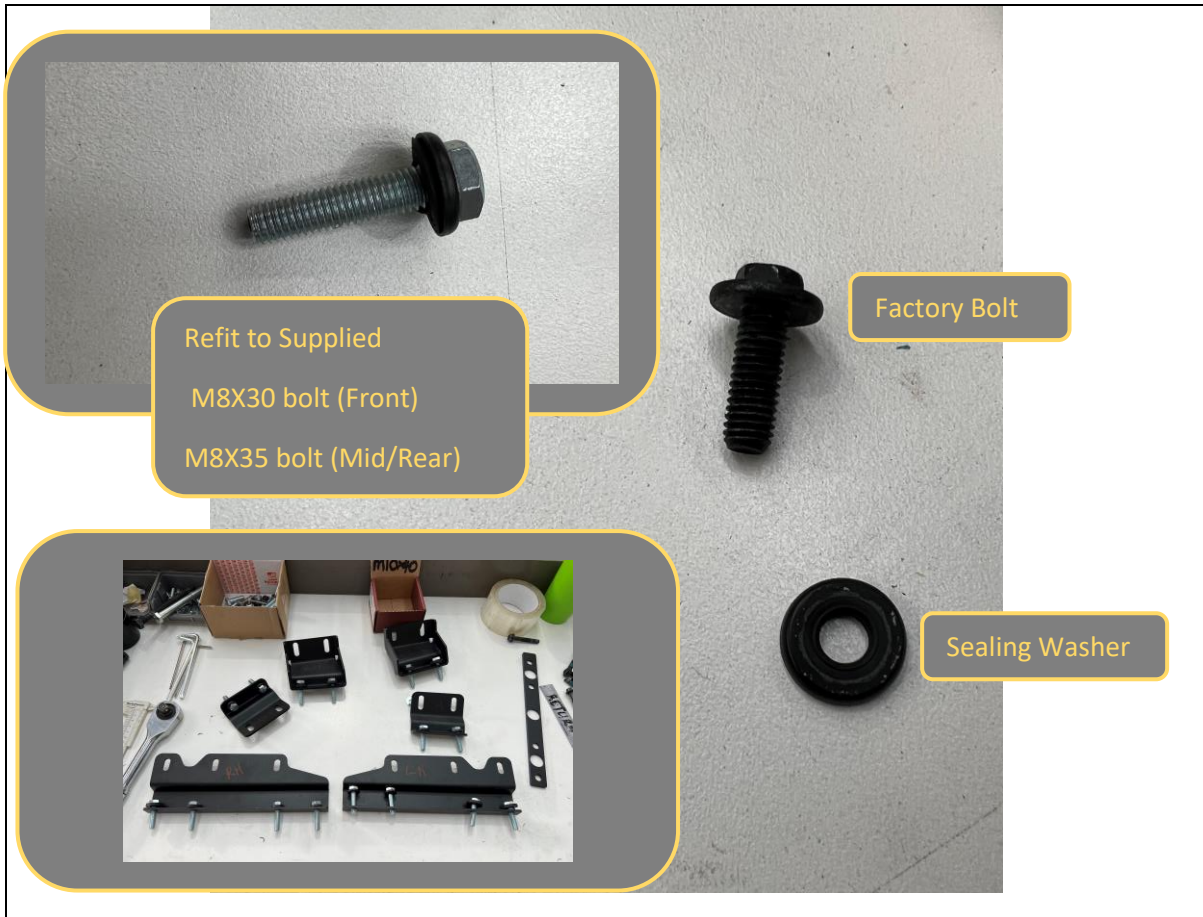
4mm Hex Key
5mm Hex Key

FASTENERS

6x M6x16 Button head bolt.
6x M6 Flat Washer
6x M6 Flange Nut
5x M8x16 Button head bolt
5x M8 Flat Washer



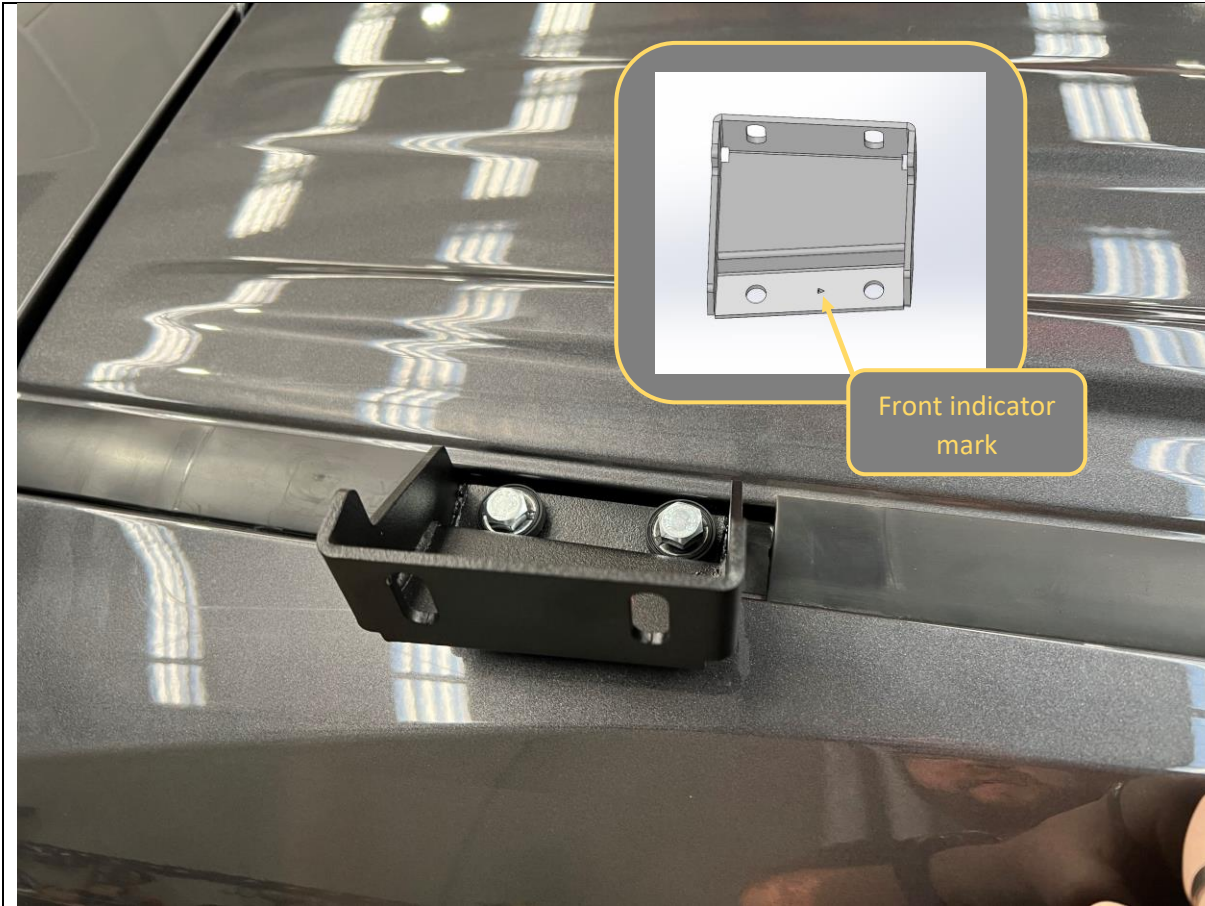
<p>31. Apply bead of sealant around holes on roof of vehicle.</p> <p>32. Place mount plates onto roof, locating over the protruding plastic bosses on the roof mounting points.</p>	<p>TOOLS REQUIRED</p> <p>Automotive Sealant</p>
	<p>FASTENERS</p>



33. Remove the rubber sealing washers and rings from the factory fasteners for re-fitment to supplied bolts.

TOOLS REQUIRED

FASTENERS



34. Fit mounting brackets to the roof rack mounting points, using supplied M8x30(Front) M8x35(mid /rear) bolts, and the re-used factory sealing washers. Leave all bolts loose at this stage.
35. Take care to ensure correct brackets are fitted to correct location. Refer to front direction marks and images at front of instruction for more information.

TOOLS REQUIRED

FASTENERS

8x M8x30 Bolts
8x M8x35 Bolts

Re Use rubber sealing washers.



36. When fitted in correct positions all the tops of the brackets should be roughly in line.
37. Leave all brackets loose at this stage.
38. Place blanket on roof to protect roof during fitment.

TOOLS REQUIRED
Blanket

FASTENERS



39. With assistance from another person, lift the rack onto the vehicle.
40. Position rack such that Mounting slots on the side arms align with the mounting brackets
- The rack should sit on the **OUTSIDE** of the mounting brackets.

TOOLS REQUIRED

FASTENERS



41. The rack should sit on the **OUTSIDE** of the mounting brackets, as shown
42. Secure rack to Mounting bracket using M8x20 Button head bolts, M8 Flat washers and M8 Flange Nuts
43. Fit all 14 bolts and leave finger tight at this stage.

TOOLS REQUIRED
5mm Hex Key

FASTENERS

- 14xM8x20 Button Head Bolt
- 14xM8 Flat washer
- 14x M8 Flange Nut



44. Align rack such that the top face is roughly level, and the gap between the rack and vehicle is consistent front to rear, and same side to side.

45. Lock in position by tightening the using M8x20 Button head bolts that secure the rack to the brackets.

46. Next tighten the M8x35 bolts securing the brackets to the car anchor points,

47. Tighten gradually, partially tightening each bolt moving around in a circular pattern until all bolts are tight.

TOOLS REQUIRED

5mm Hex Key
13mm Spanner

FASTENERS



48. Double Check all Fasteners are tight.
49. Fit the Offroad Animal logo plates to the rack – using the adhesive backing. We recommend putting them on the side near the front mount as in the picture above
50. With That you are done! Head Bush and Enjoy your new rack!

For contact details see www.offroadanimal.com