



Toyota Landcruiser 300 Series MY2022 onwards REAR DOOR LADDER



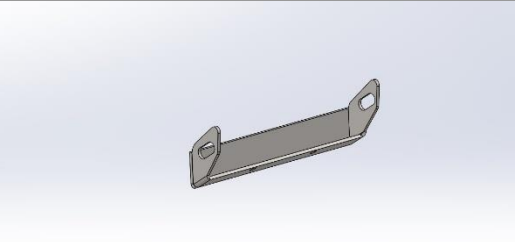
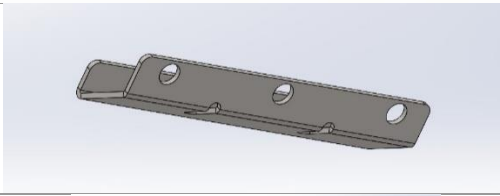
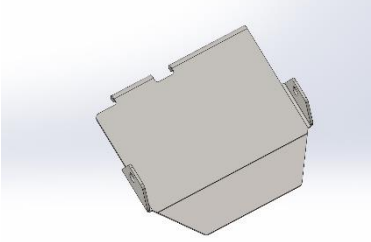
IMPORTANT! – READ BEFORE INSTALLATION

- This product must be installed exactly as per these instructions using only hardware supplied.
- Take a few moments to read instructions thoroughly before beginning work.
- In the event of damage to any bar component please contact OFFROAD ANIMAL to arrange repair/replacement of components.
- Do not use this product for any vehicle make or model other than that specified on these instructions.
- Do not remove labels from this product.
- This product and its fixings must not be modified in any way unless stated in these fitting instructions.
- The installation of this product is recommended for trained personnel.
- These instructions are correct at time of publication. OFFROAD ANIMAL cannot be held responsible for the impact of any changes subsequently made by the vehicle manufacturer. If you find something has changed please contact us to let us know!
- During installation it is the duty of the installer to check correct operation/clearances of all components.
- If Instructions are to be printed for reference in the workshop, it is recommended that they are printed in colour, for best legibility.
- Torque specs for any bolts or screws are available on your favorite web browser. We like Google for this.

PARTS LISTING

IMPORTANT: Check all parts are present before beginning work! Contact OFFROAD ANIMAL if something is missing.

Main Parts – In the Box

Qty	Part Number	Description	Image
1	P-0284	LC300 LADDER STRAIGHT UPRIGHT	
1	B-0973	LC300 LADDER ANGLED UPRIGHT	
1	B-0883	LADDER PUSHER	
1	B-0884	LADDER PULL UP	
1	B-0885	LADDER TOP PLATE	

1	B-0974	LC300 LADDER COVER	
5	30-30 1 X t SLOT-200	30-30 T SLOT ONE SIDE, 200MM LONG	
1	UC-14-3- 190MM	U CHANNEL RUBBER 190MM LONG	
1	SS-20 X 4 X 190MM	SPONGE SECTION, 190MM LONG	
1	TK-COM- PSEN-6	TAPE KIT	NO IMAGE, VHT DOUBLE SIDED TAPE AND ADHESION PROMOTOR

Small Parts – Contained in Small Parts Kit Bag

QTY.	PART NO.	DESCRIPTION
18	M8X20 BHCS BK ZP	M8 X 30 BUTTON HEAD CAP SCREW BLACK ZINC NICKEL
18	M8 FW BK ZP	M8 FLAT WASHER BLACK ZINC NICKEL
6	M8 FN	M8 FLANGE NUT
3	M8 X 40 BHCS BK ZP	M8 X 40 BUTTON HEAD CAP SCREW, BLACK ZINC NICKEL
2	M6 X 16 BHCS BK ZP	M6 X 16 BUTTON HEAD CAP SCREW, BLACK ZINC NICKEL
2	M6 FN	M6 FLANGE NUT
2	M6 FW BK ZP	M6 FLAT WASHER BLACK ZINC NICKEL

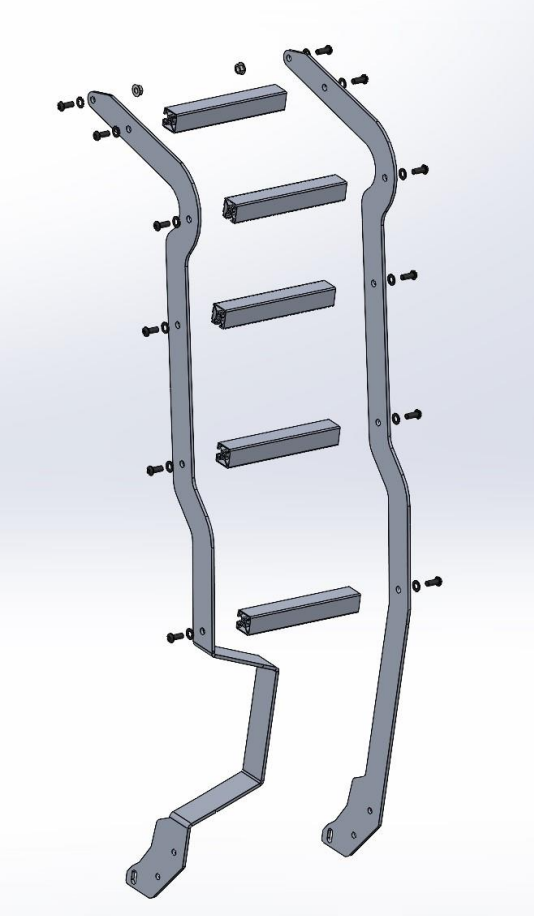


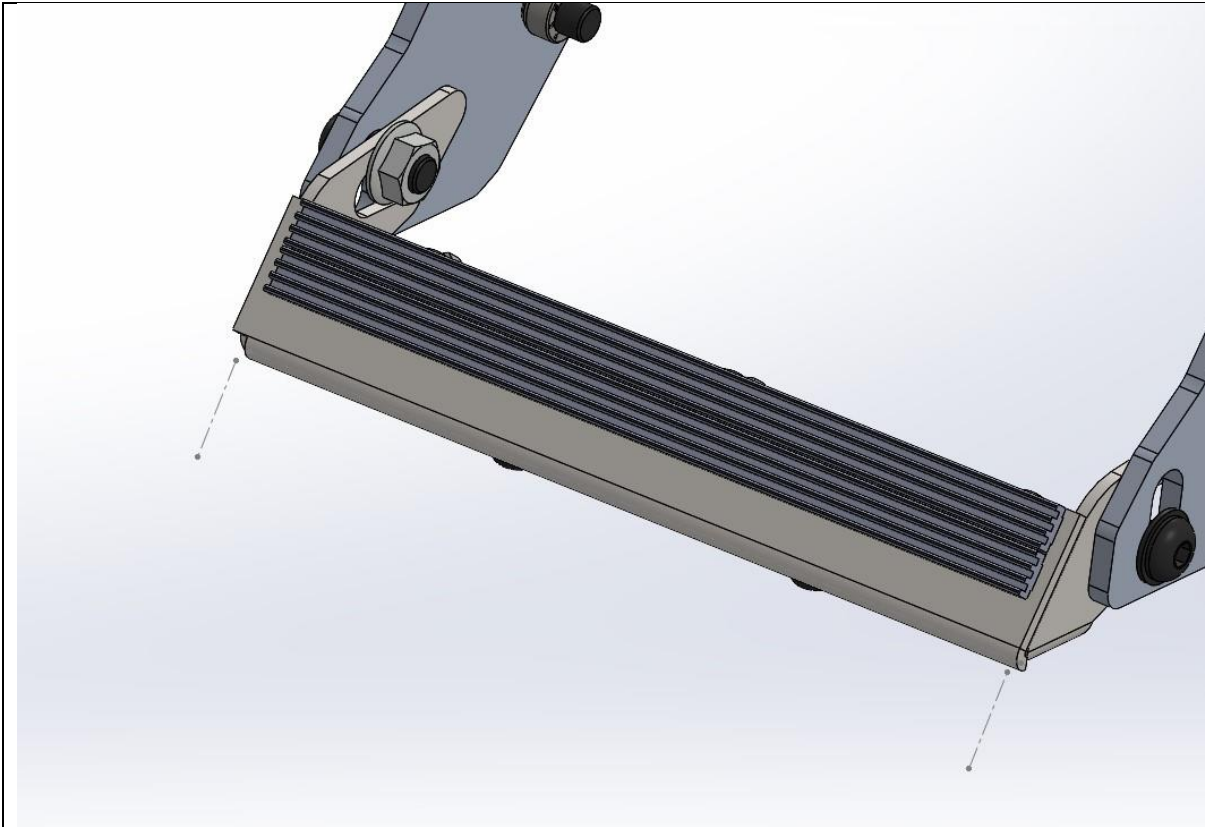
TOOLS REQUIRED

The following tools will be required to install the product. Note Extra Tools will be required for fitment of track kit. Refer to track kit

Hand Tools	Power Tools	Workshop Supplies
Hex (Allen) Key Set 4 and 5mm 13mm Spanner		Rag Isopropyl Alcohol Tape Measure or rule

Instruction Steps

	
<ol style="list-style-type: none"> 1. Unpack the contents and ensure all items are present. 2. Assemble ladder as shown with 5 Ladder rung T slot extrusions. Fit with M8 x 20 Button Head Cap Screws and washers. Ensure bolts are tight. Point the T slot down or towards the vehicle 	<p>TOOLS REQUIRED</p> <p>5mm Hex Key</p>
	<p>FASTENERS</p> <p>M8x20BHCS BZ (10) M8 FW BZ</p>



3. Fit Ladder Pusher to the side arms as shown with M8 x 20 button head caps screws, with washers and flange nuts.
4. Clean surface of pusher with isopropyl alcohol then attached rubber sponge section as shown.

TOOLS REQUIRED

Rag
Isopropyl Alcohol
5mm Hex Key

FASTENERS

M8 x20 BHCS (2)
M8 FW (2)
M8 FN (2)

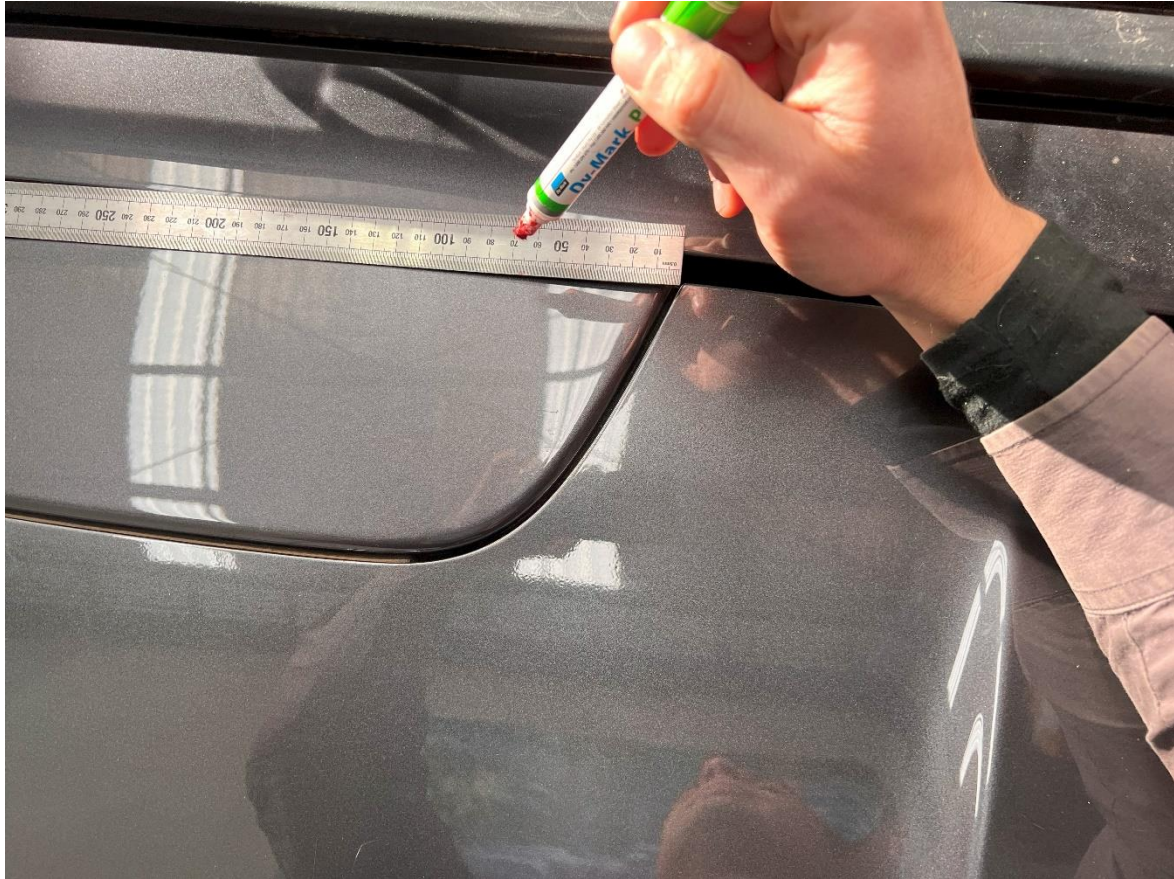


5. Climb up on the rear bumper or suitable step ladder to show the top of the rear tailgate and thoroughly clean the whole area with Isopropyl alcohol

TOOLS REQUIRED

Isopropyl alcohol
Rag

FASTENERS



6. Measure 37mm from the panel gap of plastic panel and metal one. Mark with a line.
7. This line will be Left most edge of the Ladder Top plate. The ladder top plate will cover the gap you just measured from

TOOLS REQUIRED

Pen/Marker
Rule

FASTENERS



8. Use supplied adhesion promoter from the tape kit on the bottom face of the Ladder Top plate. Squeeze the middle of the tube to break glass then spread with sponge over the surface. **Also apply to the tailgate of the vehicle where this plate will sit.**

TOOLS REQUIRED

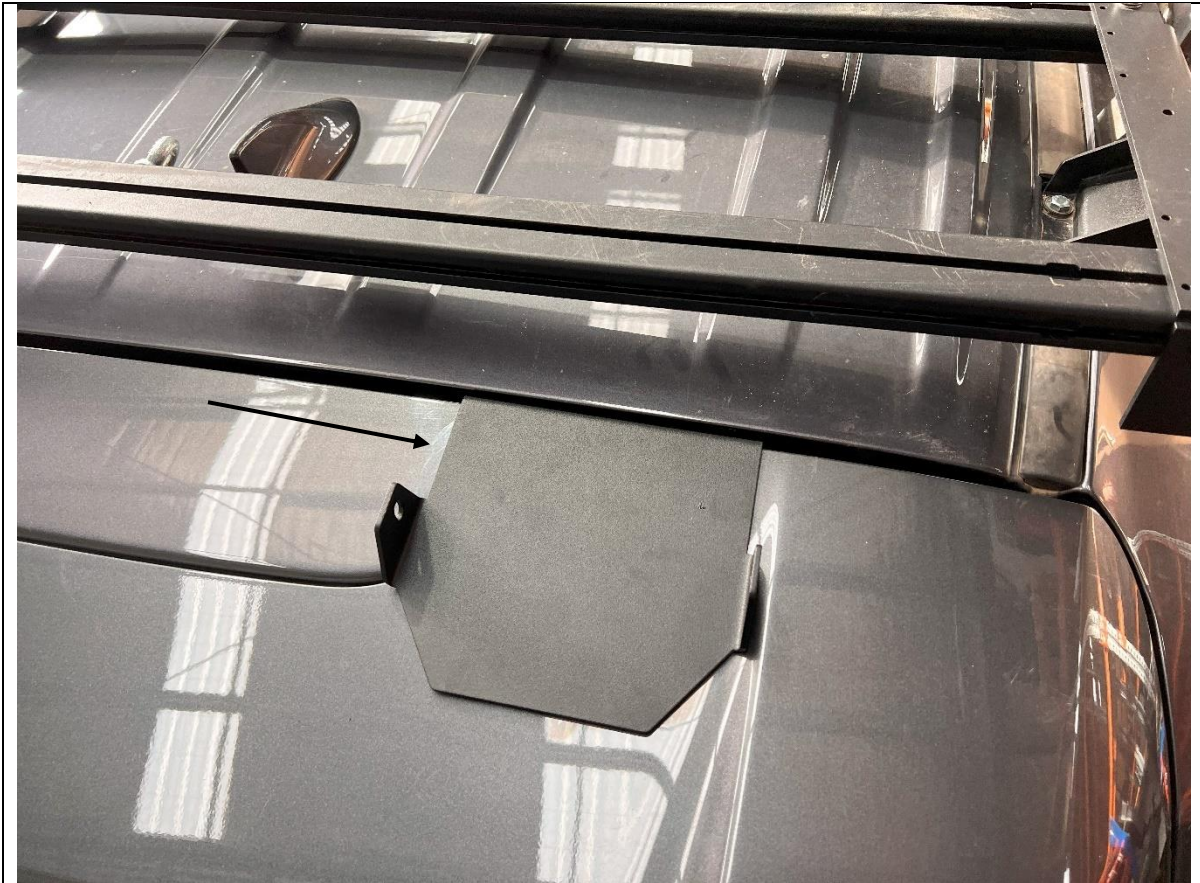
FASTENERS



9. Apply double sided tape to the Ladder top plate as shown.

TOOLS REQUIRED

FASTENERS



10. Remove tape backing and Stick Ladder top plate to the top of the tailgate as shown. Line up the left edge of the Ladder top plate with the line you marked previously. Ensure the folded edge is tight onto the tailgate by pulling the Ladder top plate as far back as possible.
11. Apply Pressure to the Ladder top plate for 30 sec to allow double sided tape to grab.
12. **Note if you ever want to remove this plate, just apply force to peel it off, and you can use WD40 to clean off the double-sided tape residue.**

TOOLS REQUIRED

FASTENERS



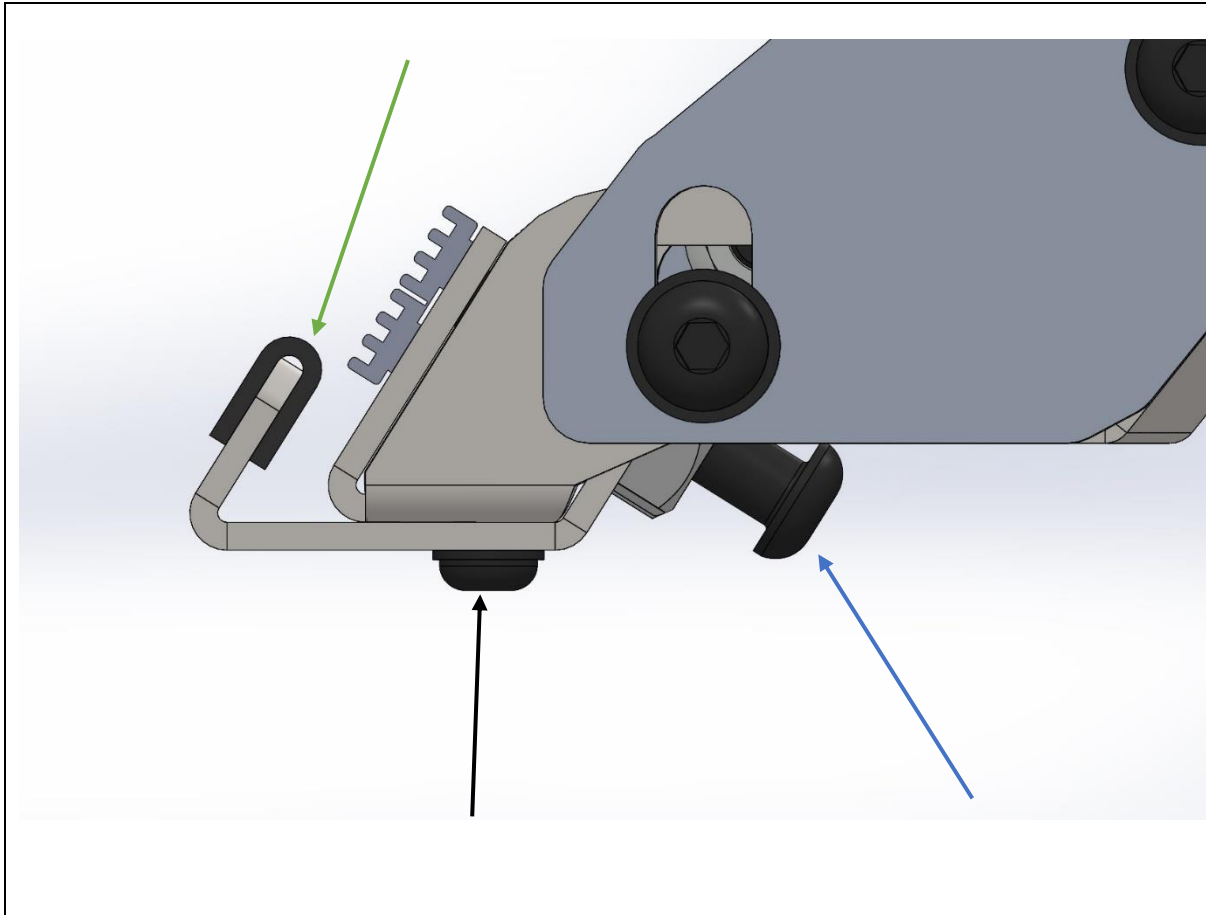
13. Lift the ladder up to the Ladder top plate and secure with M8 x 20 Button Head Cap screws, washers, and flange nuts.

TOOLS REQUIRED

5mm Hex Key

FASTENERS

M8 x 20 BHCS BK ZP (2)
M8 FW BZ (2)
M8 FN (2)



14. Fit rubber U channel (red arrow) to the Ladder pull up and then fit the Ladder Pull up to the Ladder Pusher with the 2 x M6 x 16 Button head cap screws, washers, and flange nuts. (black arrow)
15. Fit 3 x M8 x 40 Button head cap screws through fixed nuts and once through nut put an M8 flange nut on the inside of each. (blue arrow)
16. The Pull up will be on the inside of the bottom of the tail gate and the pusher on the outside. You need to use the 3 M8 x 40 screws to clamp the push and pull plates onto the bottom of the tailgate.

TOOLS REQUIRED

4mm Hex Key
5mm Hex Key

FASTENERS

M8 x 40 BHCS (3)
M8 FW (3)
M8 N (3)



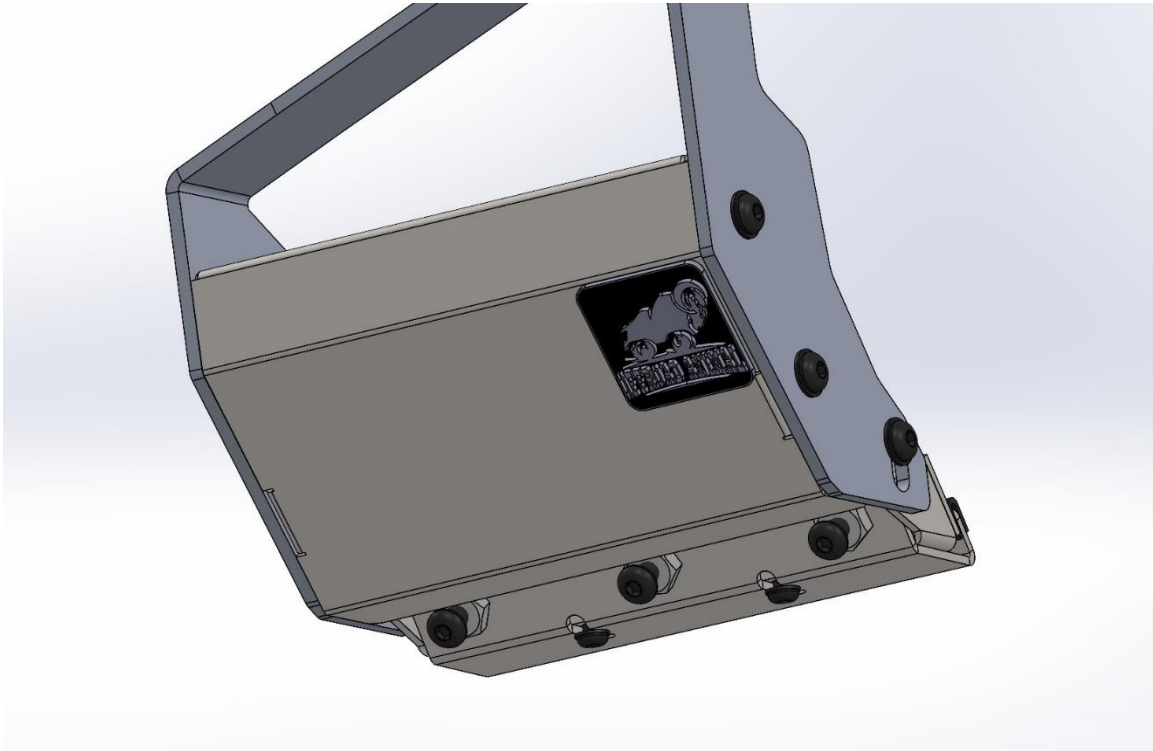
17. Once you have the push and pull plates tightly clamped to the tailgate you can torque up the 3 x M8 flange nuts on the pull up plate to secure the position of the 3 x M8 x 40 screws.
18. Then torque up the 2 x M6 x 16 screws to secure the lot.
19. Secure the push-pull clamp to the ladder using M8 x 20 Button head cap screws washer and flange nuts.
20. Test Ladder to ensure its stable.

TOOLS REQUIRED

4mm Hex Key
5MM Hex Key

FASTENERS

M8x20 BHCS (2)
M8 FW (2)
M8 FN (2)



21. Fit cover plate to ladder as shown with M8 x 20 Button head cap screws and washers.
22. Fit logo plate as shown

TOOLS REQUIRED

5MM Hex Key

FASTENERS

M8x20 BHCS (4).
M8 FW (4)



23. Ensure all screws are tight and then you're all done.
24. Enjoy not having to jump off your roof again and save your knees.

TOOLS REQUIRED

FASTENERS

For contact details see www.offroadanimal.com.au