



## Jeep Wrangler TJ- JK

MY1997-2018

Cobra bull bar

### **IMPORTANT! – READ BEFORE INSTALLATION**

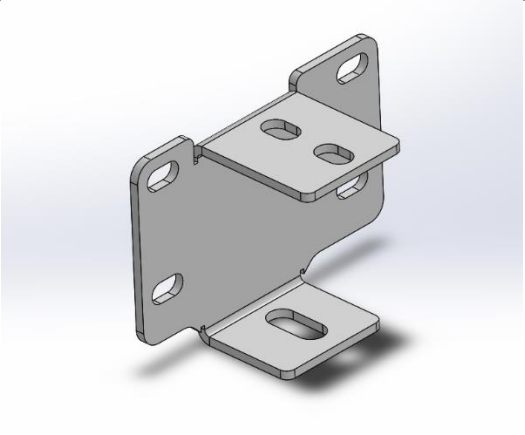
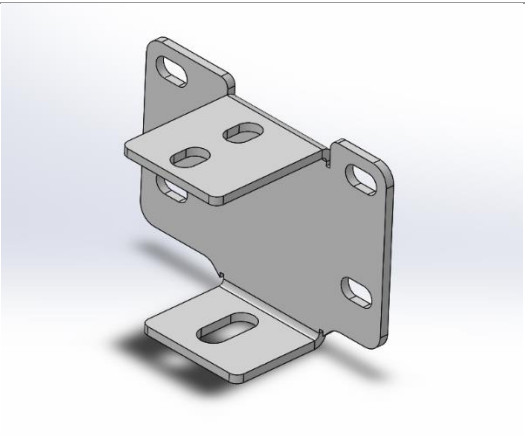
- When installed in accordance with these instructions, the front protection bar does not affect the operation of the vehicles SRS airbags.
- This product must be installed exactly as per these instructions using only hardware supplied.
- Take a few moments to read instructions thoroughly before beginning work.
- In the event of damage to any component please contact OFFROAD ANIMAL to arrange repair/replacement of components.
- Do not use this product for any vehicle make or model other than that specified on these instructions.
- Do not remove labels from this product.
- This product and its fixings must not be modified in any way unless stated in these fitting instructions.
- The installation of this product is recommended for trained personnel.
- These instructions are correct at time of publication. OFFROAD ANIMAL cannot be held responsible for the impact of any changes subsequently made by the vehicle manufacturer. If you find something has changed please contact us to let us know!
- During installation it is the duty of the installer to check correct operation/clearances of all components.
- If Instructions are to be printed for reference in the workshop, it is recommended that they are printed in colour, for best legibility.
- Estimated install time: 2 hours

# PARTS LISTING

**IMPORTANT:** Check all parts are present before beginning work! Contact OFFROAD ANIMAL if something is missing.

## Main Parts – In the Box

Qty	Part Number	Description	Image
1	FB-JWR-TJ-97-CO-ASM1	TJ-JK COBRA BAR WELDMENT	
1	M-0002L	Light Cover Mesh LH	
1	M-0002R	Light Cover Mesh RH	
1	<b>Optional part winch plate</b> B-0261	TJ Cobra winch plate	

<p>1</p>	<p><b>Optional part TJ mount LH B-0259L</b></p>	<p>Tj Cobra Mount LH</p>	
<p>1</p>	<p><b>Optional part TJ Mount RH B-0259R</b></p>	<p>TJ Cobra Mount RH</p>	

**Small Parts – Contained in Small Parts Kit Bag**

Qty	Part Number	Description
8	M10 x 30	M10 x 30 Hex Bolt Z/p
8	M10 FW	M10 Flat Washer
8	M6x16 bhcs bz	M6 x 16 Button Head Cap screw black zinc
8	M6 FW bz	M6 Flat washer black zinc
8	M6 FN	M6 Flange nut
1	ORA logo	Offroad animal logo plate

**TOOLS REQUIRED**

The following tools will be required to install the product.

<b>Hand Tools</b>	<b>Power Tools</b>	<b>Workshop Equipment</b>
Allan key 4mm Spanners 15mm + 16mm + 17mm + 18mm Phillips head screw driver Trim tool, or flat head screw driver		

## GENERAL WARNINGS

This product suits TJ and JK wranglers. If you have a TJ you will need the optional mount brackets.  
The tow hooks on this bar have not been rated, so recovery is at your own risk.



**Steps 1-8 refer to removing factory JK bumper if you are fitting this to a JK, If fitting to a TJ we don't have photos removing that bar, but it's not hard. Pretty much there are 3 bolts per chassis rail, 2 on top and 1 underneath. Remove these bolts (retain for reuse) then pull the bumper off**

1. Start by removing screws behind fog lights

**TOOLS REQUIRED**

Phillips head screw driver

**FASTENERS**

discard



2. Unplug loom for fog lights

**TOOLS REQUIRED**

**FASTENERS**



3. In front of grill remove 2 clips with trim tool or flat screw driver

**TOOLS REQUIRED**

**Trim tool, or flat head screw driver**

**FASTENERS**

Discard fasteners



- 4. Behind bumper at edges you will need to pry up piece shown

**TOOLS REQUIRED**

Trim tool, or flat head screw driver

**FASTENERS**





5. Remove panel shown, but tilting it up and angling it out

**TOOLS REQUIRED**

**FASTENERS**



6. Remove 8 x M10 nuts holding bumper on to chassis

**TOOLS REQUIRED**

**16mm socket and spanner**

**FASTENERS**

discard



- 7. Pull bumper away from chassis and pry off loom retaining clips with multigrips or screw driver

**TOOLS REQUIRED**  
Trim tool, or flat head screw driver  
Or Multi grips

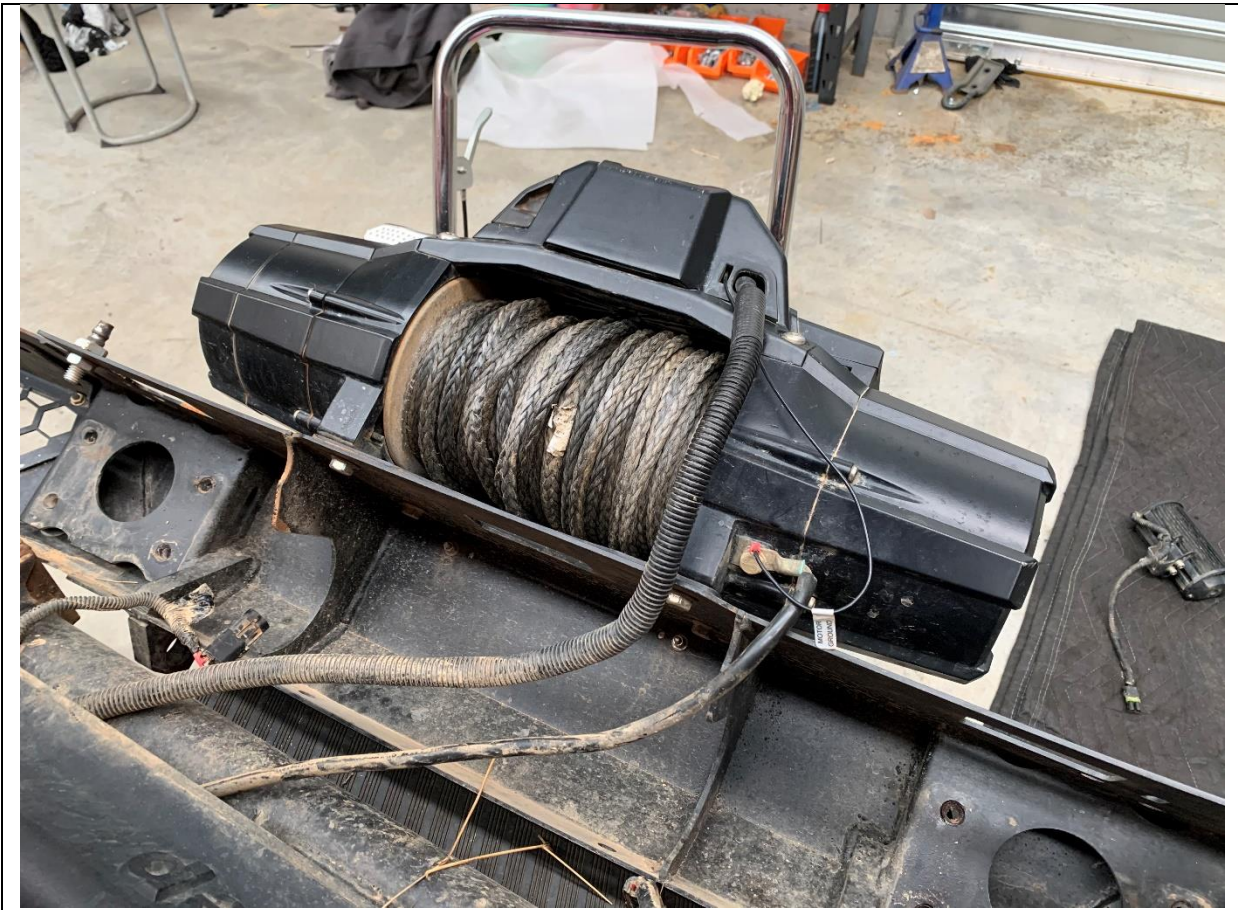
**FASTENERS**



8. Here is what your front end will look like with bumper removed

**TOOLS REQUIRED**

**FASTENERS**



9. If fitting a winch do so now. Fit winch plate to winch and use bolt supplied with winch through bar winch plate and into winch as shown
10. Don't forget to install winch fairlead on to front of winch plate

**TOOLS REQUIRED**  
**16 or 17mm spanner**

**FASTENERS**  
Supplied with winch



11. If fitting to a TJ install TJ mount brackets as shown LH and RH

**TOOLS REQUIRED**

**16 or 17mm  
spanner depending on bolt  
supplier**

**FASTENERS**

M10x30 (8)  
M10 FW (8)



12. With the help of a lifting table or a friend, lift the bar up to the vehicle,
13. If on a TJ mounting brackets will already be on bar and just reuse bolts that mounted factory bumper
14. If on a JK, use supplied M10 hardware to mount through chassis rails into bar

**TOOLS REQUIRED**  
**Angle Grinder**

**FASTENERS**

- M10x30 (8)
- M10 FW (8)



- 15. Shown is top view fitting on to a TJ.
- 16. Torque up all M10 bolts to 45Nm

**TOOLS REQUIRED**

**16mm Spanner and or Socket**

**FASTENERS**





17. If fitting factory fog lights to your JK, do so now to optional brackets with M4 hardware as shown

**TOOLS REQUIRED**  
Phillips head screw driver

**FASTENERS**

M4 x 20 PH (8)  
M4 FN (8)



18. Next fit fog light bracket to mesh panel and secure with 1 M8 bolt washer and flange nut on the top. The front will be secured through bar in next step

**TOOLS REQUIRED**  
13mm socket or spanner

**FASTENERS**

M8 x 25 (2)  
M8 FW (2)  
M8 FN (2)



- 19. Fit mesh panels to bar with M6 hardware
- 20. Do not forget to fit the logo plate

**TOOLS REQUIRED**

**4mm Allen Key**

**FASTENERS**

**M6 x 16 BHCS BZ (8)  
M6 FW BZ (8)  
M6 FN (8)**