



## Toyota Landcruiser Prado 150 Series 2009 onwards Scout Roof Rack

### **IMPORTANT! – READ BEFORE INSTALLATION**

- When installed in accordance with these instructions, the front protection bar does not affect the operation of the vehicles SRS airbags.
- This product must be installed exactly as per these instructions using only hardware supplied.
- Take a few moments to read instructions thoroughly before beginning work.
- In the event of damage to any bar component please contact OFFROAD ANIMAL to arrange repair/replacement of components.
- Do not use this product for any vehicle make or model other than that specified on these instructions.
- Do not remove labels from this product.
- This product and its fixings must not be modified in any way unless stated in these fitting instructions.
- The installation of this product is recommended for trained personnel.
- These instructions are correct at time of publication. OFFROAD ANIMAL cannot be held responsible for the impact of any changes subsequently made by the vehicle manufacturer. If you find something has changed please contact us to let us know!
- During installation it is the duty of the installer to check correct operation/clearances of all components.
- If Instructions are to be printed for reference in the workshop, it is recommended that they are printed in colour, for best legibility.



## PARTS LISTING

**IMPORTANT:** Check all parts are present before beginning work! Contact OFFROAD ANIMAL if something is missing.

### Main Parts – In the Box

Qty	Part Number	Description	Image
5	E-0004 - 1200	3060 T Slot Profile Extrusion - 1200MM	
1	B-0342L	Roof Rack Side Rail - Ranger	
1	B-0342R	Roof Rack Side Rail - Ranger	
1	B-0344	Roof Rack No Light Wind Deflector - Ranger	
1	PW-P-14X9-1180	Pinch Weld - Plain 14X9MM, Rubber, 1180mm Length	

### Optional Light Bar Kit – Purchased Separately

Qty	Part Number	Description	Image
1	B-0343	Roof Rack Light Bar Wind Deflector - Ranger	
5	M8 X 12 BHCS BZP	SCREW, BUTTON HEAD CAP, M8X12X1.25 GR12.9 BLACK ZP	



### Small Parts – Contained in Small Parts Kit Bag

QTY.	PART NO.	DESCRIPTION
27	M8 X 16 BHCS BZP	SCREW, BUTTON HEAD CAP, M8X16X1.25 GR12.9 BLACK ZP
20	M8 X 12 BHCS BZP	SCREW, BUTTON HEAD CAP, M8X12X1.25 GR12.9 BLACK ZP
6	M8 X 20 BHCS BLACK ZINC	SCREW, BUTTON HEAD CAP, M8X20X1.25 BLACK ZP
6	P-0127	Roof Rack - Rhino Track Nut Plate M8
8	M6 FLANGE NUT	Flange Nut, M6x1 G8.8 ZP
8	M6 FLAT WASHER BLACK ZINC	M6 FW BLACK ZP
8	M6x20 BHCS BLACK ZINC	SCREW, BUTTON HEAD CAP, M6X20X1 GR12.9 BLACK ZP
22	M8 Track Nut	Nut, Slide In Track, M8x1.25
53	M8 FLAT WASHER- BLACK ZINC	M8 FW- BLACK ZINC
5	M8 Half Round Nut	Nut, Half Round Track W/Ball Detent, M8x1.25
2	OFA-LOGO	OFFROAD ANIMAL METAL LOGO



# TOOLS REQUIRED

The following tools will be required to install the product. Note Extra Tools will be required for fitment of track kit. Refer to track kit

<b>Hand Tools</b>	<b>Power Tools</b>	<b>Workshop Supplies</b>
Metric Socket Set 8-19mm Socket Extension Bar Metric Spanner Set 10-19mm Hex (Allen) Key Set 4-6mm		Soft Blanket Non Adhesive Automotive grade sealant

# WORKSHOP SAFETY

It is the responsibility of the installer to always complete works in a safe manner. Make sure the following safety equipment is available and precautions are observed whilst fitting this product.

<p>Hearing Protection</p> 	<p>Always wear ear protection when using power tools.</p>
<p>Eye Protection</p> 	<p>Ensure eye protection is always worn when cutting or drilling.</p>
<p>Manual Handling</p> 	<p>Do not attempt to lift bar assemblies or rock sliders on your own.</p> <p>Always use two people to lift or use mechanical Lifting aid such as hydraulic lifting trolley.</p>
<p>Vehicle Support</p> 	<p>Always ensure vehicle is properly supported when working on it. Do not attempt to fit products whilst suspension work is being carried out. Do not work under a vehicle supported only by a jack.</p>



1. First, Fit the Track kit to the vehicle. Follow the instructions provided with the track kit.
2. Next Assemble the roof rack. Start by setting out the 5 extrusions on a table. Position them so they sit approximately 200mm apart.

**TOOLS REQUIRED**

Refer to track fitting instructions

**FASTENERS**

Refer to track fitting instructions



1. First, Fit the Track kit to the vehicle. Follow the instructions provided with the track kit.
2. Next Assemble the roof rack. Start by setting out the 5 extrusions on a table. Position them so they sit approximately 200mm apart.

**TOOLS REQUIRED**

Refer to track fitting instructions

**FASTENERS**

Refer to track fitting instructions





1. First, Fit the Track kit to the vehicle. Follow the instructions provided with the track kit.
2. Next Assemble the roof rack. Start by setting out the 5 extrusions on a table. Position them so they sit approximately 200mm apart.

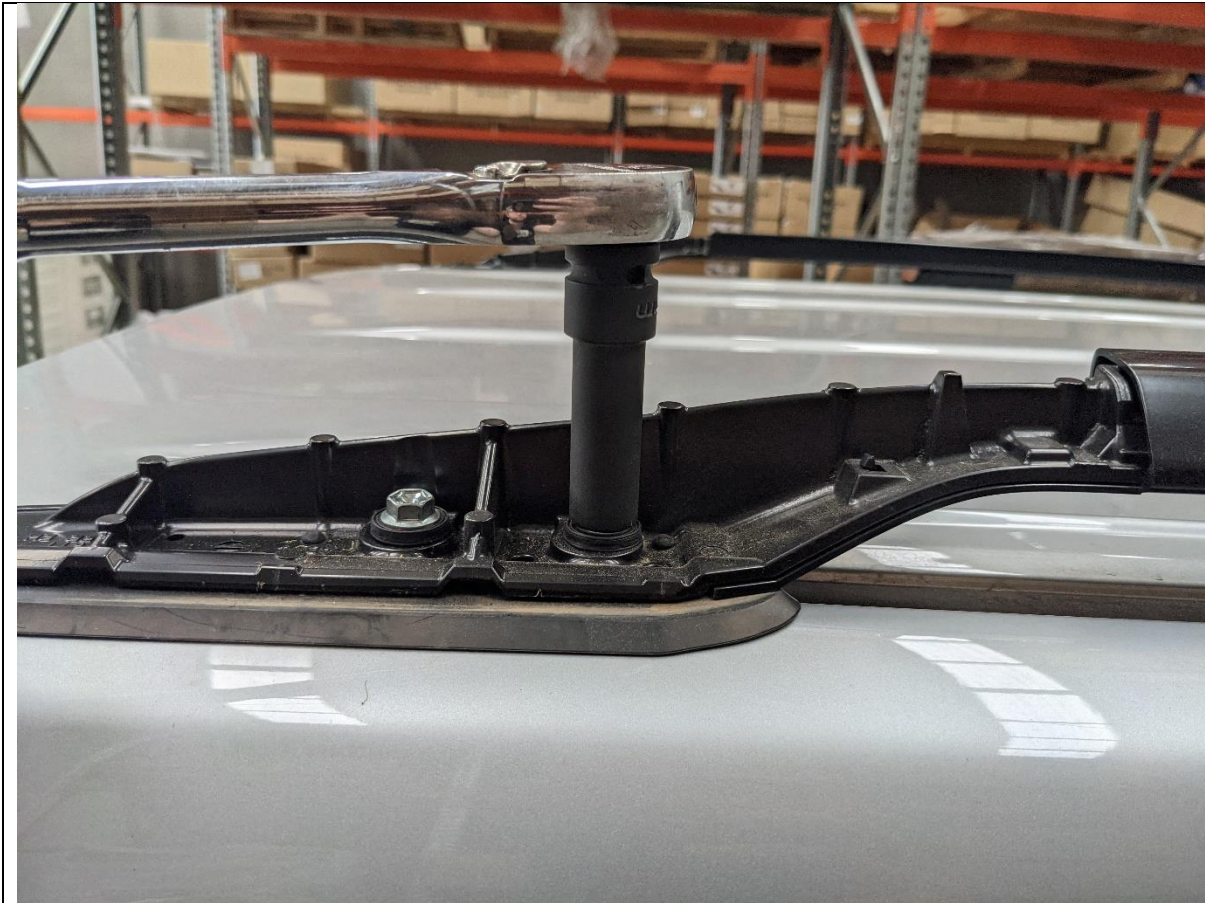
**TOOLS REQUIRED**

Refer to track fitting instructions

**FASTENERS**

Refer to track fitting instructions





1. First, Fit the Track kit to the vehicle. Follow the instructions provided with the track kit.
2. Next Assemble the roof rack. Start by setting out the 5 extrusions on a table. Position them so they sit approximately 200mm apart.

**TOOLS REQUIRED**

Refer to track fitting instructions

**FASTENERS**

Refer to track fitting instructions



1. First, Fit the Track kit to the vehicle. Follow the instructions provided with the track kit.
2. Next Assemble the roof rack. Start by setting out the 5 extrusions on a table. Position them so they sit approximately 200mm apart.

**TOOLS REQUIRED**

Refer to track fitting instructions

**FASTENERS**

Refer to track fitting instructions



1. First, Fit the Track kit to the vehicle. Follow the instructions provided with the track kit.
2. Next Assemble the roof rack. Start by setting out the 5 extrusions on a table. Position them so they sit approximately 200mm apart.

**TOOLS REQUIRED**

Refer to track fitting instructions

**FASTENERS**

Refer to track fitting instructions





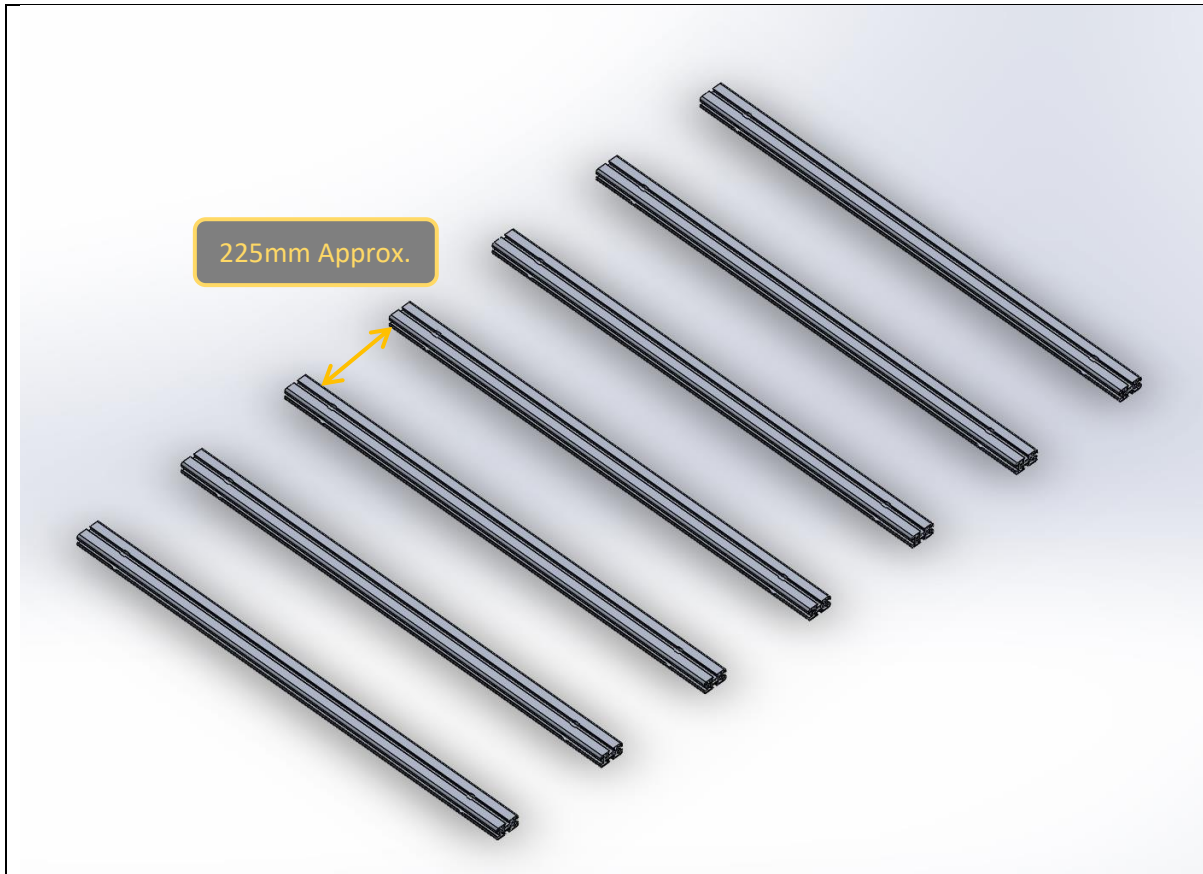
1. First, Fit the Track kit to the vehicle. Follow the instructions provided with the track kit.
2. Next Assemble the roof rack. Start by setting out the 5 extrusions on a table. Position them so they sit approximately 200mm apart.

**TOOLS REQUIRED**

Refer to track fitting instructions

**FASTENERS**

Refer to track fitting instructions



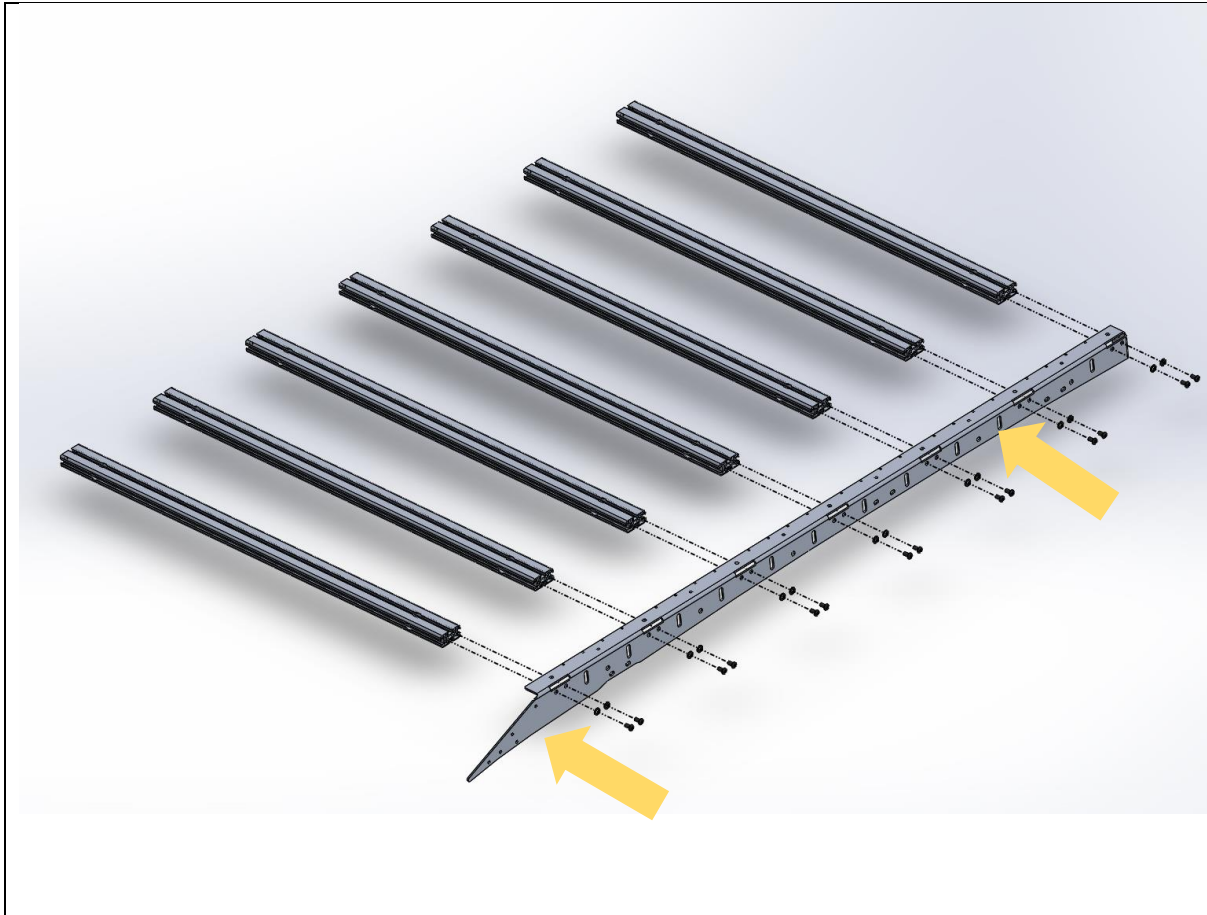
3. Assemble the roof rack. Start by setting out the 7 extrusion cross bars on a table. Position them so they sit approximately 225mm apart (edge to edge).

**TOOLS REQUIRED**

Refer to track fitting instructions

**FASTENERS**

Refer to track fitting instructions



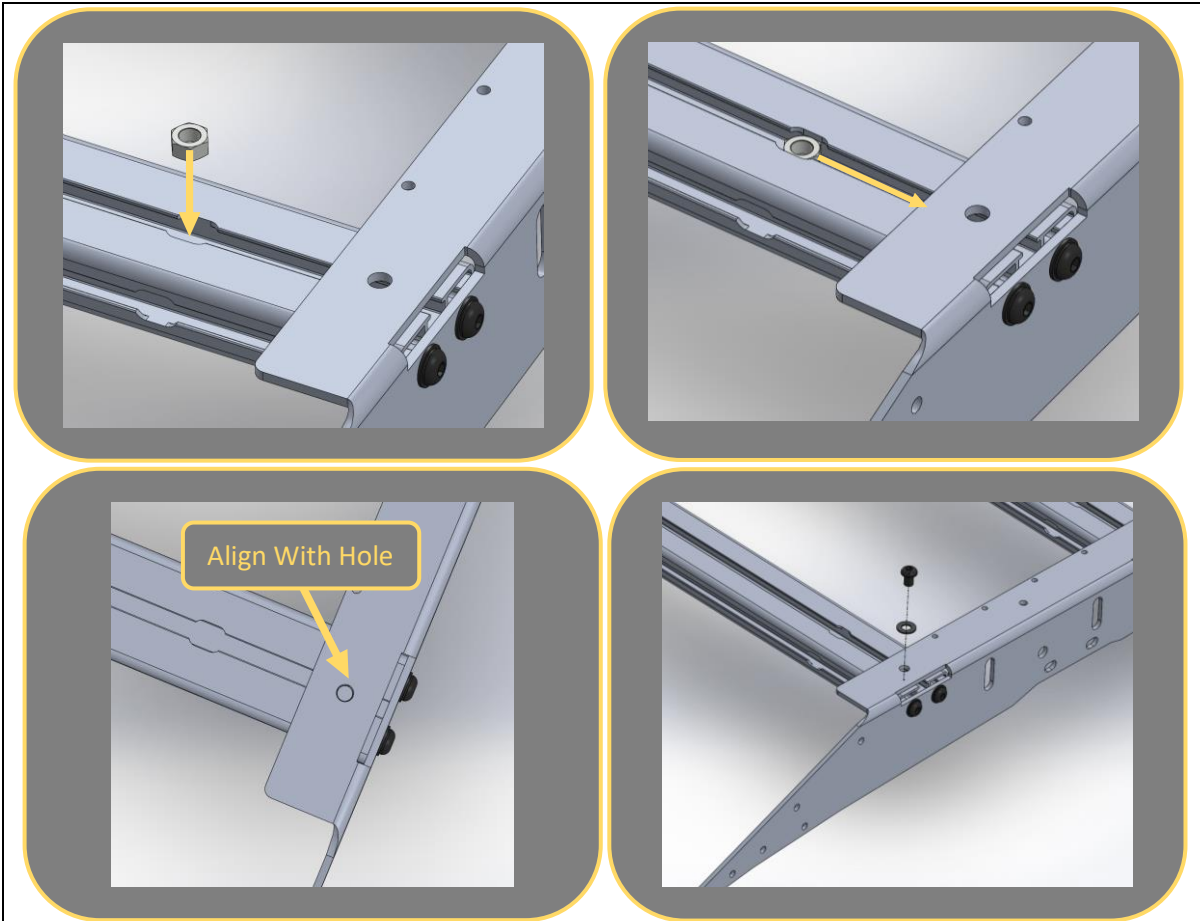
4. Fit the side rail to the extrusion,

This is easiest to do when the ends of the extrusions are hanging over the edge of a table / workbench.

5. Secure with M8x16mm Button head bolts and M8 Flat Washers as shown.
6. Complete for other side of rack also.

**TOOLS REQUIRED**

**FASTENERS**



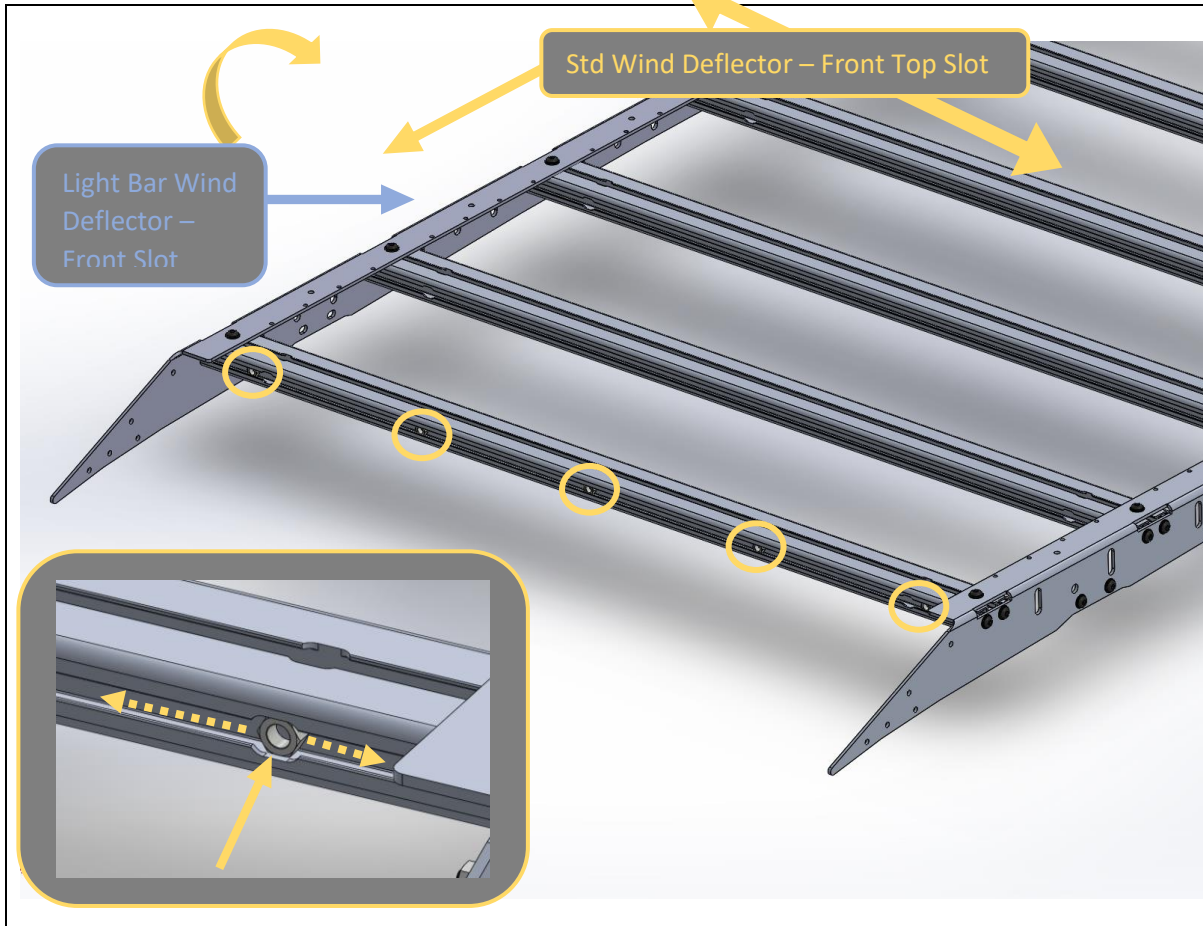
7. Insert M8 Nut into each track for securing top face of side rail.
8. Drop nut into slot in extrusion, then slide nut sideways in slot and align with hole in the side arm.
9. Secure with
10. Complete steps 3 through 7 for the other side of the rack assembly to fit the other side rail.

**TOOLS REQUIRED**  
5MM Hex Key

**FASTENERS**

- 11x M8x12 Button head bolt
- 10x M8x16 Button head bolt.
- 21x M8 Flat Washer

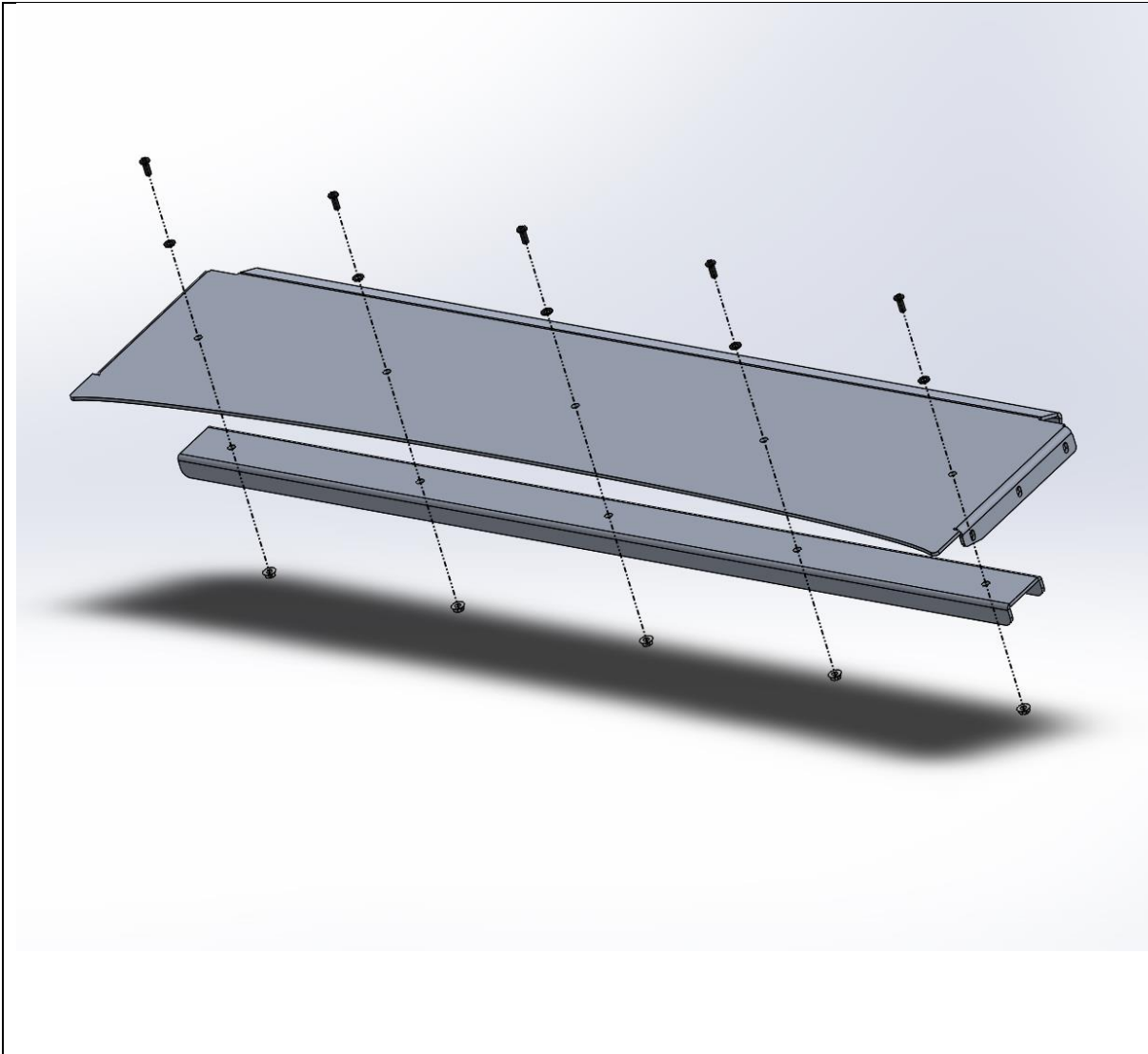




11. If fitting the standard wind deflector fit the 5x drop in nuts to the top front slot of the front most extrusion member.
12. To fit each Drop in Nut, start with the nut rotated 90 degrees. Insert into the slot sideways, then rotate the nut to sit flat in the slot.
13. Move nuts side to side using screwdriver to move nuts into correct positions. The spring detent should hold the nut in position.
14. If fitting the optional light bar wind deflector, fit the drop in nuts to the front slot of the front first extrusion member.

**TOOLS REQUIRED**  
Screwdriver

**FASTENERS**  
5x M8 Drop In Nuts



1. Fit the wind deflector to the rack assembly. The deflector should sit inside the side rails and on top of (Standard type) or in front (Light bar type) the first extrusion member.

**TOOLS REQUIRED**

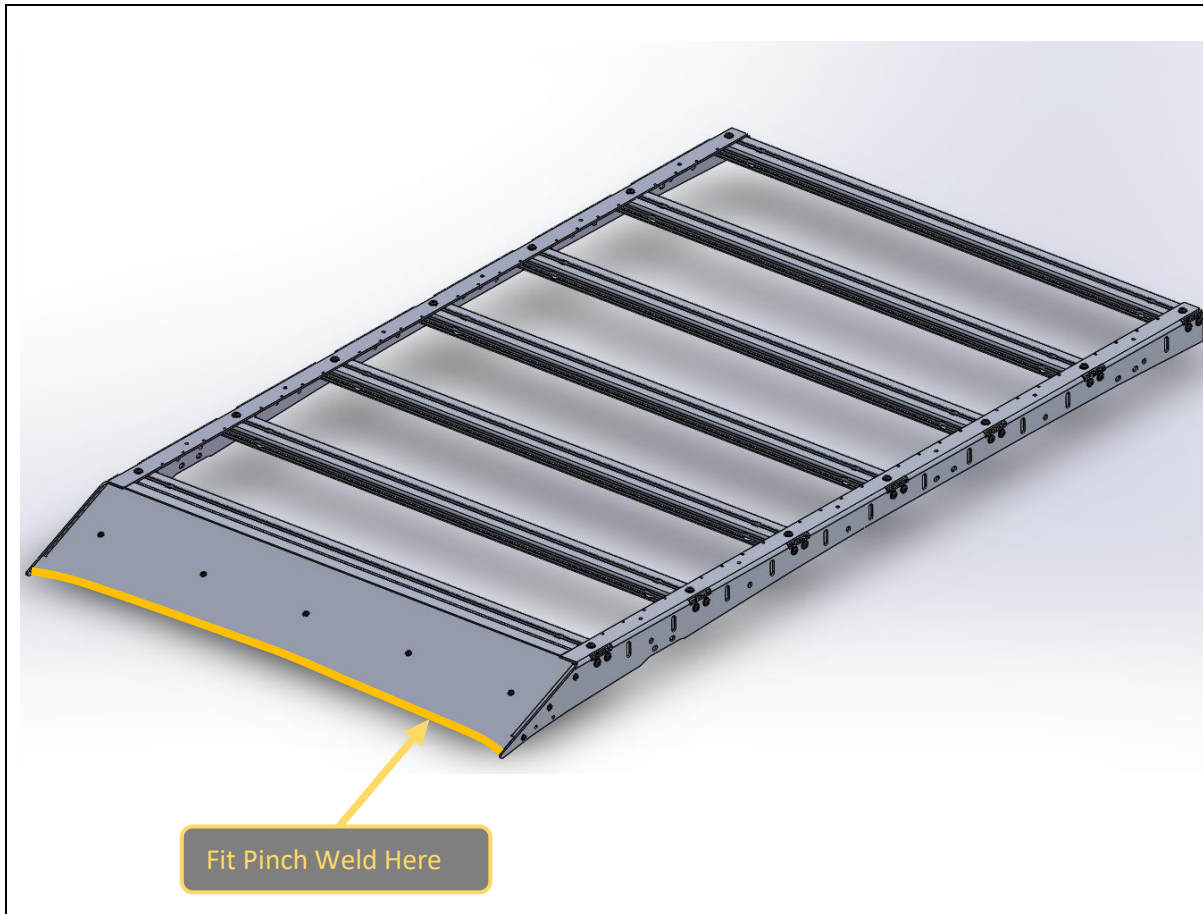
**FASTENERS**



2. Fit the wind deflector to the rack assembly. The deflector should sit inside the side rails and on top of (Standard type) or in front (Light bar type) the first extrusion member.

**TOOLS REQUIRED**

**FASTENERS**



<ol style="list-style-type: none"> <li>3. Secure the wind deflector to the side rails with M6x20 button head bolts, Flat washers, and flange nuts.</li> <li>4. Secure the wind deflector to the extrusion with M8x16 button head bolts and Flat washers into the pre fitted drop in nuts.</li> </ol>	<p><b>TOOLS REQUIRED</b></p> <p>4mm Hex Key 5mm Hex Key</p>
<p><b>NOTE: If fitting optional light bar wind deflector use the 5x M8x12 bolts supplied with the kit in lieu of M8x16 for this step.</b></p> <ol style="list-style-type: none"> <li>5. Once fitted ensure all bolts are tightened.</li> <li>6. Fit pinch weld strip to front edge of wind deflector.</li> </ol>	<p><b>FASTENERS</b></p> <p>6x M6x20 Button head bolt. 6x M6 Flat Washer 6x M6 Flange Nut 5x M8x16 Button head bolt 5x M8 Flat Washer</p>

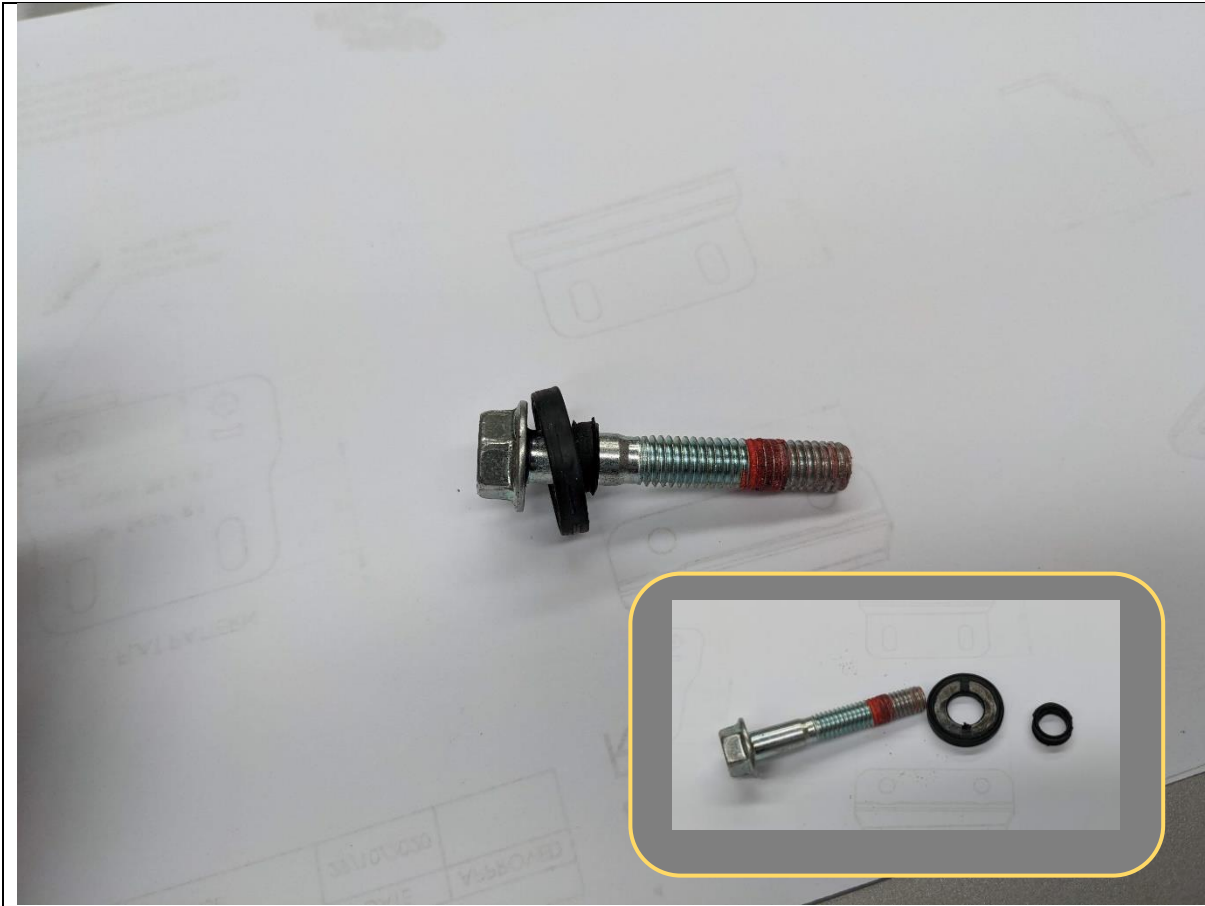


1. In preparation for fitment of the roof rack, Insert the Rhino Track nuts into the track fitted on the vehicle.
2. Insert nuts through the cutouts in the track, and slide into position using screwdriver.

**TOOLS REQUIRED**

**FASTENERS**  
**6x P-0127 Track Nuts**





1. In preparation for fitment of the roof rack, Insert the Rhino Track nuts into the track fitted on the vehicle.
2. Insert nuts through the cutouts in the track, and slide into position using screwdriver.

**TOOLS REQUIRED**

**FASTENERS**  
**6x P-0127 Track Nuts**



3. In preparation for fitment of the roof rack, Insert the Rhino Track nuts into the track fitted on the vehicle.
4. Insert nuts through the cutouts in the track, and slide into position using screwdriver.

**TOOLS REQUIRED**

**FASTENERS**  
**6x P-0127 Track Nuts**





1. With assistance from another person, lift the rack onto the vehicle.
2. Position rack such that the rearmost extrusion member sits just behind the roof mounted antenna.

**TOOLS REQUIRED**

**FASTENERS**



3. With assistance from another person, lift the rack onto the vehicle.
4. Position rack such that the rearmost extrusion member sits just behind the roof mounted antenna.

**TOOLS REQUIRED**

**FASTENERS**



5. Slide nuts into position under roof rack feet using screwdriver to push along track.
6. Secure rack to track using M8x20 Button head bolts and M8 Flat washers.
7. Fit all 6 bolts before tightening.
8. Tighten gradually, partially tightening each bolt moving around in a circular pattern until all bolts are tight.

**TOOLS REQUIRED**  
5mm Hex Key

**FASTENERS**

6xM8x20 Button Head Bolt  
6xM8 Flat washer





1. Slide nuts into position under roof rack feet using screwdriver to push along track.
2. Secure rack to track using M8x20 Button head bolts and M8 Flat washers.
3. Fit all 6 bolts before tightening.
4. Tighten gradually, partially tightening each bolt moving around in a circular pattern until all bolts are tight.

**TOOLS REQUIRED**  
5mm Hex Key

**FASTENERS**

6xM8x20 Button Head Bolt  
6xM8 Flat washer



5. Double Check all Fasteners are tight.
6. With That you are done! Head Bush and Enjoy your new rack!

**For contact details see [www.offroadanimal.com](http://www.offroadanimal.com)**