



Toyota Landcruiser 200 Series MY2015+ (Second Facelift) Predator Front Bar Fitting Instruction

IMPORTANT! – READ BEFORE INSTALLATION

- When installed in accordance with these instructions, the front protection bar does not affect the operation of the vehicles SRS airbags.
- This product must be installed exactly as per these instructions using only hardware supplied.
- Take a few moments to read instructions thoroughly before beginning work.
- In the event of damage to any bar component please contact OFFROAD ANIMAL to arrange repair/replacement of components.
- Do not use this product for any vehicle make or model other than that specified on these instructions.
- Do not remove labels from this product.
- This product and its fixings must not be modified in any way unless stated in these fitting instructions.
- The installation of this product is recommended for trained personnel.
- These instructions are correct at time of publication. OFFROAD ANIMAL cannot be held responsible for the impact of any changes subsequently made by the vehicle manufacturer. If you find something has changed please contact us to let us know!
- During installation it is the duty of the installer to check correct operation/clearances of all components.
- If Instructions are to be printed for reference in the workshop, it is recommended that they are printed in colour, for best legibility.

Fitment Note: TORRO (Full Hoop) Version of the bar is NOT SUITABLE for GX models fitted with Halogen Headlights



PARTS LISTING

IMPORTANT: Check all parts are present before beginning work! Contact OFFROAD ANIMAL if something is missing.

Main Parts – In the Box

Qty	Part Number	Description	Image
1	FB-TLC-200-15-PR-ASM1	LC200 Front Predator Bar Weldment	
Or			
1	FB-TLC-200-15-PRT-ASM1	LC200 Front Torro Bar Weldment	
1	FB-TLC-200-15-PR-ASM2L	LC200 Front Mount - Welded Assembly	
1	FB-TLC-200-15-PR-ASM2R	LC200 Front Mount - Welded Assembly	
1	U-0011	200 Series Bash Plate	
1	U-0008L	200 SERIES FRONT BAR - SIDE UNDERPANEL	
1	U-0008R	200 SERIES FRONT BAR - SIDE UNDERPANEL	



FB-TLC-200-15-PR-ASM0
Fitting Instruction

2015+ Toyota LC200
Predator Front Bar

1	M-0007	LC200 Mesh Fairlead Mount	
1	M-0008L	LC200 Mesh Infill Panel LHS	
1	M-0008R	LC200 Mesh Infill Panel RHS	
1	M-0002L	Light Cover Mesh	
1	M-0002R	Light Cover Mesh	
1	B-0185L	Toyota Style Fog Lamp Bracket LHS	
1	B-0185R	Toyota Style Fog Lamp Bracket RHS	
1	NPF-COM-SM-ASM0	Number plate flip asm Small	
2	PWS-TOP-775	Pinch Weld – Top Bulb Seal 775mm	



Predator Small Parts – Contained in Small Parts Kit Bag

QTY.	PART NO.	DESCRIPTION
28	M6 FLAT WASHER BLACK ZINC	M6 FW BLACK ZP
28	M6x16 BHCS BLACK ZINC	SCREW, BUTTON HEAD CAP, M6X16X1 GR12.9 BLACK ZP
18	M6 FLANGE NUT	Flange Nut, M6x1 G8.8 ZP
10	M6CN3MM	CAGE NUT M6x2.6-3.5
18	M8 FLANGE NUT	Flange Nut, M8x1.25 G8.8 ZP
14	M8 FLAT WASHER- BLACK ZINC	M8 FW- BLACK ZINC
4	M8 X 16 BHCS BZP	SCREW, BUTTON HEAD CAP, M8X16X1.25 GR12.9 BLACK ZP
10	M8 X 20 BHCS BLACK ZINC	SCREW, BUTTON HEAD CAP, M8X20X1.25 BLACK ZP
2	M8 X 25 HEX	Bolt Hex, M8X25x1.25, GR8.8 ZP
4	M8 FLAT WASHER	M8 FW
2	M10X20 BHCS	SCREW, BUTTON HEAD CAP, M10X20X1.5 GR12.9 ZP
2	M10 Flat Washer	M10 FW
2	M10 FLANGE NUT	Flange Nut, M10x1.5 G8.8 ZP
8	M12X30	Bolt Hex, M12X30x1.75, GR8.8 ZP
16	M12 FW LHD	M12 FW Large Heavy Duty
8	M12 Nyloc nut	M12 NYLOC NUT
2	M8X20	Bolt Hex, M8X20X1.25, GR8.8 ZP
2	P-0072	Predator Bash Plate Shim
2	FB-TLC-200-15-PR- ASM4	Parking Sensor Plug Assy 200 Series
1	FB-TLC-200-15-PR- ASM3L	Headlight Washer Plug Assy 200 Series
1	FB-TLC-200-15-PR- ASM3R	Headlight Washer Plug Assy 200 Series



Torro Small Parts Kit – Contained in Small Parts Kit Bag

QTY.	PART NO.	DESCRIPTION
28	M6 FLAT WASHER BLACK ZINC	M6 FW BLACK ZP
28	M6x16 BHCS BLACK ZINC	SCREW, BUTTON HEAD CAP, M6X16X1 GR12.9 BLACK ZP
18	M6 FLANGE NUT	Flange Nut, M6x1 G8.8 ZP
10	M6CN3MM	CAGE NUT M6x2.6-3.5
18	M8 FLANGE NUT	Flange Nut, M8x1.25 G8.8 ZP
18	M8 FLAT WASHER- BLACK ZINC	M8 FW- BLACK ZINC
4	M8 X 16 BHCS BZP	SCREW, BUTTON HEAD CAP, M8X16X1.25 GR12.9 BLACK ZP
14	M8 X 20 BHCS BLACK ZINC	SCREW, BUTTON HEAD CAP, M8X20X1.25 BLACK ZP
2	M8 X 25 HEX	Bolt Hex, M8X25x1.25, GR8.8 ZP
4	M8 FLAT WASHER	M8 FW
2	M10X20 BHCS	SCREW, BUTTON HEAD CAP, M10X20X1.5 GR12.9 ZP
2	M10 Flat Washer	M10 FW
2	M10 FLANGE NUT	Flange Nut, M10x1.5 G8.8 ZP
8	M12X30	Bolt Hex, M12X30x1.75, GR8.8 ZP
16	M12 FW LHD	M12 FW Large Heavy Duty
8	M12 Nyloc nut	M12 NYLOC NUT
2	M8X20	Bolt Hex, M8X20X1.25, GR8.8 ZP
2	P-0072	Predator Bash Plate Shim
2	FB-TLC-200-15-PR- ASM4	Parking Sensor Plug Assy 200 Series
1	FB-TLC-200-15-PR- ASM3L	Headlight Washer Plug Assy 200 Series
1	FB-TLC-200-15-PR- ASM3R	Headlight Washer Plug Assy 200 Series
1	B-0382L	200 Torro Antenna Bracket
1	B-0382R	200 Torro Antenna Bracket



TOOLS REQUIRED

The following tools will be required to install the product.

Hand Tools	Power Tools	Workshop Supplies
Metric Socket Set 8-19mm Socket Extension Bar Metric Spanner Set 10-19mm Torx Drivers T25-T30 Hex (Allen) Key Set 4-6mm Trim Puller Tool Flat Blade Screwdriver set Phillips Head Screwdriver set Utility Knife Side Cutters Pliers	Electric Drill 6mm Drill Bit Air Hacksaw or Angle Grinder Electric/Air Impact Driver (Optional)	Double Sided Adhesive Tape Panel Stand or Soft Blanket Cable Ties Masking Tape Black Automotive paint Scotch Brite or Fine Sandpaper Automotive Sealant/Adhesive Bucket Hose Clamp

WORKSHOP SAFETY

It is the responsibility of the installer to always complete works in a safe manner. Make sure the following safety equipment is available and precautions are observed whilst fitting this product.

<p>Hearing Protection</p> 	<p>Always wear ear protection when using power tools.</p>
<p>Eye Protection</p> 	<p>Ensure eye protection is always worn when cutting or drilling.</p>
<p>Manual Handling</p> 	<p>Do not attempt to lift bar assemblies or rock sliders on your own.</p> <p>Always use two people to lift or use mechanical Lifting aid such as hydraulic lifting trolley.</p>
<p>Vehicle Support</p> 	<p>Always ensure vehicle is properly supported when working on it. Do not attempt to fit products whilst suspension work is being carried out. Do not work under a vehicle supported only by a jack.</p>



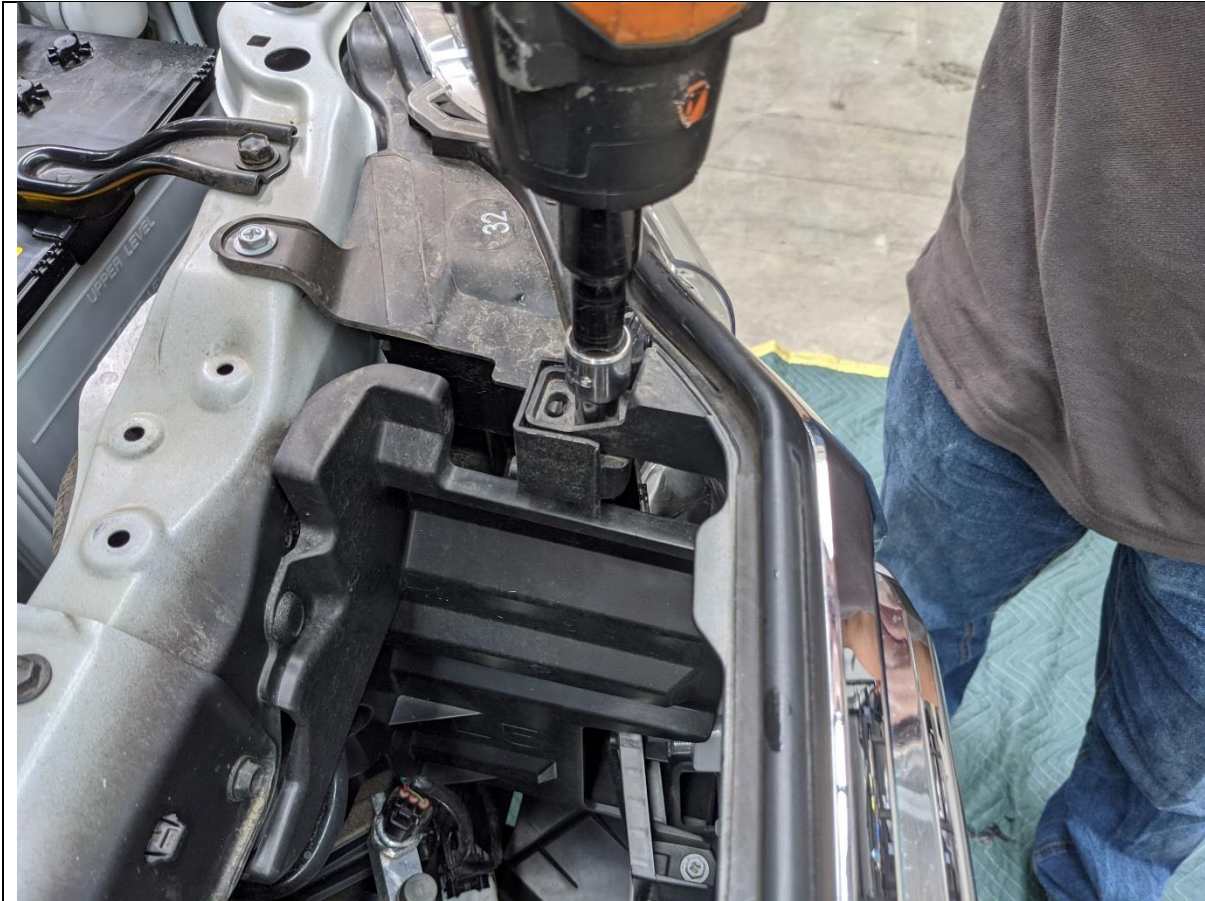
1. Open the Bonnet,
2. Remove clips securing the top radiator cowling. Press down on the center button of clip to unlock, then remove clip with trim tool.
3. Retain all clips for reassembly

TOOLS REQUIRED

Trim Tool

FASTENERS

Retain Factory



4. Remove the 2x Bolts securing top grille to body using 10mm socket.

TOOLS REQUIRED

10mm socket.

FASTENERS

Retain Factory



5. Using a rag to protect the chrome finish, carefully pry the L shape headlight trim to release the clips.

6. Complete for both sides of the vehicle.

TOOLS REQUIRED

Trim Tool

FASTENERS



7. Remove the 10mm head screws securing the bumper to the underbody bash plate.
8. Removal of the shrouds surrounding the tow point is also required. These use the same bolts.

TOOLS REQUIRED

10mm socket

FASTENERS

Factory Bolts (Discard)



9. Remove the T30 Torx screws securing bumper to the wheel arch liner.

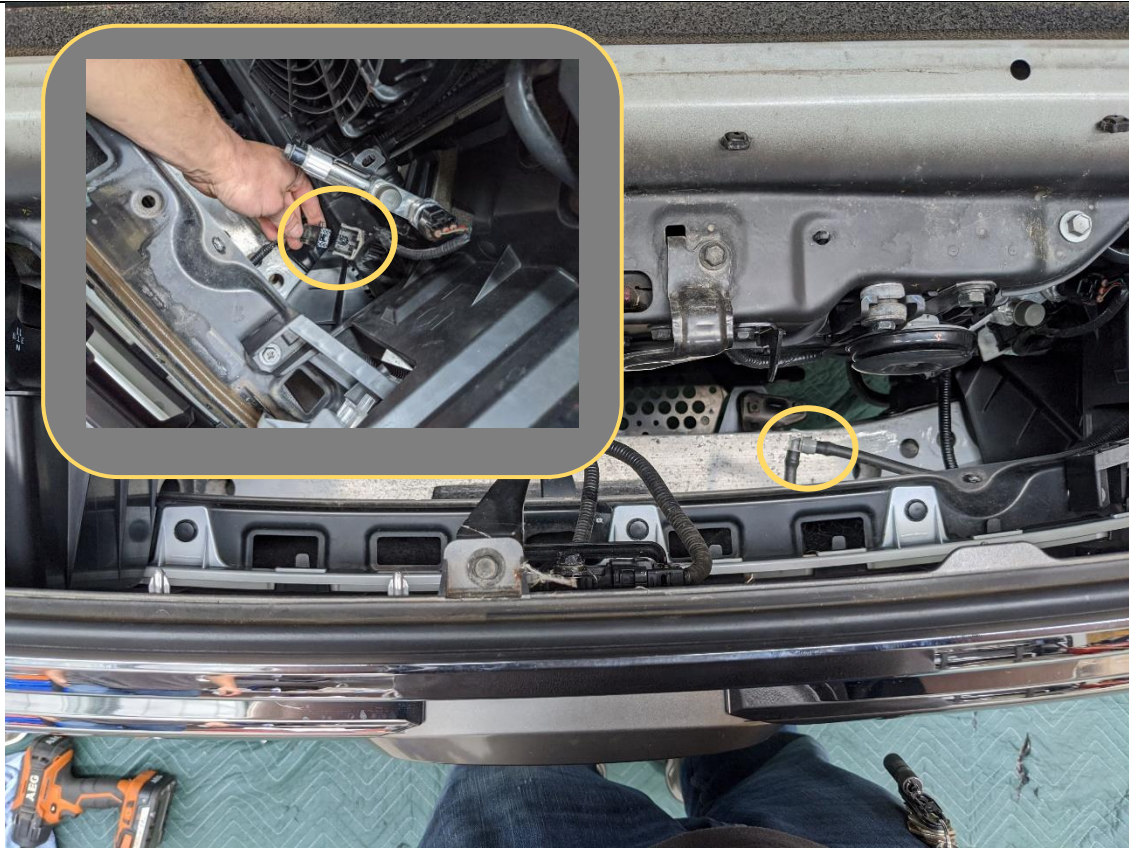
10. Complete on both sides of the vehicles

TOOLS REQUIRED

T30 Torx Driver

FASTENERS

Factory Torx Screws (Discard)

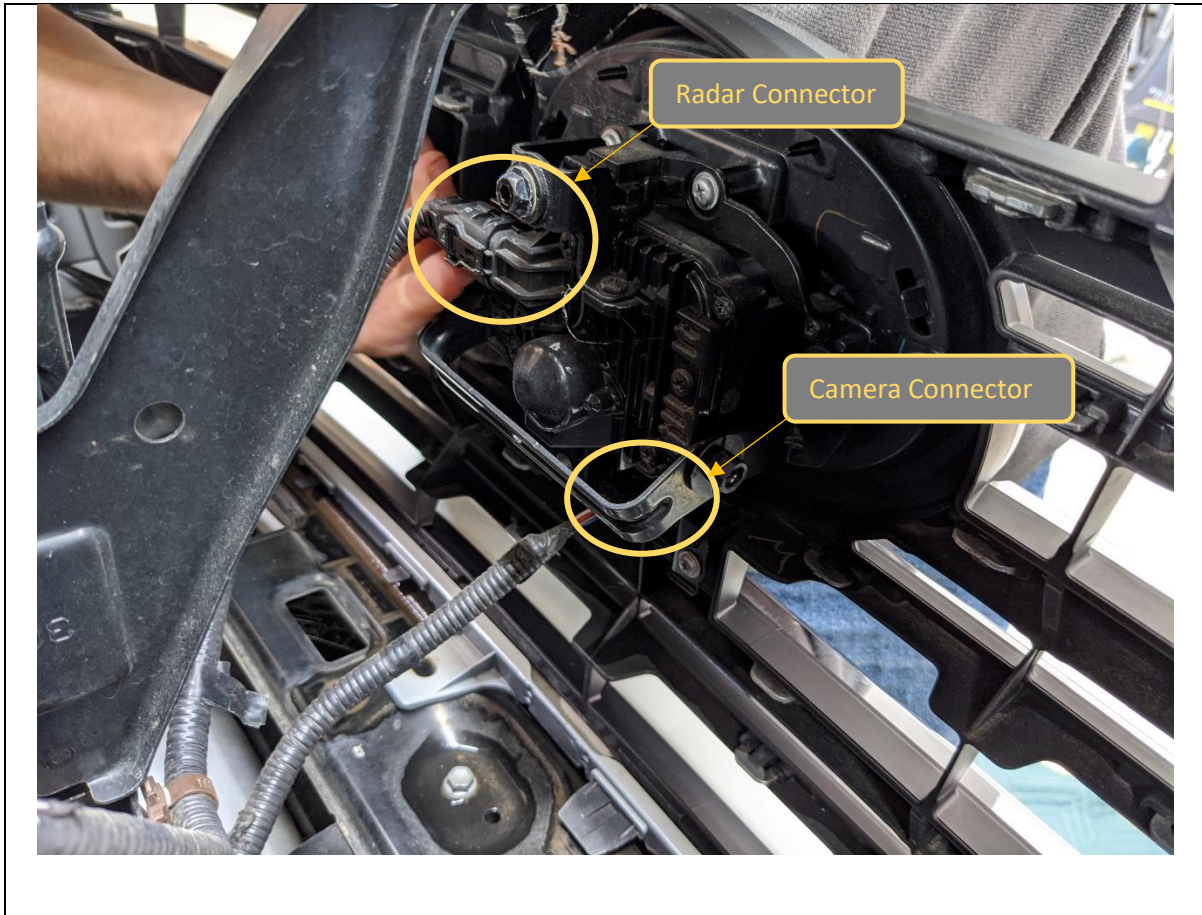


11. Disconnect the main electrical harness, located on the LHS of vehicle near bottom of grille.
12. For vehicles equipped with headlight washers, disconnect the headlight washer hose at the quick connect fitting.

If there is any washer fluid in the reservoir it will spill out. Have a bucket on hand to drain the washer fluid or use a hose clamp to prevent the fluid from leaking

TOOLS REQUIRED
Bucket or Hose Clamp

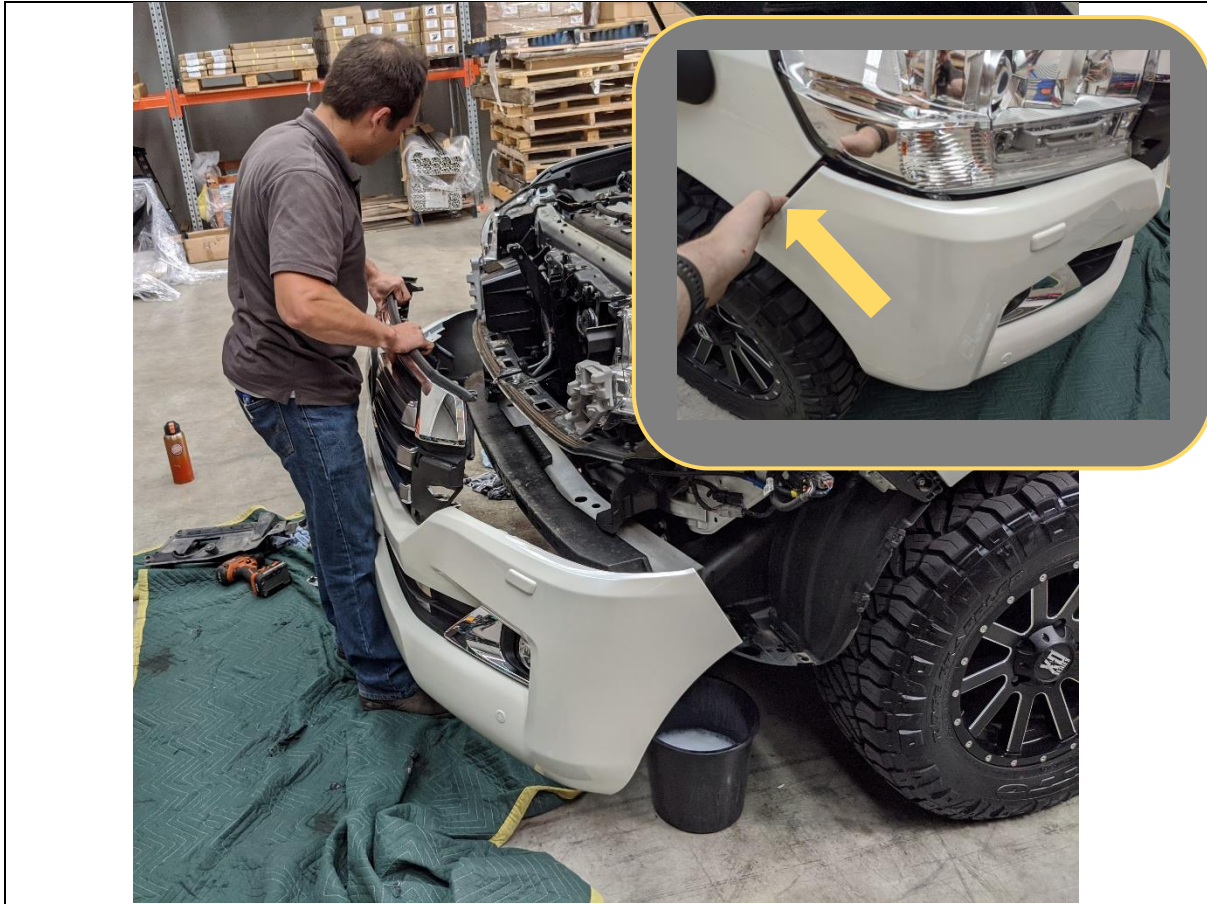
FASTENERS



13. For Vehicles equipped with Adaptive cruise radar sensor and / or front camera, Disconnect the electrical harness connectors located on the back of the sensors.

TOOLS REQUIRED

FASTENERS



14. Starting from the wheel arch, carefully pull the bumper away from the body of the vehicle to release the clips.

15. Once all clips are released, carefully lift the bumper from the car and set aside on a soft surface.

TOOLS REQUIRED

FASTENERS



16. Remove the grille from the bumper by pinching and pushing forward the clips securing the bottom edge of grille to bumper.

TOOLS REQUIRED

FASTENERS



17. Re-Fit grille to vehicle, Secure the grille using the factory fasteners removed earlier.

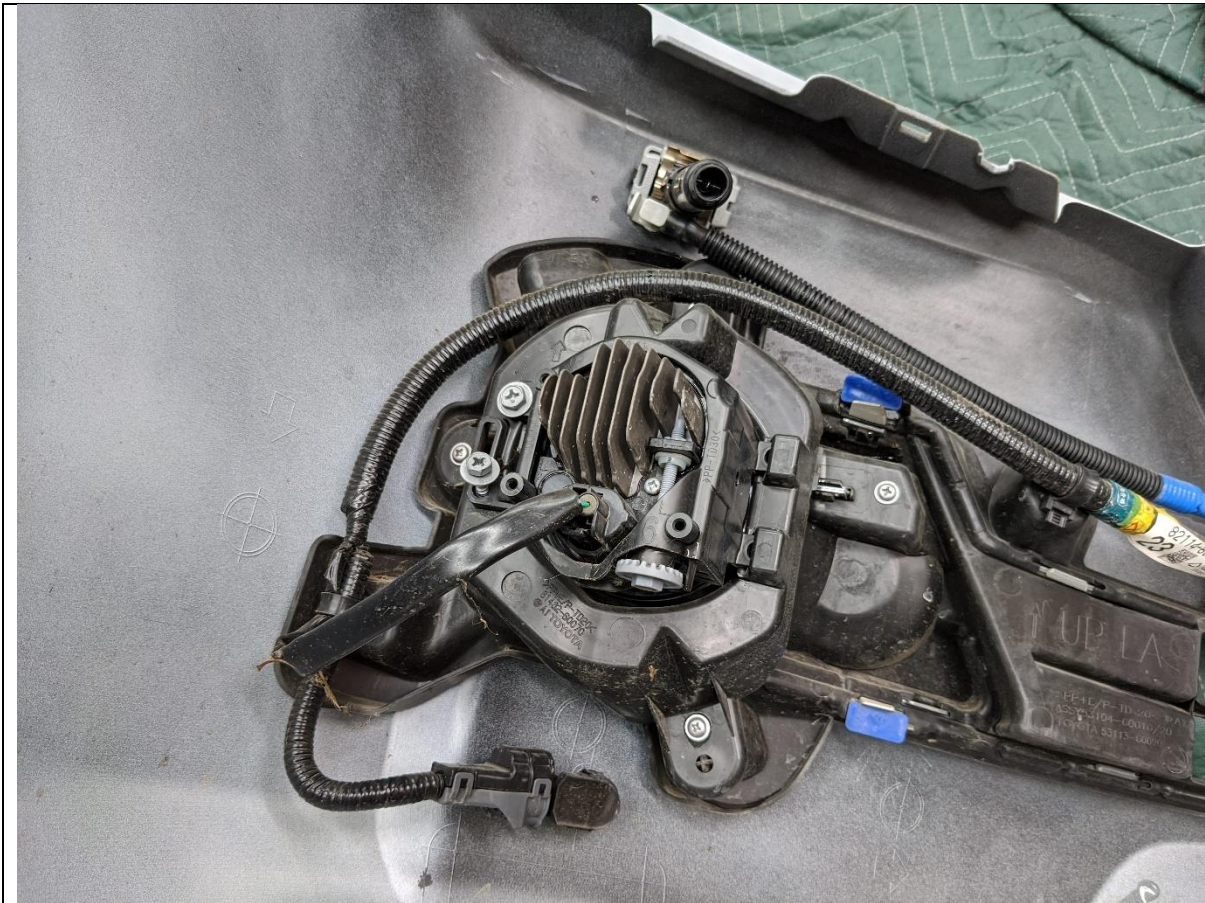
18. Ensure the grille is located correctly on the locating lugs just above the bolt hole.

TOOLS REQUIRED

10mm Socket

FASTENERS

Re-Use Factory



19. Disconnect the Fog light harness from the fog light.
20. Remove the fog lights from the bumper, by removing the two Philips head screws.
21. Remove both the electrical harness, and headlight washer pipes from the bar, by prying out the clips using trim tool.
22. Complete on both sides of bumper.

TOOLS REQUIRED

Phillips head Screwdriver
Trim tool

FASTENERS

Discard Factory Screws

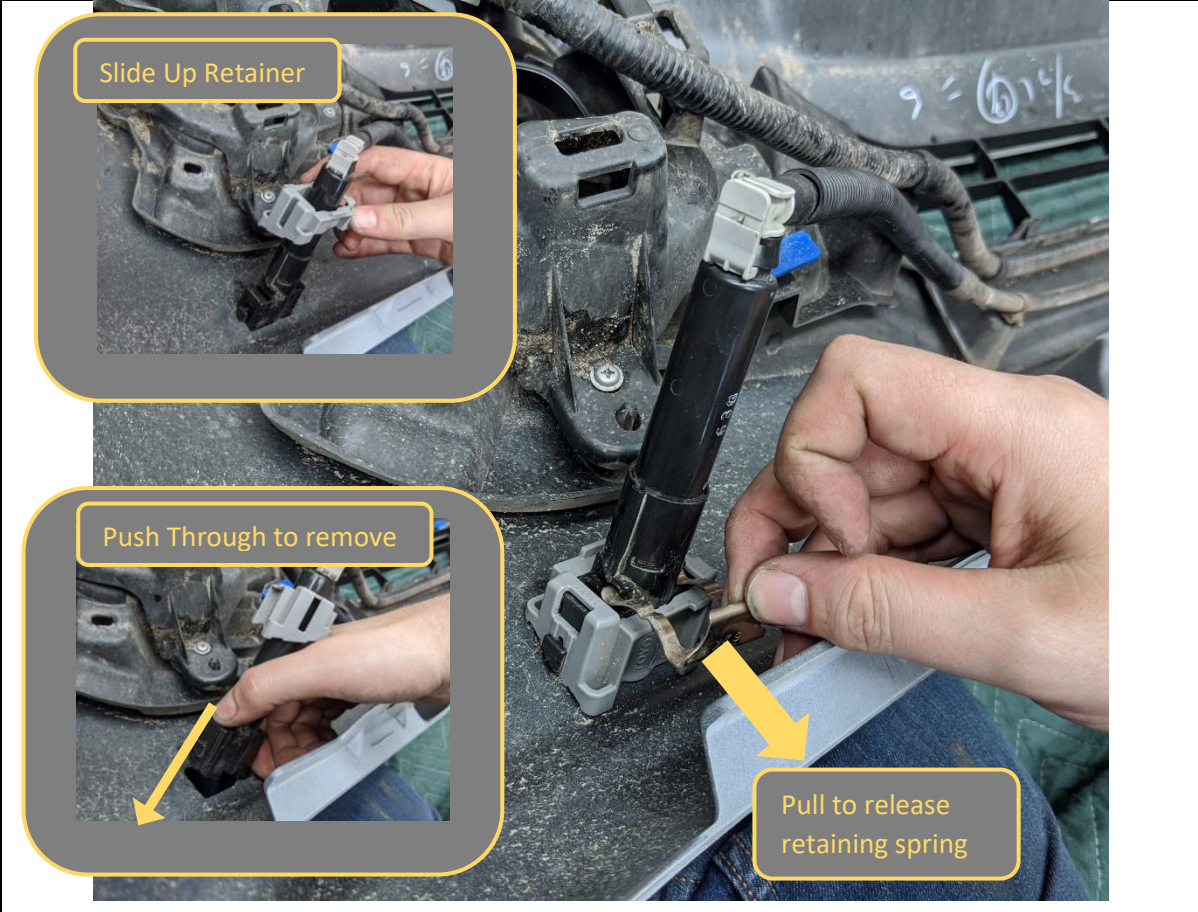


23. Disconnect the parking sensors from the loom by first prying open the plastic housing, then disconnecting the multi plug connector.

24. Squeeze the small retaining tabs on the sensor housing whilst pushing the sensor forward, through the bumper. The tabs should release and allow the sensor to be removed from the front of the bumper as shown.

TOOLS REQUIRED

FASTENERS

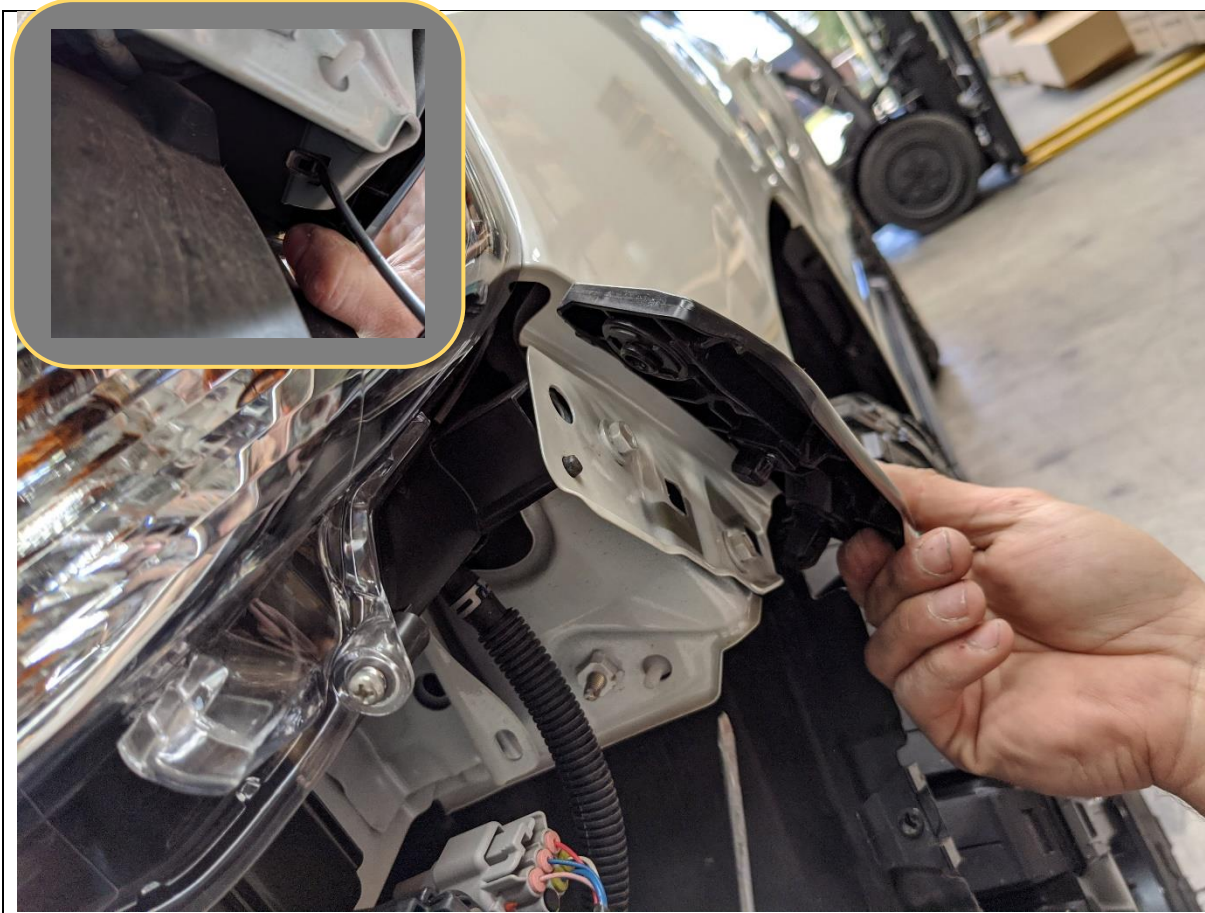
	
<p>25. If vehicle is equipped, remove headlight washers from the bumper. Start by disconnecting the supply hose.</p> <p>26. Release the retaining spring by firmly pulling it as shown in the image.</p> <p>27. Next slide up the grey plastic retainer.</p>	<p>TOOLS REQUIRED</p>
<p>28. Once loose push the headlight washer through the bumper to remove.</p>	<p>FASTENERS</p>



29. Remove the foam covering the impact beam assembly by lifting it off.
30. Remove the 6x 14mm head bolts holding the impact beam to the impact beam brackets.
31. Remove and set aside the aluminum impact beam.

TOOLS REQUIRED
14mm Socket
Extension Bar

FASTENERS
6x 14mm Head factory bolts



32. Remove the plastic bumper retainers by removing the Phillips head screw, then prying out the large clip from behind using trim tool

TOOLS REQUIRED

Phillips head screwdriver
Trim Tool

FASTENERS

Phillips Head screw.



33. On vehicles with light colour paint, such as the car shown. It is recommended to paint the under headlight areas that will be visible through bar clearance gaps and mesh panels.

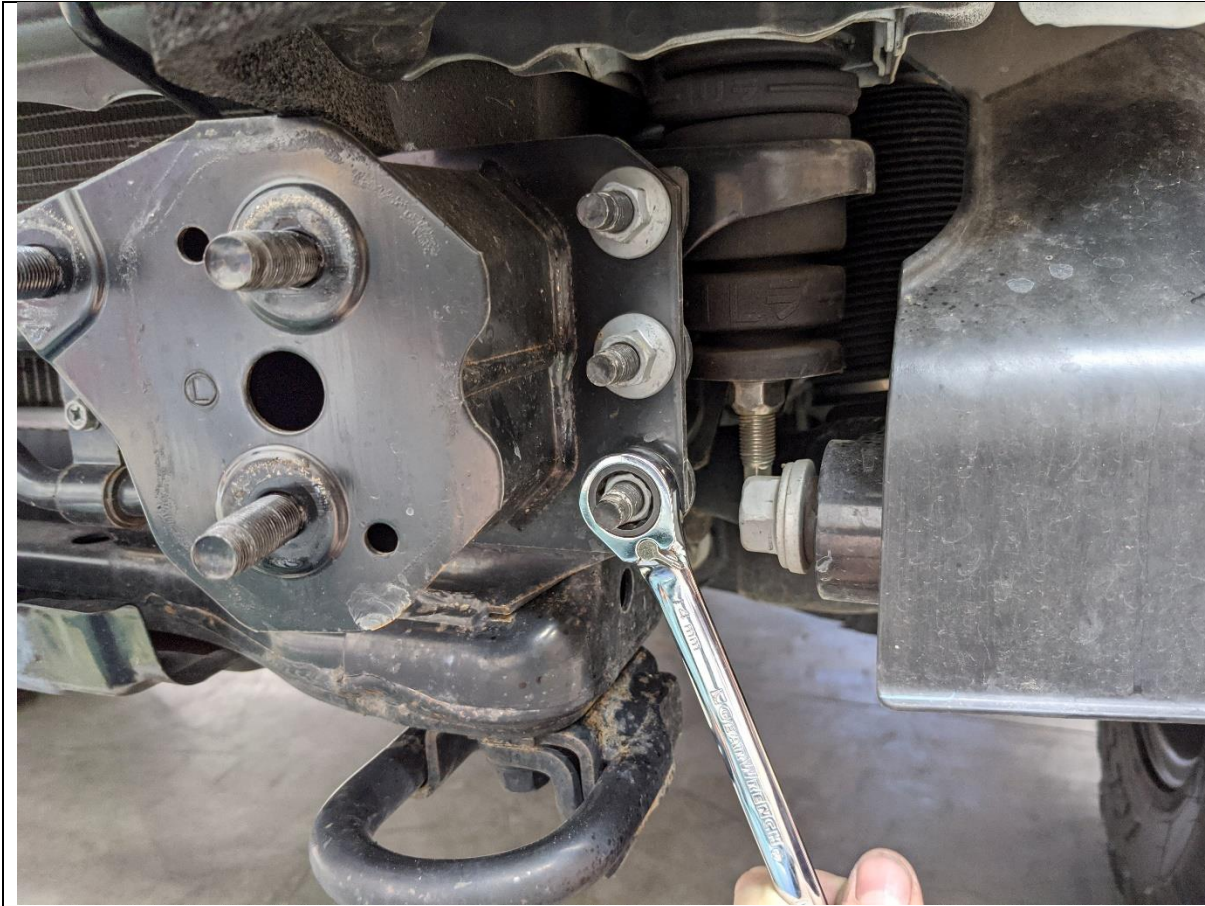
34. Mask off headlight and panel using masking tape as shown.

35. Paint area using Matte black automotive grade paint.

TOOLS REQUIRED

Masking Tape
Black Automotive Paint

FASTENERS



36. Remove Steel impact beam mounts by removing the 5x 14mm head flange nuts on each side.

37. Retain nuts for fitment of bullbar mounts.

TOOLS REQUIRED

14mm Spanner

FASTENERS

14mm Head Factory Flange Nuts



38. Remove the Factory tow point, by removing the 17mm head factory bolts.

39. Retain bolts for fitment of bullbar mounts.

TOOLS REQUIRED

17mm Socket

FASTENERS

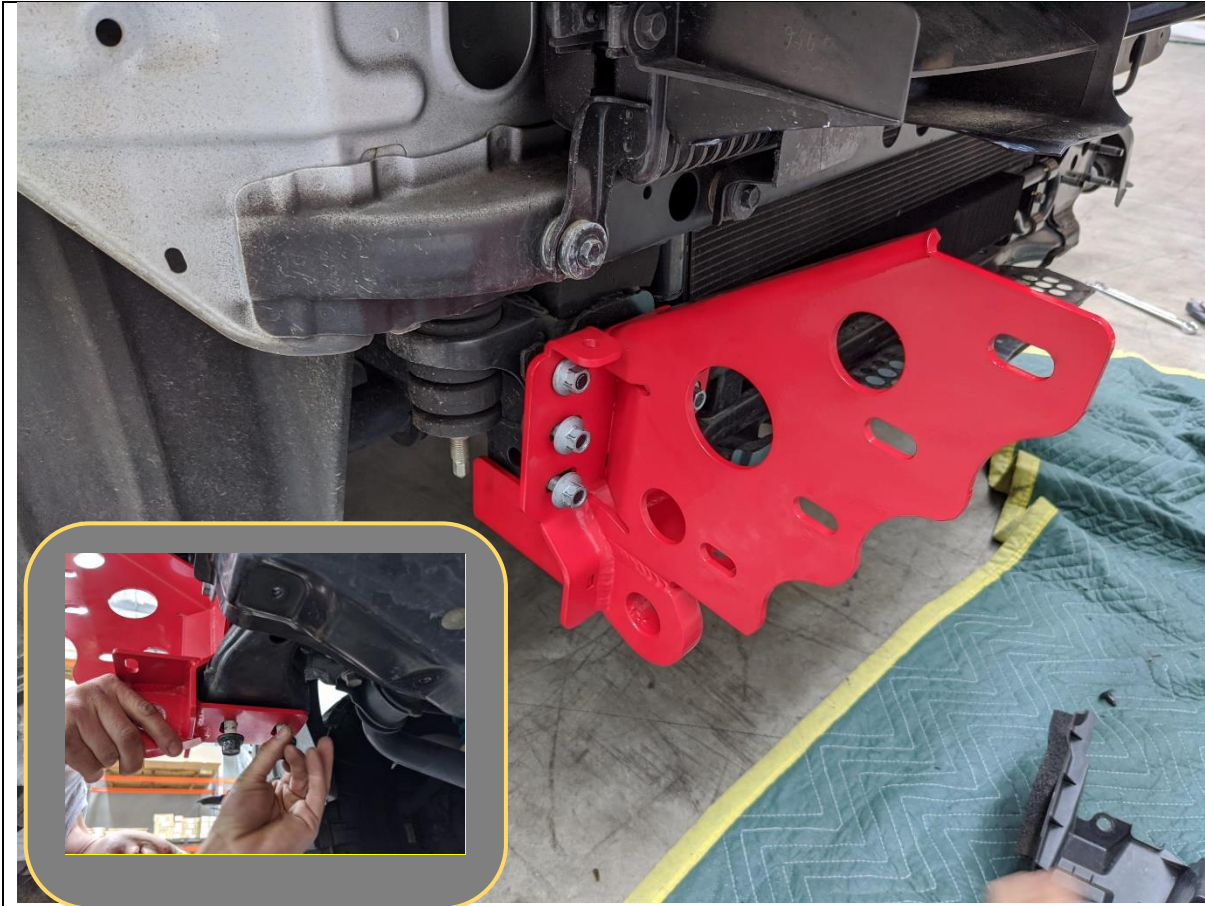
17mm Head Factory Bolts



- 40. Plastic air guides need to be trimmed to allow clearance for the bullbar mounts.
- 41. Using a sharp utility knife or an air hacksaw, cut along the corners as shown in the image.
- 42. Repeat for both sides of the vehicle.

TOOLS REQUIRED
Utility knife
Or
Air Hacksaw

FASTENERS

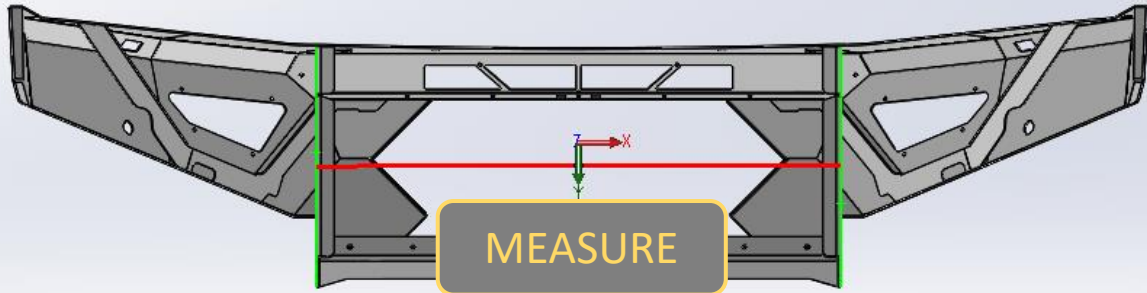


43. Fit the Impact mounts to the chassis, re using the original factory flange nuts (front) and Bolts (Bottom) as shown.

44. Leave bolts finger tight at this stage.

TOOLS REQUIRED

FASTENERS



45. Measure Distance between outside edges uprights on bar using tape measure. Write distance below for reference if required.

Bar Upright Width = _____mm

46. Adjust mounts by sliding mounts on slots, such that distance between outside edges of mounts is approximately 2mm less than bar.

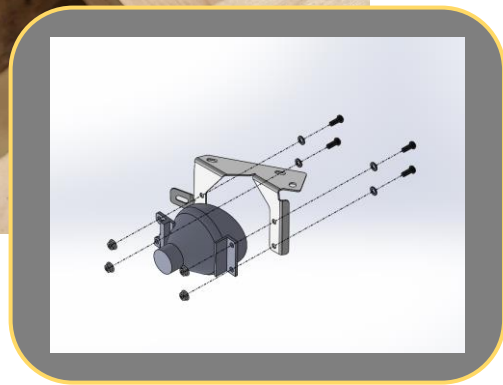
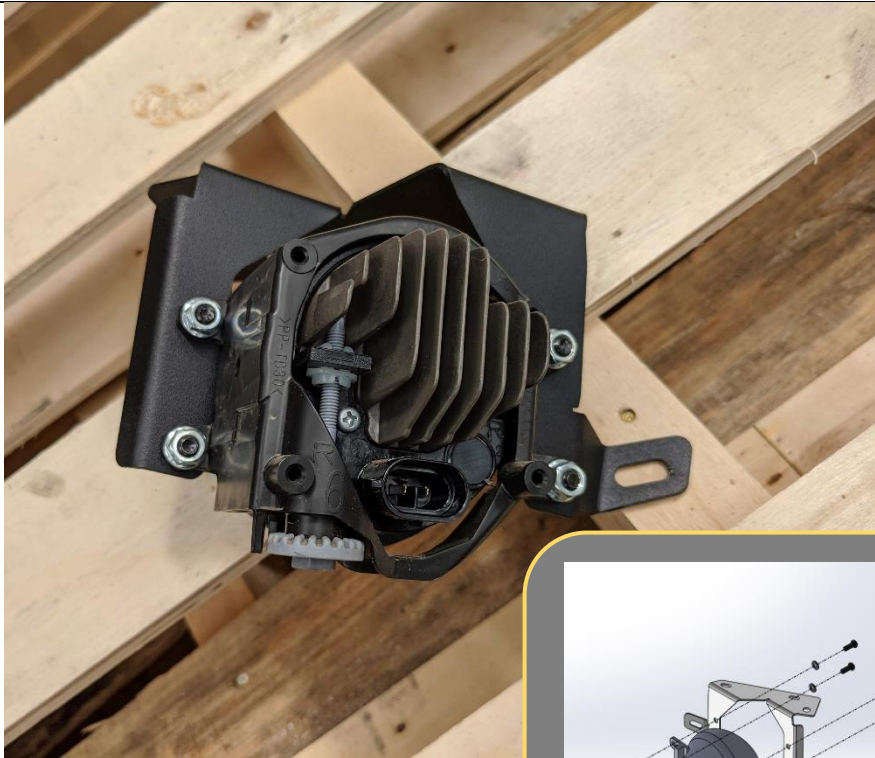
47. Secure and tighten mounts.

TOOLS REQUIRED

TAPE MEASURE

FASTENERS

Factory Nuts to secure mounts



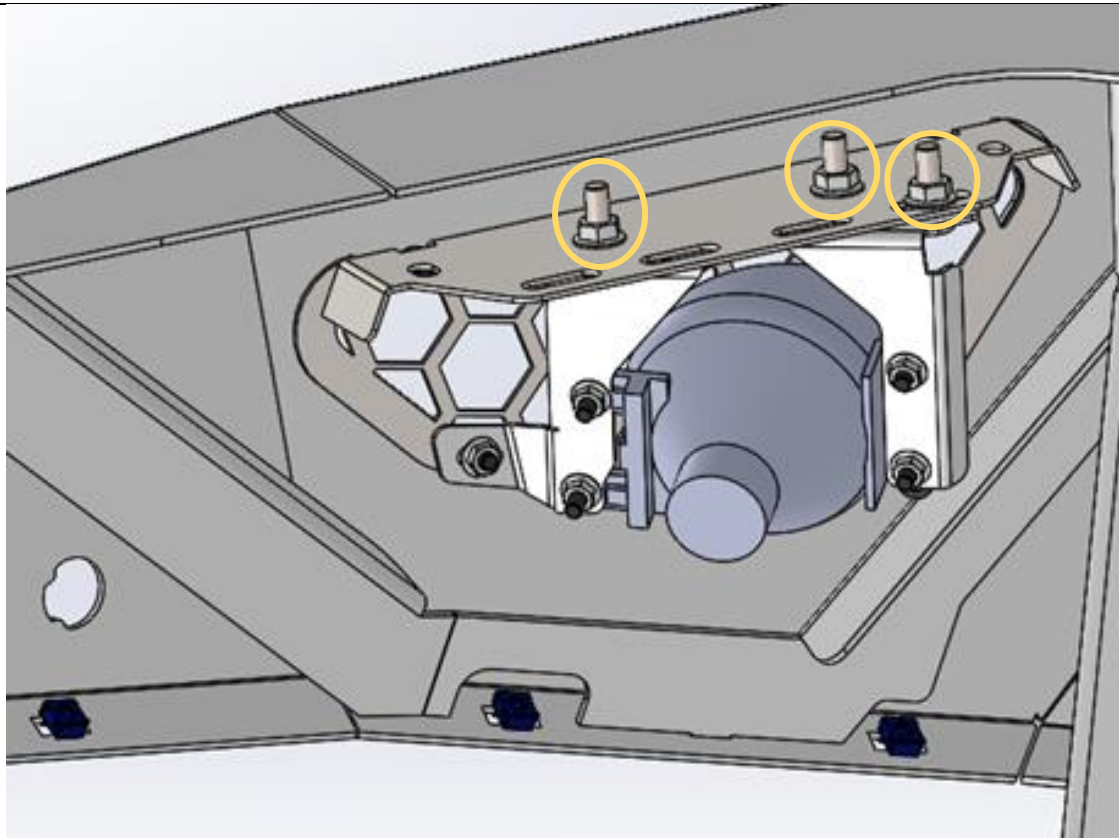
48. Re-Fit fog lamps to the Fog light brackets (B-0186L/R) using M6X16 Button head Bolts, Flat washers and Flange nuts from the Small Parts Kit.
49. Secure and tighten using 4mm Allen Key and 10mm Spanner

TOOLS REQUIRED

4mm Allen Key
10mm Spanner / Socket

FASTENERS

4x M6x16 BHCS – Black
4x M6 Flat Washer
4x M6 Flange Nut



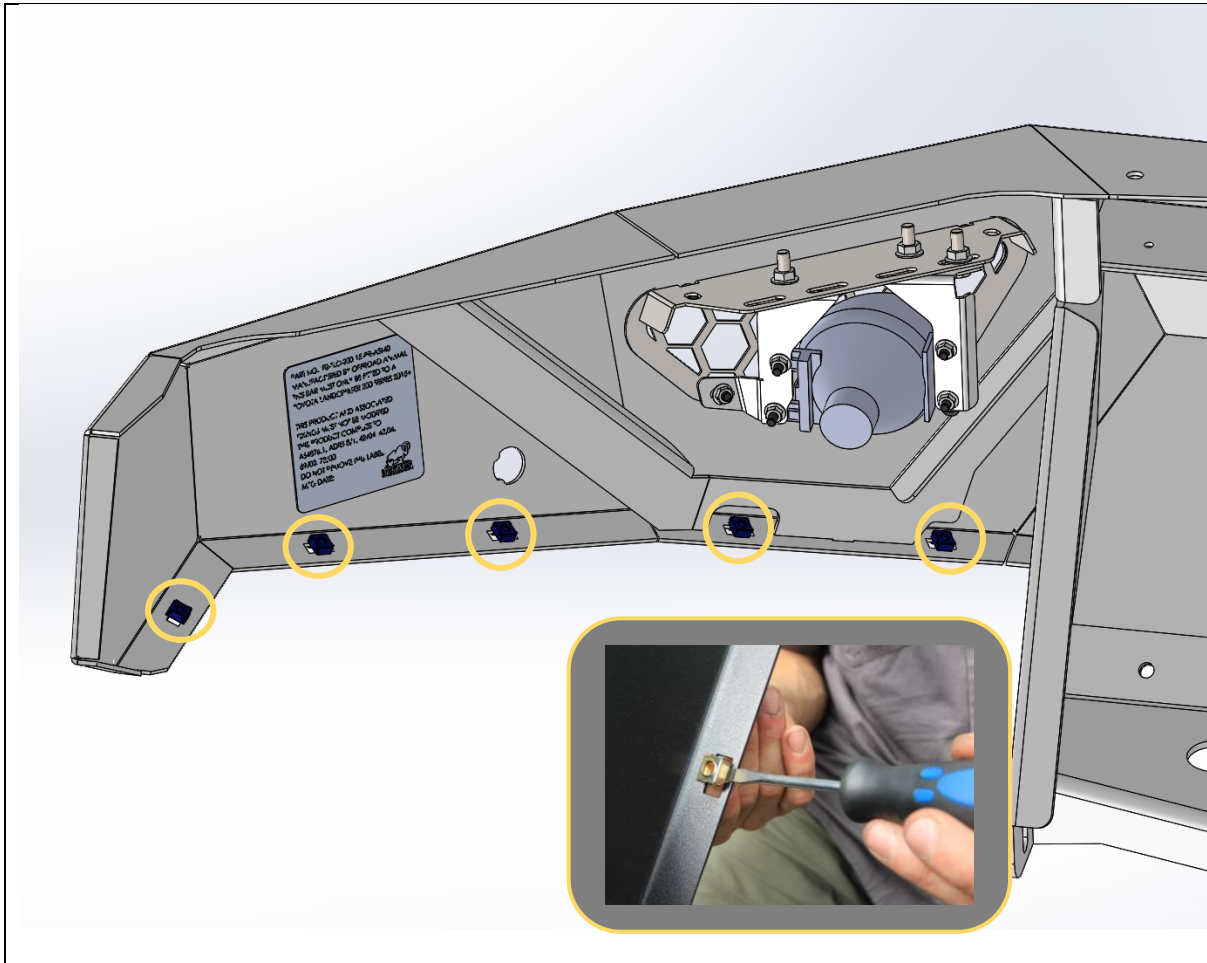
50. Fit fog light bracket, with fog light in place to the Mesh panel using 3x M8x25,
51. Secure and tighten using 13mm Spanner or socket.
52. Repeat for other side of bar.

TOOLS REQUIRED

4mm Allen Key
10mm Spanner / Socket
13mm Spanner / Socket

FASTENERS

3x M8x25 Hex
3x M8 Flat Washer
3x M8 Flange Nut



53. Fit 5x Cage nuts from small parts kit to rectangular slots in bottom of wing.

Use a small flat bladed screwdriver to push the edge of the cage to engage with the slot to aid fitting.

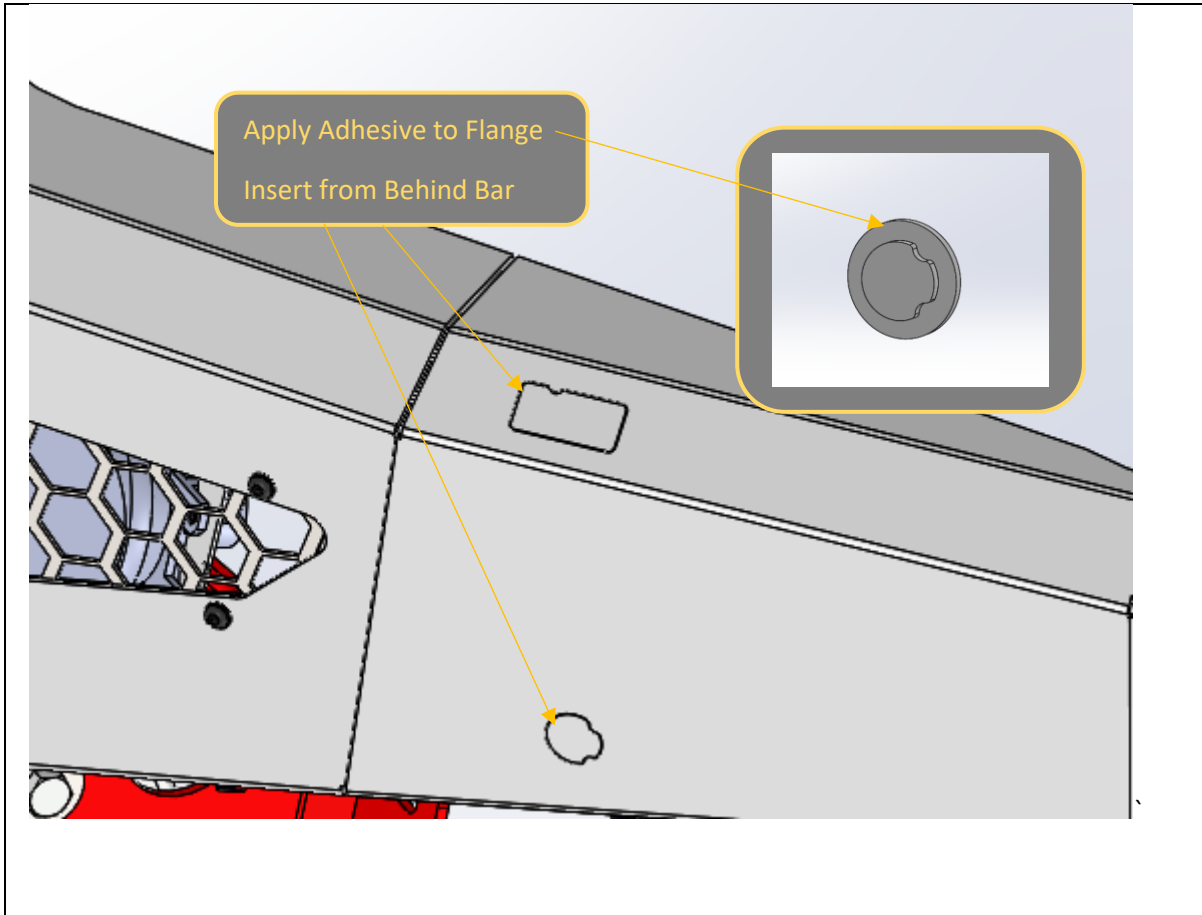
54. Repeat for other side of Bar

TOOLS REQUIRED

Small Flat Bladed Screwdriver

FASTENERS

5x M6 Cage Nut



55. If not fitting sensors / washers install supplied plug plates, using Automotive grade adhesive

TOOLS REQUIRED

Automotive adhesive

FASTENERS



56. If Equipped Re fit headlight washers to bar.

57. Washers need to be fitted upside down to match the angle of bar correctly. Follow the reverse of removal procedure to re-fit.

58. Once fitted pull out the washer assembly with long nose pliers and adjust the washer nozzles to squirt towards the headlights, final adjustment can be performed when the bar is fitted to the car.

TOOLS REQUIRED

Long Nose Pliers

FASTENERS



59. Re Fit parking sensors to the bar. Insert the sensor from the front of the bar. Push the sensor through and allow the tabs to expand and hold the sensor in place.

60. Re fit electrical harness and Headlight washer hose to bar. Secure using cable ties.

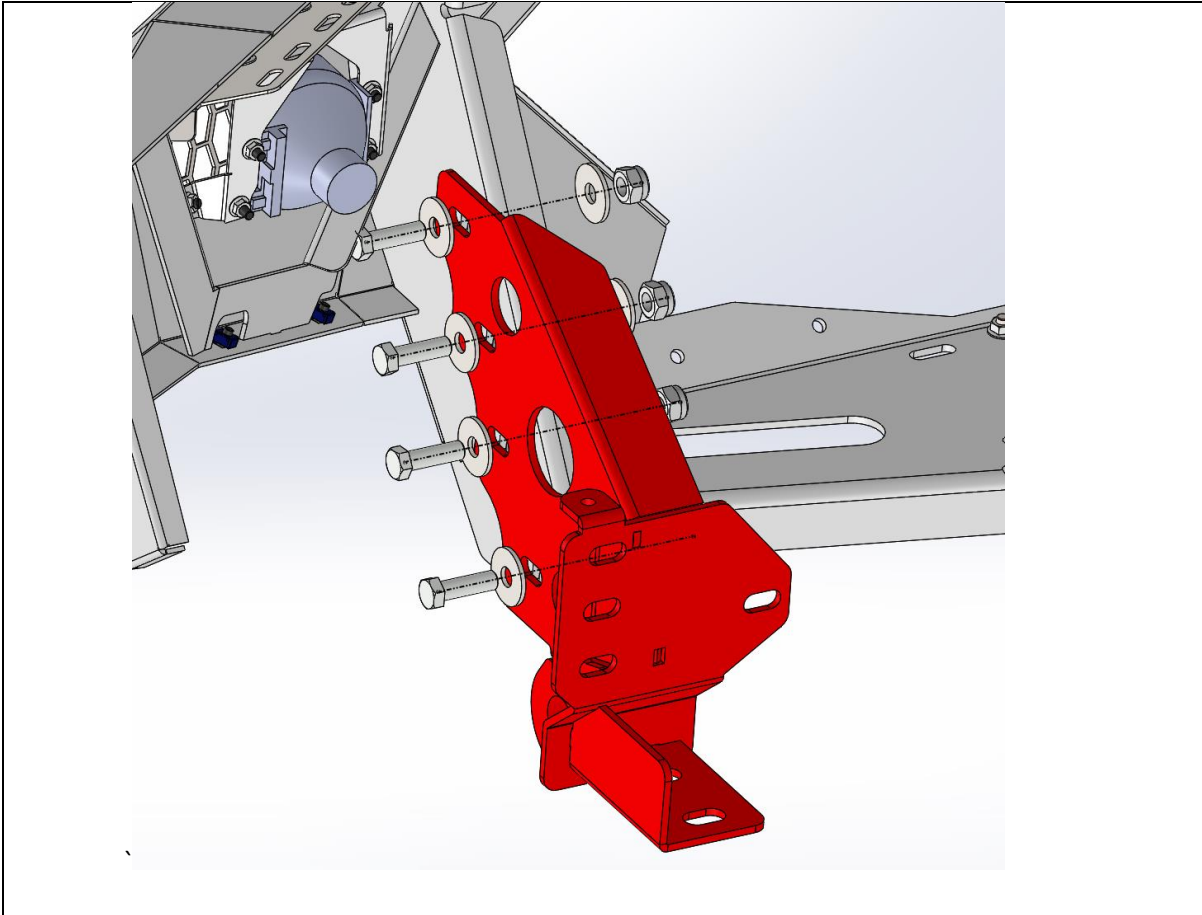
61. Fit Pinch Weld to bar. Position on wings under area where headlights will be.

TOOLS REQUIRED

Automotive adhesive

FASTENERS

Cable Ties



62. With assistance, either from another person, or a lifting trolley, lift the bar onto the mounts on the vehicle.
63. Secure with 4x M12x30 Bolts, Heavy Duty washers and M12 Nyloc Nuts per side, Finger tight at this stage.

TOOLS REQUIRED

Lifting Trolley

FASTENERS

8x M12x30 Bolt
16x M12 Heavy Duty Large Washer
8x M12 Nyloc Nut



64. With assistance, from another person, Align the bar with the edges of the vehicle. Adjust such that the clearances are neat and even side to side.

Acceptable range of clearances shown in image above.

65. Once in position tighten the M12 Bolts using socket and spanner. An impact driver may be used to speed up this process.

TOOLS REQUIRED

Lifting Trolley
19mm Socket and Spanner

FASTENERS

8x M12x40 Bolt
16x M12 Heavy Duty Large Washer
8x M12 Nyloc Nut



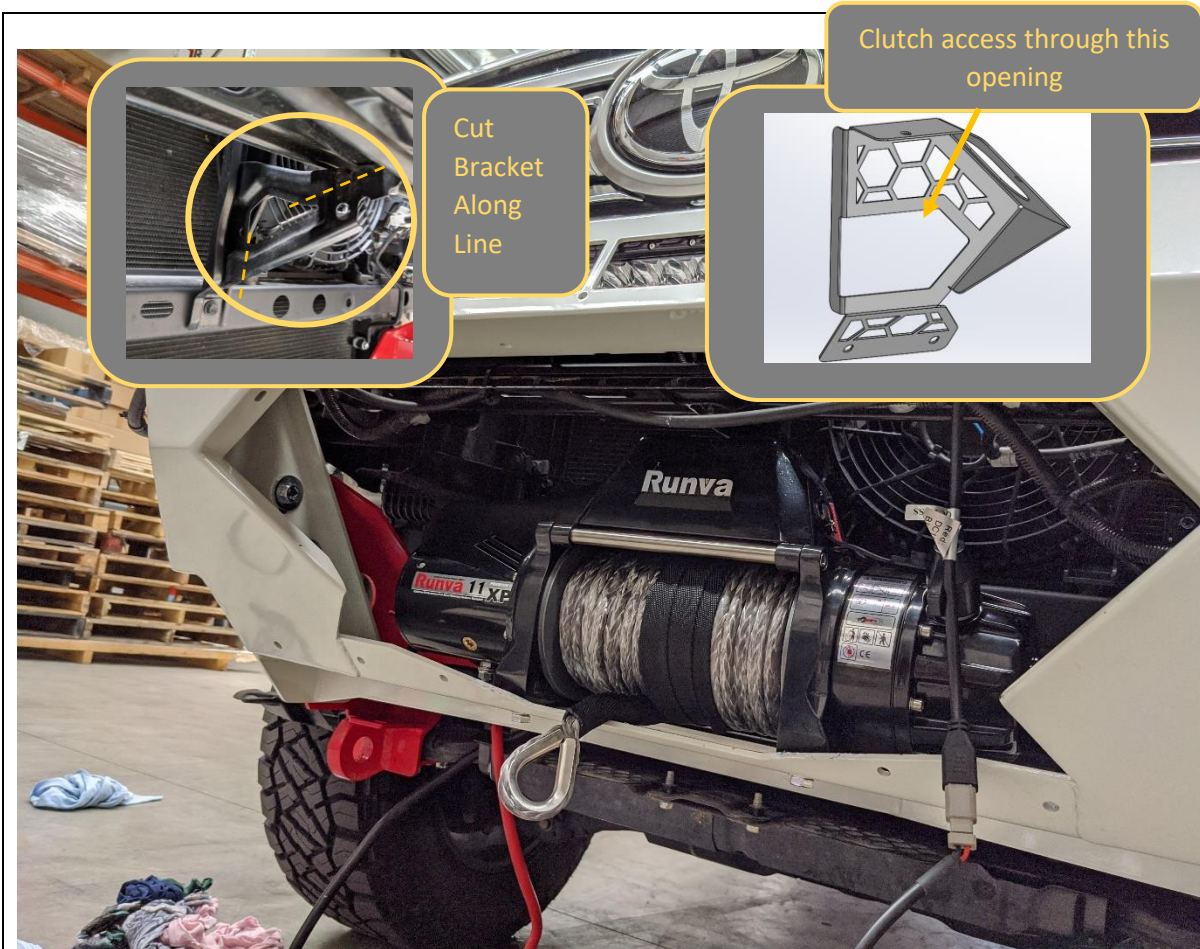
- 66. If fitting an integrated light bar, do so now. Leave bolts loose at this stage to allow fitment of mesh panels.
- 67. The bar is designed to fit a STEDI ST3K 21.5 inch light bar. If fitting this light bar, assemble bar with legs inward, and it will line up with the slots in the center gusset. Secure with M8 Fasteners supplied with the light bar.
- 68. The bar can accommodate most other "20 inch" size light bars.

TOOLS REQUIRED

13mm Spanner / Socket

FASTENERS

Supplied with Light Bar



69. If fitting a winch, do so now.

70. The bar is designed to fit most low mount winches, in foot down configuration. WARN ZEON 10 is largest winch confirmed to fit.

71. The control box can to be mounted on top of the winch. Winches usually come with a bracket to allow this. Refer to winch manufacturer.

72. If fitting winch with top mounted control box, bumper support bracket shown in inset photo must be removed. Cut bracket with air hacksaw or grinder.

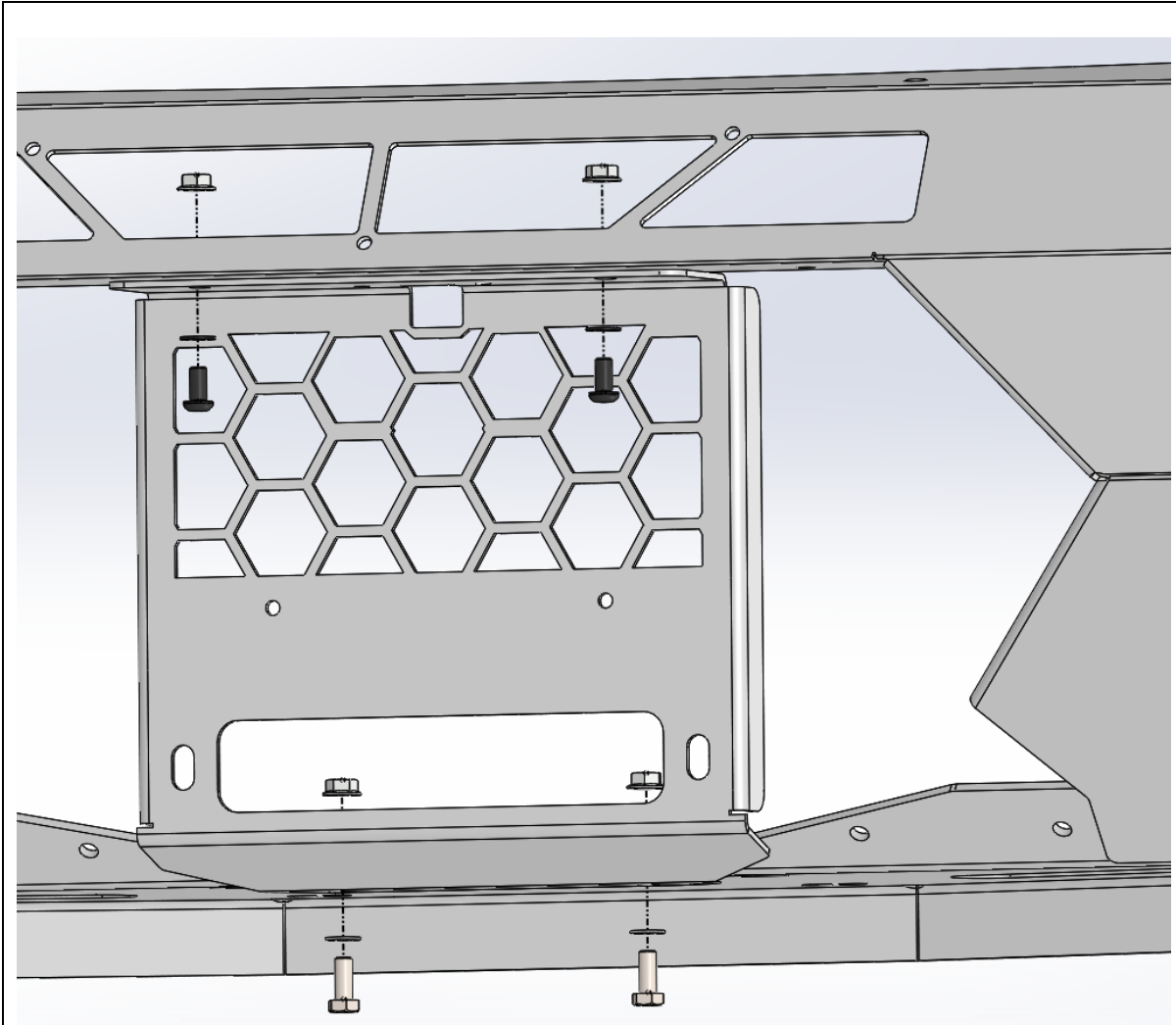
73. Ensure clutch handle will be accessible through access hole in front mesh panel. Refer to winch instructions regarding changing clutch handle location.

TOOLS REQUIRED

Refer to winch fitting instructions

FASTENERS

Supplied with winch



74. If Required, Fit winch fairlead to Mesh Fairlead Mount (M-0007). Use M10 or 3/8" Fasteners supplied with winch. The bar is only compatible with Hawse type fairleads.

75. Fit the Mesh Fairlead Mount (M-0007) to the center of the bar, using M8x16 Button head (Top), M8x20 Hex (Bottom) M8 Flat washers and M8 Flange Nuts.

76. Tighten fasteners using 13mm socket / spanner and 5mm Allen Wrench.

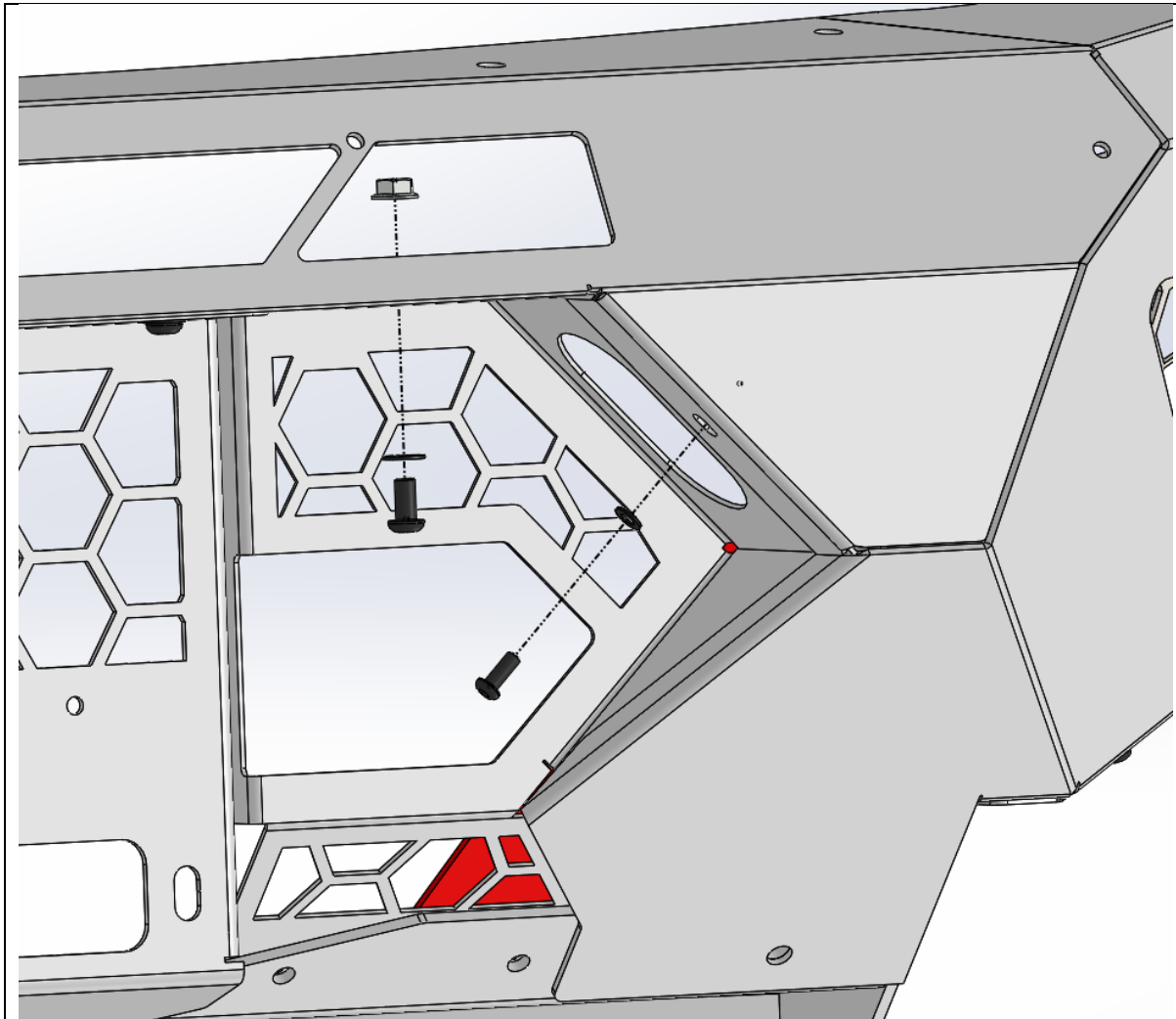
77. Fit Number plate flip kit to fairlead mount, using fasteners supplied in kit.

TOOLS REQUIRED

13mm Spanner
5mm Allen Wrench

FASTENERS

2x M8x16 Button Head
2x M8x20 Hex Head
4x M8 Flange Nut
4xM8 Flat Washer



78. Fit Mesh Infill Panels (M-0015L/R). Use M8x16 Button head bolt, M8 flat washer and M8 flange nut for top mount and M6x16 button head, M6 flat washer and M6 Flange nut for side bolt
79. Don't fit any bolts to bottom holes at this stage.
80. Tighten top fasteners using 13mm socket / spanner and 5mm Allen Wrench.
81. Tighten side fasteners using 13mm socket / spanner and 5mm Allen Wrench. Reach through access hole in mesh panel to reach nut.

TOOLS REQUIRED

- 13mm Spanner
5mm Allen Wrench
10mm Spanner
4mm Allen Wrench

FASTENERS

- 2x M8x16 Button Head
2x M6x16 Hex Head
2x M8 Flange Nut
2xM8 Flat Washer
2xM6 Flange Nut
2xM6 Flat washer



82. Fit Light cover mesh to bar using 4x M6x16 Button head bolts, Flat washers and M6 Flange Nuts

83. Secure and tighten using 5mm Allen Key and 10mm Spanner

TOOLS REQUIRED

4mm Allen Key
10mm Spanner / Socket

FASTENERS

4x M6x16 BHCS – Black
4x M6 Flat Washer
4x M6 Flange Nut
Per side



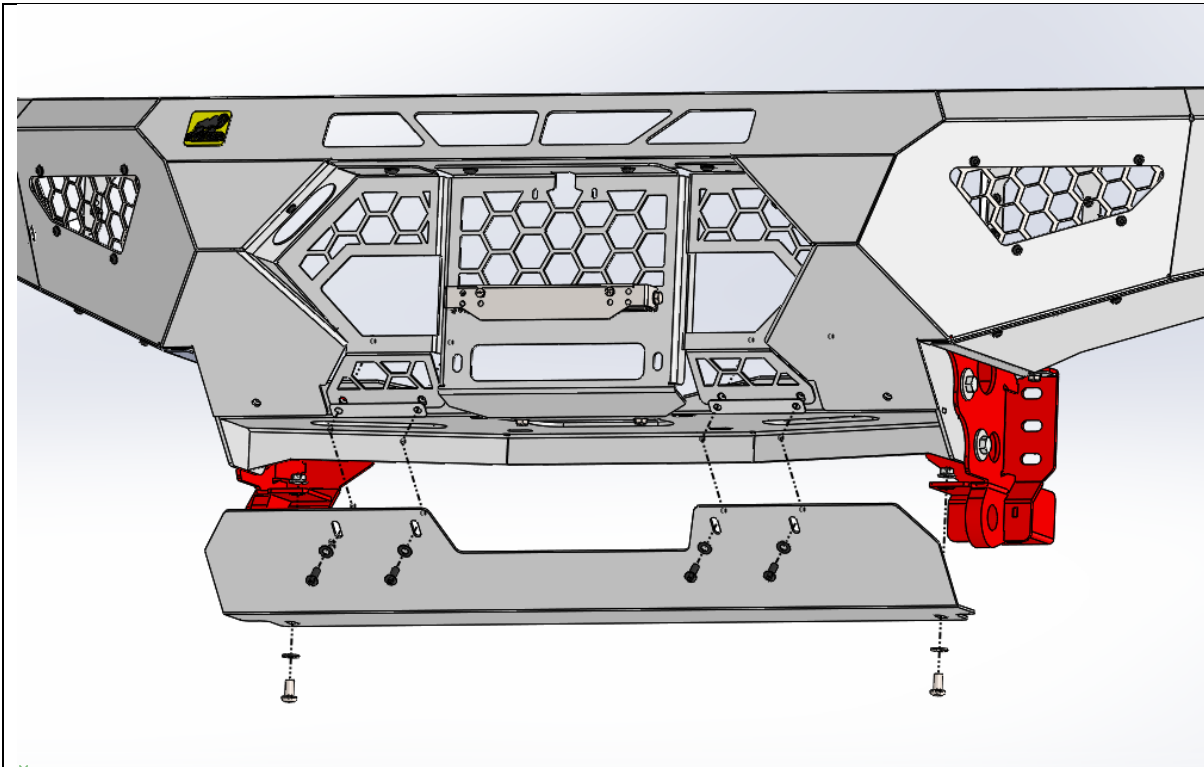
84. Re Connect Electrical Harness and headlight washers behind grille. If equipped also reconnect Radar and Camera harnesses.

85. Replace upper radiator cowl using original clips.

TOOLS REQUIRED

FASTENERS

Factory clips (re-use)



86. Fit Center Bash Plate (U-0011) using, M8x30 button head, flat washer and flange nut to front face. Ensure these fasteners pass through the side mesh panels also. Ensure the Shims are between the bash plate and mesh panels.

87. Secure back of Center Bash Plate (U-0011) using M10x20 Button head, Flat washers and M10 Flange nuts.

88. Tighten Bottom fasteners using 6mm Allen wrench and 16mm spanner

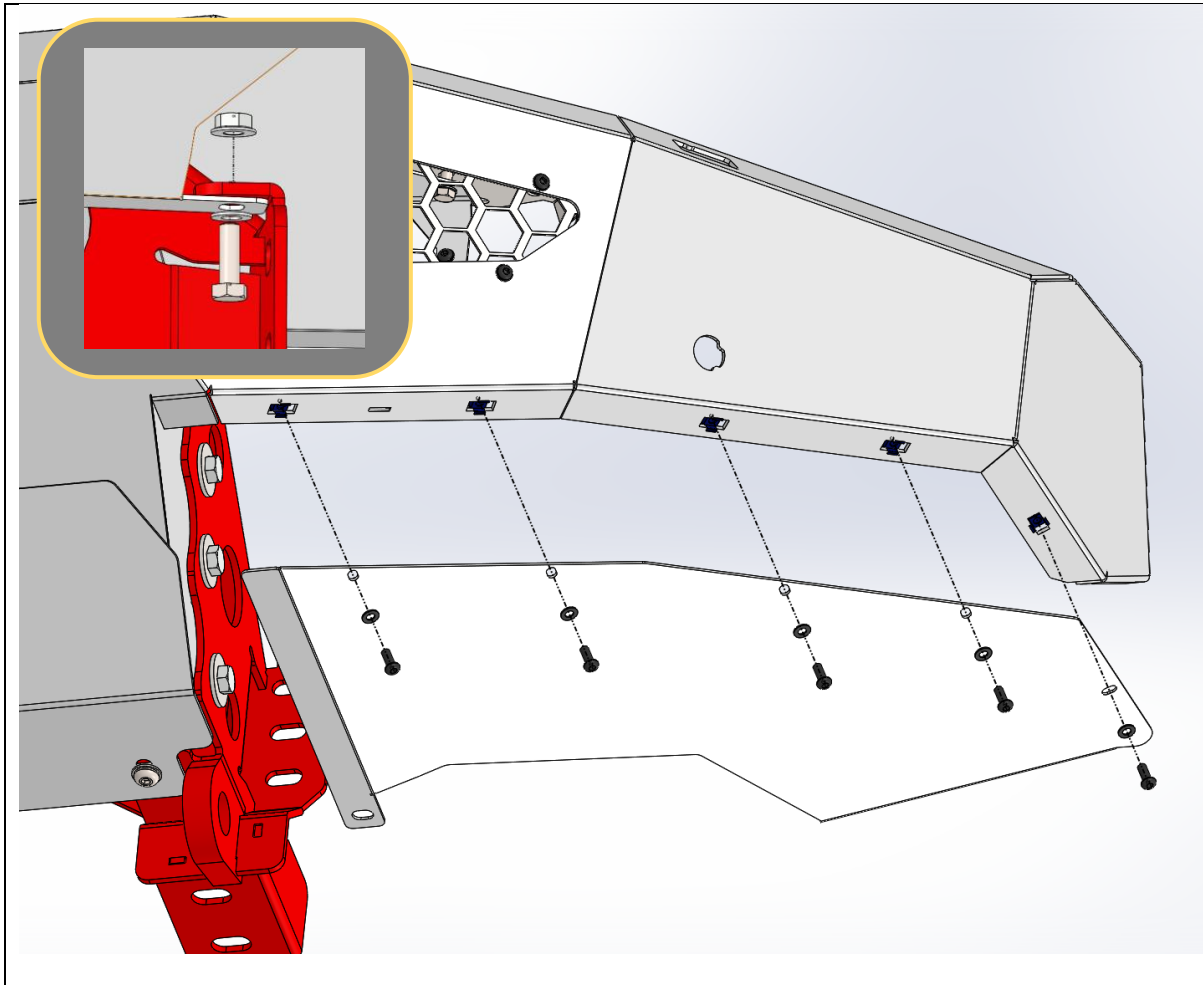
89. Tighten front fasteners using 13mm socket / spanner and 5mm Allen Wrench. Reach through access hole in mesh panel to reach nut.

TOOLS REQUIRED

13,15mm Spanner
5,6mm Allen Wrench

FASTENERS

2x M10x20 Button Head
2x M10 Flat Washer
2x M10 Flange Nut
4x M8x30 Button Head
4x M8 Flange Nut
4xM8 Flat Washer
2x P-0072 Shim



90. Fit Side Underpanels (U-0008L/R) using, M6x16 button head and flat washer into the cage nuts placed earlier.
91. Tighten with 4mm Allen wrench
92. Secure back of side under panel to mount using M8x25 Hex Bolt, Flat washer and M8 Flange Nut.
93. Leave finger Tight at this stage

TOOLS REQUIRED

FASTENERS

- 10x M6x16 Button Head
- 10x M6 Flat Washer
- 2x M8x25 Hex Head
- 2x M8 Flange Nut
- 2x M8 Flat Washer



94. Using the edge of the under panel as a guide mark the wheel arch liner, approximately 15mm beyond the intersection of the under panel.

95. Cut along line as marked using utility Knife

96. Tuck the wheel arch liner behind the flange on the under panel

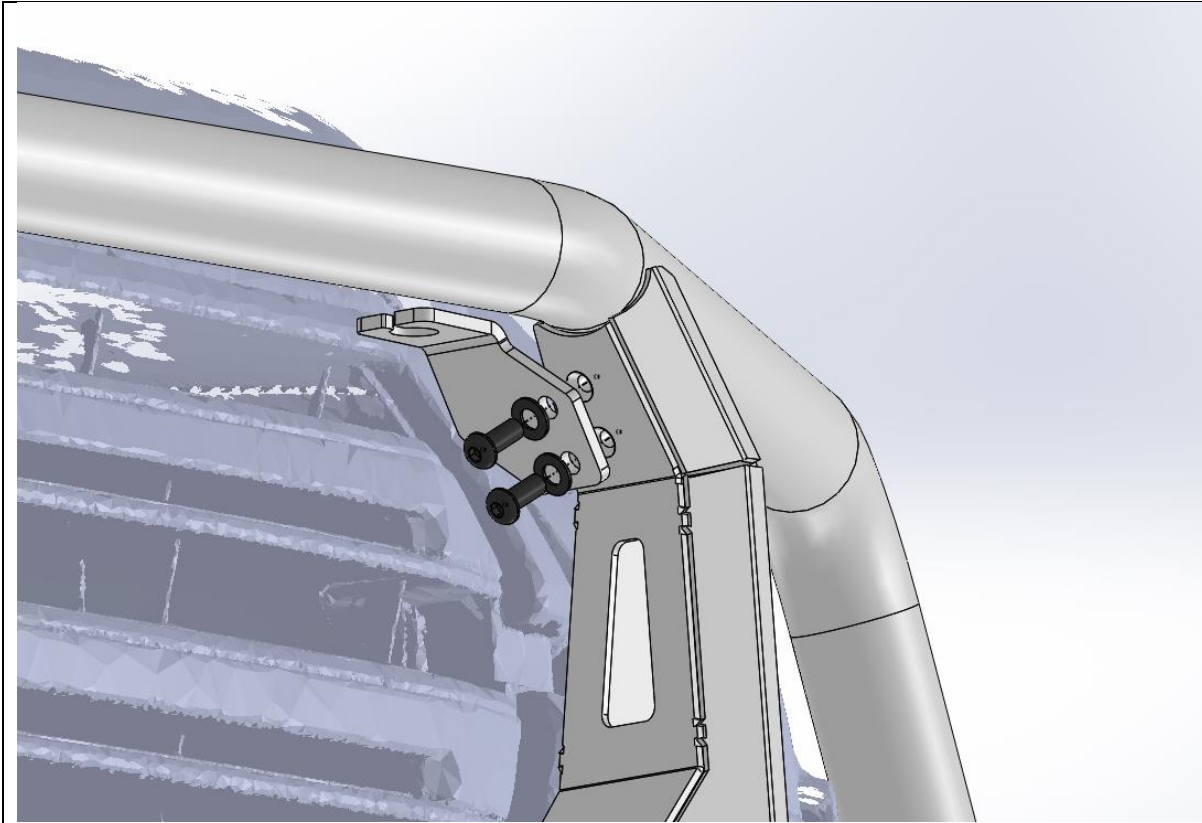
97. Tighten all under panel bolts

98. Complete for other side of vehicle.

TOOLS REQUIRED

Utility Knife
13mm Spanner
5mm Allen Wrench
4mm Allen Wrench

FASTENERS



99. If fitting antenna to Torro bar, fit the antenna brackets to the M8 Threaded inserts in the uprights. Note that brackets are handed.

100. Tighten with 5mm Allen wrench

101. Fit Antenna to the bracket as per antenna manufacturer's instructions

102. Retain unused brackets for future use.

TOOLS REQUIRED

5MM Allen Key

FASTENERS

2x M8x20 Button Head Screw
2x M8 Black Flat Washer



103. Check all Fasteners are tight.
104. Re-Fit number plate to number plate flip.
105. Head Bush and Enjoy your newly protected 200 series!

For contact details see www.offroadanimal.com